



US00D937514S

(12) **United States Design Patent**  
**Zou**

(10) **Patent No.:** **US D937,514 S**  
(45) **Date of Patent:** **\*\* Nov. 30, 2021**

(54) **HAND-HELD VACUUM CLEANER**

FOREIGN PATENT DOCUMENTS

(71) Applicant: **Suzhou CHO Electric Appliance Co., Ltd.**, Suzhou (CN)

CN 306004369 \* 8/2020  
JP D1668008 \* 9/2020  
KR 301085120.0000 \* 12/2020

(72) Inventor: **Zongbin Zou**, Sichuan (CN)

(73) Assignee: **Suzhou CHO Electric Appliance Co., Ltd.**, Suzhou (CN)

(\*\*) Term: **15 Years**

(21) Appl. No.: **29/727,107**

(22) Filed: **Mar. 9, 2020**

(30) **Foreign Application Priority Data**

Oct. 25, 2019 (CN) ..... 201930584917.4

(51) **LOC (13) CL.** ..... **15-05**

(52) **U.S. CL.**  
USPC ..... **D32/22; D32/18**

(58) **Field of Classification Search**  
USPC ..... D32/17, 18, 21, 22, 23, 24, 31; D21/526  
CPC ..... A46B 9/06; A47L 5/24; A47L 5/28; A47L 5/30; A47L 5/34; A47L 7/0004; A47L 9/04; A47L 9/325; A47L 9/1683; A47L 11/302; A47L 11/34; A47L 11/4005; A47L 11/4008; A47L 11/4016; A47L 11/4041; A47L 11/4044; A47L 11/4088; A47L 13/225; B04C 5/185; B08B 3/04; B23Q 11/0046; B23Q 11/0071; E04H 4/1636

See application file for complete search history.

(56) **References Cited**

U.S. PATENT DOCUMENTS

D280,033 S \* 8/1985 Miyamoto ..... D32/18  
D290,894 S \* 7/1987 Miyamoto ..... D32/18  
D296,486 S \* 6/1988 Staubitz ..... D32/22  
D301,783 S \* 6/1989 Adams ..... D32/18  
D303,173 S \* 8/1989 Miyamoto ..... D32/22  
D303,856 S \* 10/1989 Yuen ..... D32/18

(Continued)

OTHER PUBLICATIONS

SUMEI Hand Held Vacuum Cordless, available in Amazon.co.uk, date first available date Oct. 12, 2020 [online], [site visited date May 17, 2021], Available from the internet URL: [https://www.amazon.co.uk/dp/B08HLQZVRN/ref=cm\\_sw\\_em\\_r\\_mt\\_imm\\_awdb\\_076GQT82V3T09R0QPV58?\\_encoding=UTF8&psc=1](https://www.amazon.co.uk/dp/B08HLQZVRN/ref=cm_sw_em_r_mt_imm_awdb_076GQT82V3T09R0QPV58?_encoding=UTF8&psc=1) (Year: 2020).\*

(Continued)

*Primary Examiner* — Dana K Weiland

*Assistant Examiner* — Jennylou M Binas

(74) *Attorney, Agent, or Firm* — Wayne IP LLC

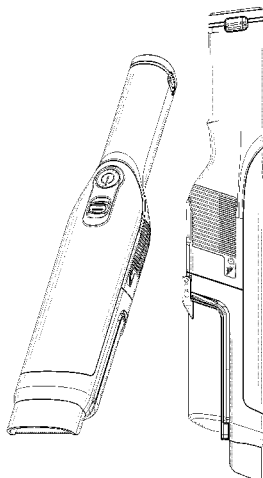
(57) **CLAIM**

The ornamental design for a hand-held vacuum cleaner, as shown and described.

**DESCRIPTION**

FIG. 1 is a perspective view of hand-held vacuum cleaner showing my new design;  
FIG. 2 is a front elevation view thereof;  
FIG. 3 is a back elevation view thereof;  
FIG. 4 is a left side view thereof;  
FIG. 5 is a right side view thereof;  
FIG. 6 is an enlarged top plan view thereof;  
FIG. 7 is an enlarged bottom plan view thereof; and,  
FIG. 8 is an enlarged view of the hand-held vacuum cleaner shown within the area designated as 8 in FIG. 4.  
The broken ones in the drawings illustrate portions of the hand-held vacuum cleaner and form no part of the claimed design. The dashed broken line in FIG. 8 shows the boundary of the enlarged view and forms no part of the claimed design.

**1 Claim, 8 Drawing Sheets**



(56)

References Cited

U.S. PATENT DOCUMENTS

D314,650	S	*	2/1991	Pudwill .....	D32/18
D323,725	S	*	2/1992	Gierke .....	D32/15
D348,548	S	*	7/1994	Pino .....	D32/18
5,337,443	A	*	8/1994	Steinberg .....	A47L 5/225
					15/344
D364,013	S	*	11/1995	Klingspor .....	D32/18
D398,099	S	*	9/1998	Leung .....	D32/22
D405,929	S	*	2/1999	Sovis .....	D32/22
D433,546	S	*	11/2000	Milanese .....	D32/17
D448,895	S	*	10/2001	Andreas .....	D32/18
D641,112	S	*	7/2011	Lee .....	D32/34
D648,496	S	*	11/2011	Luyckx .....	D32/18
D743,125	S	*	11/2015	Lee .....	D32/22
D807,598	S	*	1/2018	Houghton .....	D32/18
D812,829	S	*	3/2018	Shin .....	D06F 87/00
					D32/25
D861,268	S	*	9/2019	Meyer .....	D32/22
D873,516	S	*	1/2020	Palladino .....	D32/32
D891,014	S	*	7/2020	Chu .....	D32/18
D911,641	S	*	2/2021	Hu .....	D32/18
D923,888	S	*	6/2021	Liu .....	D32/21
2019/0328188	A1	*	10/2019	Conrad .....	A47L 9/1608

OTHER PUBLICATIONS

E-ACE Portable Handheld Vacuum Cleaner Cordless, available in Amazon.ca, date first available date Dec. 2, 2020 [online], [site visited date May 17, 2021], Available from the internet URL: [https://www.amazon.ca/dp/B08MFBJQQY/ref=cm\\_sw\\_em\\_r\\_mt\\_](https://www.amazon.ca/dp/B08MFBJQQY/ref=cm_sw_em_r_mt_)

imm\_awdb\_0RHZV3FHDKHA50FVBG20?\_encoding=UTF8&pssc=1 (Year: 2020).\*

LAOPAO Car Vacuum Cleaner, Handheld Vacuum Cordless, available in Amazon.co.uk, date first available date Jan. 4, 2021 [online ], [site visited date May 17, 2021], Available from the internet URL: [https://www.amazon.co.uk/dp/B08RYQBQPY/ref=cm\\_sw\\_em\\_r\\_mt\\_imm\\_awdb\\_69N9A99YYHRBBV88C0GC?\\_encoding=UTF8&pssc=1](https://www.amazon.co.uk/dp/B08RYQBQPY/ref=cm_sw_em_r_mt_imm_awdb_69N9A99YYHRBBV88C0GC?_encoding=UTF8&pssc=1) (Year: 2021).\*

Beldray BEL0944SL Revo Cordless Handheld Vacuum Cleaner, available in Amazon.co.uk, date first available date Dec. 1, 2019 [online], [site visited date May 17, 2021], Available from the internet URL: [https://www.amazon.co.uk/Handheld-Lightweight-Powerful-Detachable-WV201/dp/B07FX5K4D6/ref=sr\\_1\\_3?dchild=1&keywords=Shark+W1%2C+Handheld+Vacuum&qid=1620182094&s=kitchen&sr=1-3](https://www.amazon.co.uk/Handheld-Lightweight-Powerful-Detachable-WV201/dp/B07FX5K4D6/ref=sr_1_3?dchild=1&keywords=Shark+W1%2C+Handheld+Vacuum&qid=1620182094&s=kitchen&sr=1-3) (Year: 2019).\*

Manli Cordless Vacuum Cleaner, available in Amazon.co.uk, date first available date Dec. 1, 2019 [online], [site visited date May 17, 2021], Available from the internet URL: [https://www.amazon.co.uk/dp/B0872BM1Z1/ref=cm\\_sw\\_em\\_r\\_mt\\_imm\\_awdb\\_Y15DVDHSHAVYG9NS5MDK?\\_encoding=UTF8&pssc=1](https://www.amazon.co.uk/dp/B0872BM1Z1/ref=cm_sw_em_r_mt_imm_awdb_Y15DVDHSHAVYG9NS5MDK?_encoding=UTF8&pssc=1) (Year: 2019).\*

Shark W1, Handheld Vacuum, available in Amazon.co.uk, date first available Aug. 13, 2018 [online], [site visited May 4, 2021, Available from the internet URL: [https://www.amazon.co.uk/Handheld-Lightweight-Powerful-Detachable-WV201/dp/B07FX5K4D6/ref=sr\\_1\\_3?dchild=1&keywords=Shark+W1%2C+Handheld+Vacuum&qid=1620182094&s=kitchen&sr=1-3](https://www.amazon.co.uk/Handheld-Lightweight-Powerful-Detachable-WV201/dp/B07FX5K4D6/ref=sr_1_3?dchild=1&keywords=Shark+W1%2C+Handheld+Vacuum&qid=1620182094&s=kitchen&sr=1-3) (Year: 2018).\*

[continued X, p. 1] URL: [https://www.amazon.co.uk/Handheld-Lightweight-Powerful-Detachable-WV201/dp/B07FX5K4D6/ref=sr\\_1\\_3?dchild=1&keywords=Shark+W1%2C+Handheld+Vacuum&qid=1620182094&s=Kitchen&sr=1-3](https://www.amazon.co.uk/Handheld-Lightweight-Powerful-Detachable-WV201/dp/B07FX5K4D6/ref=sr_1_3?dchild=1&keywords=Shark+W1%2C+Handheld+Vacuum&qid=1620182094&s=Kitchen&sr=1-3) (Year:2018).\*

\* cited by examiner

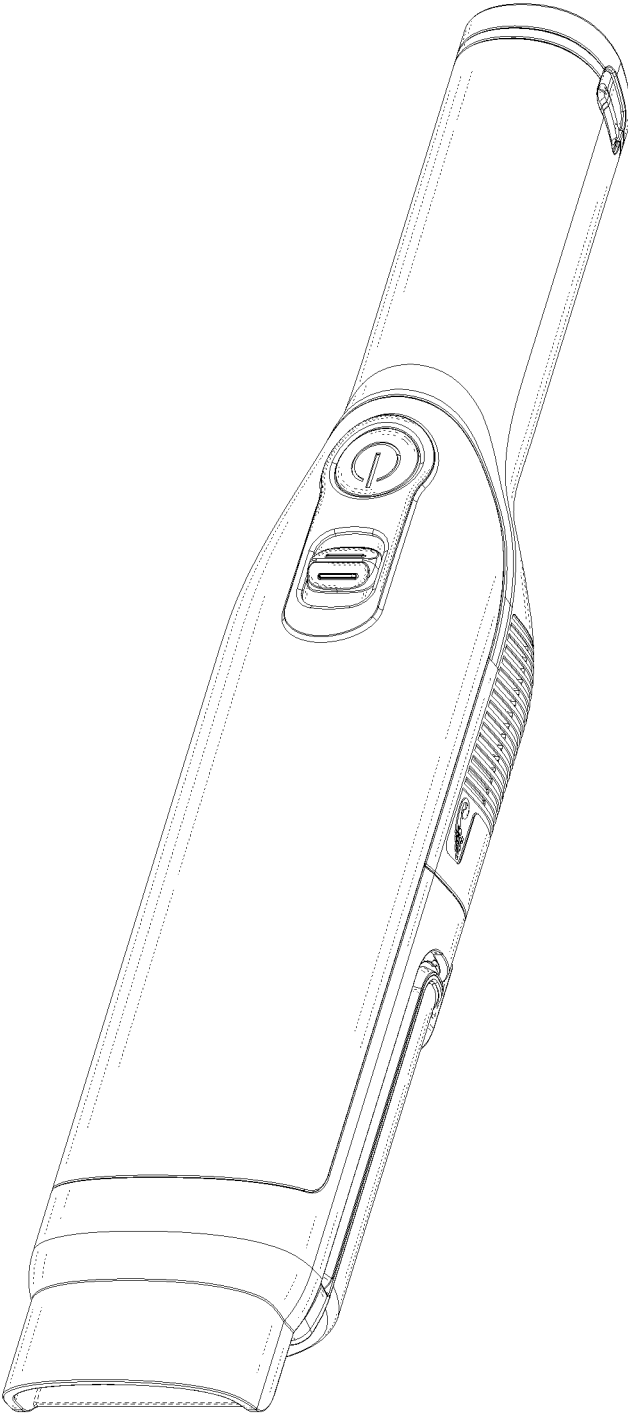


FIG. 1

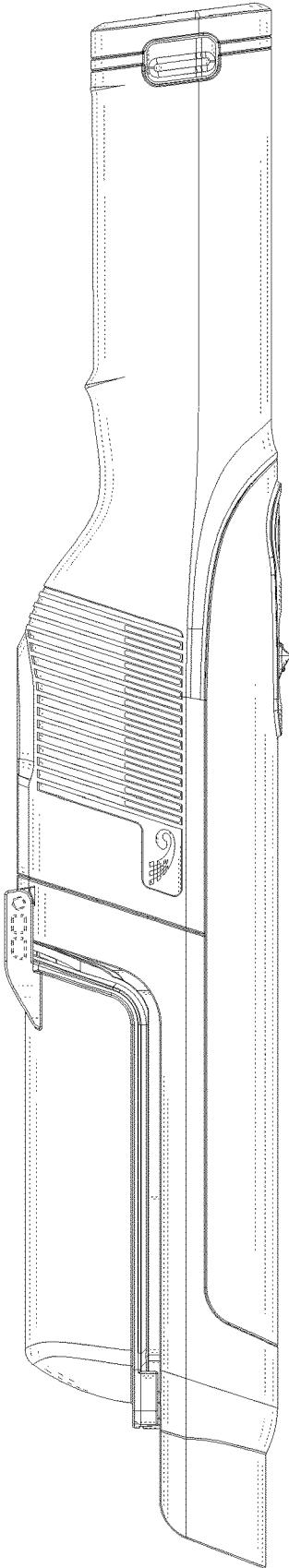


FIG. 2

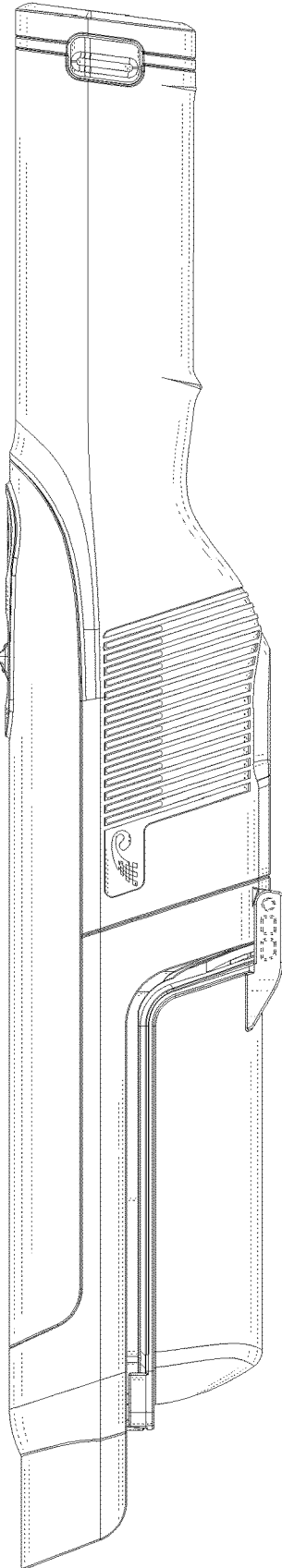


FIG. 3

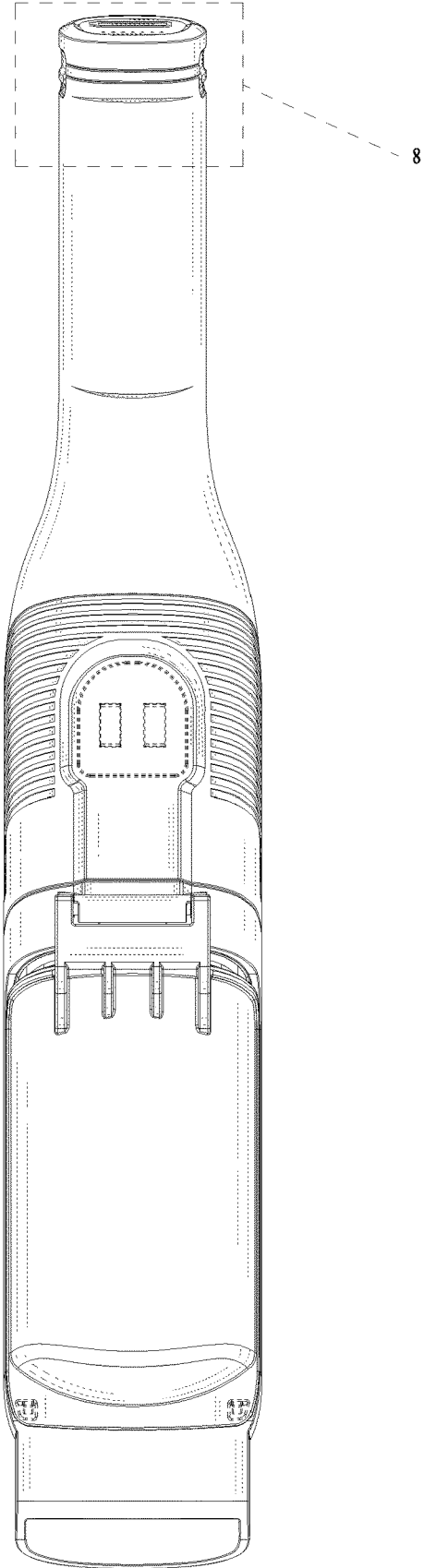


FIG. 4

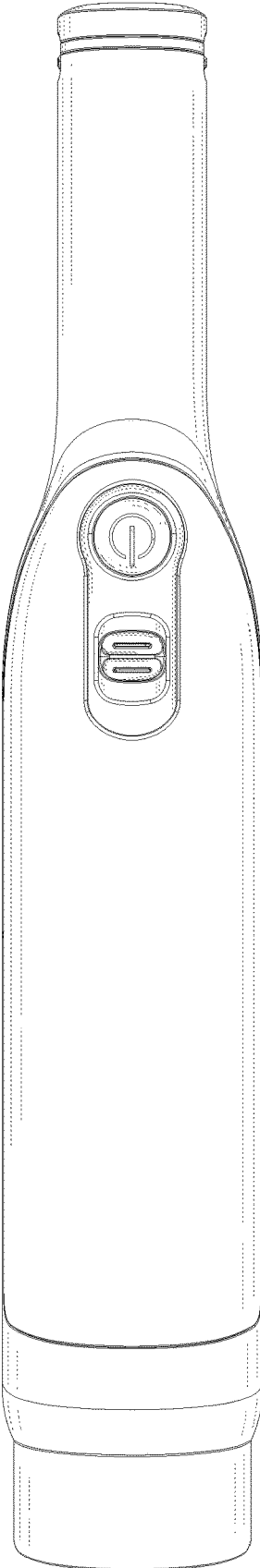


FIG. 5

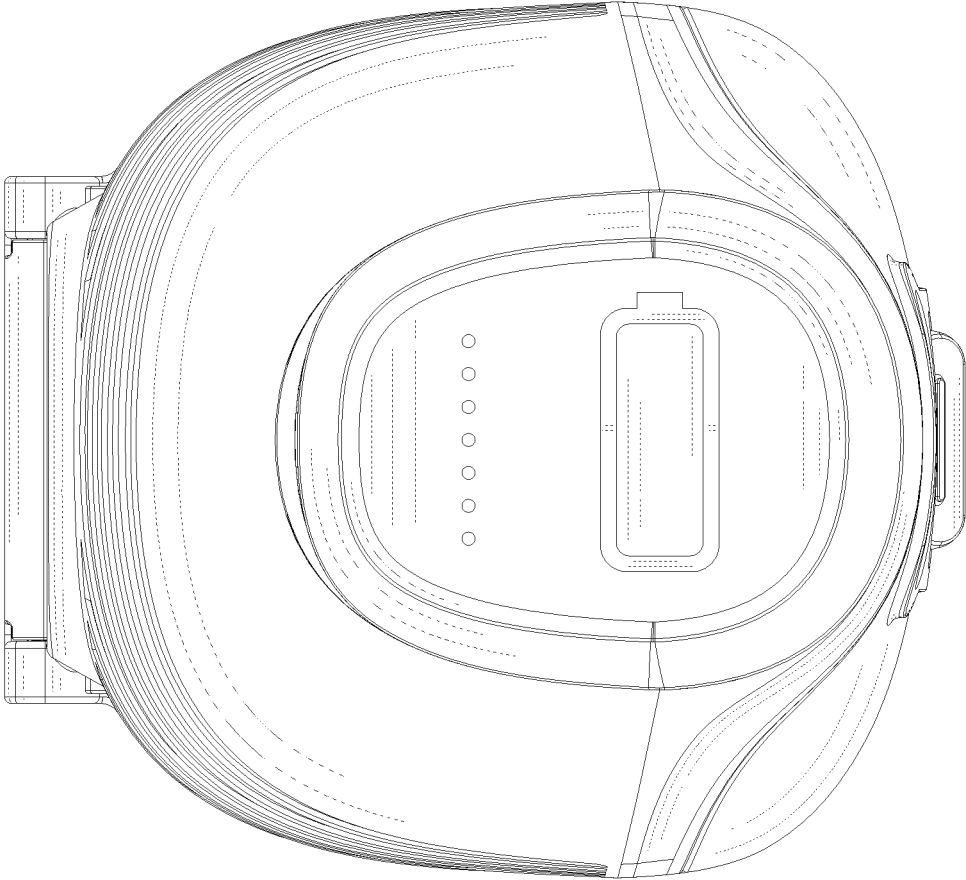


FIG. 6



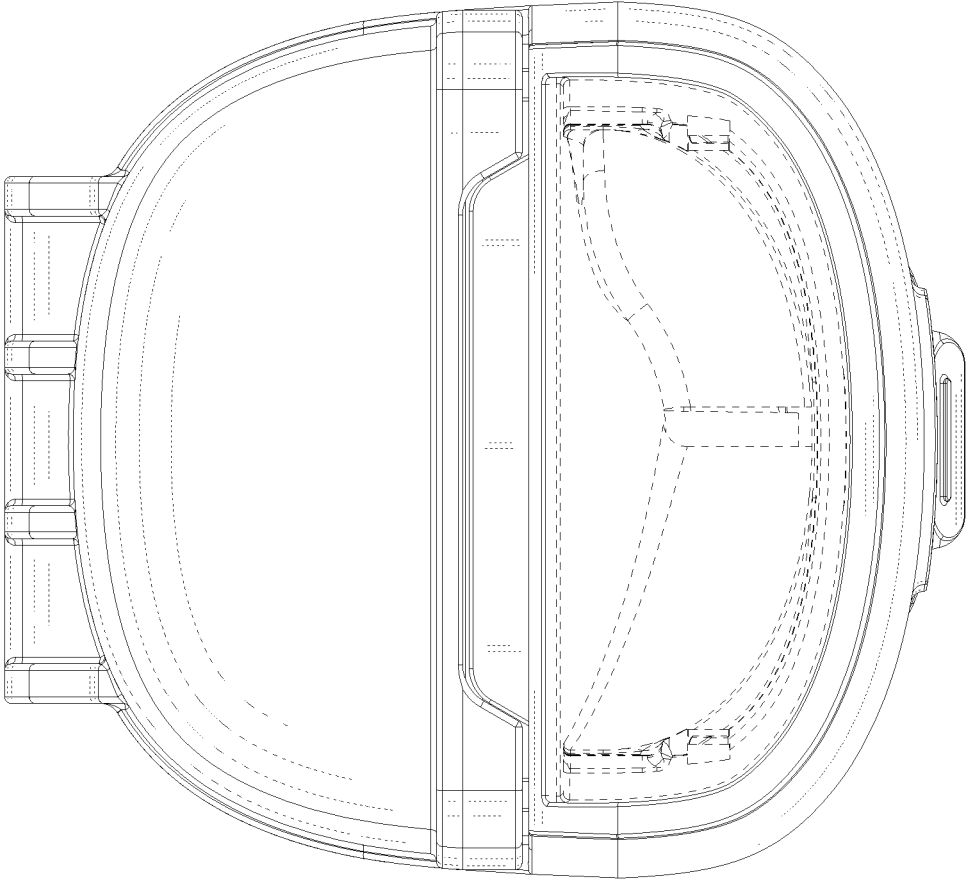


FIG. 7



FIG. 8