



(12) **United States Design Patent**  
**Menceles**

(10) **Patent No.:** **US D612,692 S**  
(45) **Date of Patent:** **\*\* Mar. 30, 2010**

(54) **COMBINATION EATING UTENSIL**

(75) Inventor: **Andrew Menceles**, Toronto (CA)

(73) Assignee: **Gabi Concepts Ltd.**, Toronto, Ontario (CA)

(\*\*) Term: **14 Years**

(21) Appl. No.: **29/341,727**

(22) Filed: **Aug. 11, 2009**

(51) **LOC (9) Cl.** ..... **07-03**

(52) **U.S. Cl.** ..... **D7/643**

(58) **Field of Classification Search** ..... D7/368,  
D7/395, 401.2, 642-646, 649-654, 660-669,  
D7/675-676, 683, 688-692, 695-696; D8/10,  
D8/36, 75, 80, 99, 102, 107, 300; 30/137,  
30/141-143, 147-150, 322-327, 329, 340,  
30/342-346; 416/70 R

See application file for complete search history.

(56) **References Cited**

**U.S. PATENT DOCUMENTS**

32,916 A	7/1861	Richards	
34,098 A	1/1862	Hardie et al.	
34,338 A	2/1862	Ulmer	
51,957 A	1/1866	Minor	
854,745 A *	5/1907	King	30/150
1,053,387 A	2/1913	Hawley	
1,229,696 A	6/1917	Woods	
1,425,750 A	8/1922	Crawford	
1,488,463 A	4/1924	Abram	
2,105,382 A	1/1938	Van Horn	
2,496,296 A	2/1950	Lobl	
2,555,788 A	6/1951	Donaldson	
2,674,793 A	4/1954	Dominick	
D220,205 S	3/1971	Saila	
4,037,081 A	7/1977	Aldridge et al.	
5,082,115 A	1/1992	Hutcheson	
D342,422 S *	12/1993	Sanford	D7/644
5,415,309 A	5/1995	Wang	
5,445,276 A	8/1995	Gordon	
D401,481 S	11/1998	Boilard et al.	

5,845,403 A	12/1998	Nivin	
D414,988 S *	10/1999	Santini	D7/644
5,975,334 A	11/1999	Mayo	
6,144,016 A	11/2000	Garvin	
D466,764 S	12/2002	Haythornthwaite et al.	
D509,708 S *	9/2005	Schmidt	D7/645
7,013,568 B2	3/2006	Schmidt	

(Continued)

**FOREIGN PATENT DOCUMENTS**

WO 2005/013776 A1 2/2005

*Primary Examiner*—Caron Veynar  
*Assistant Examiner*—Ricky Pham  
(74) *Attorney, Agent, or Firm*—Simpson & Simpson, PLLC

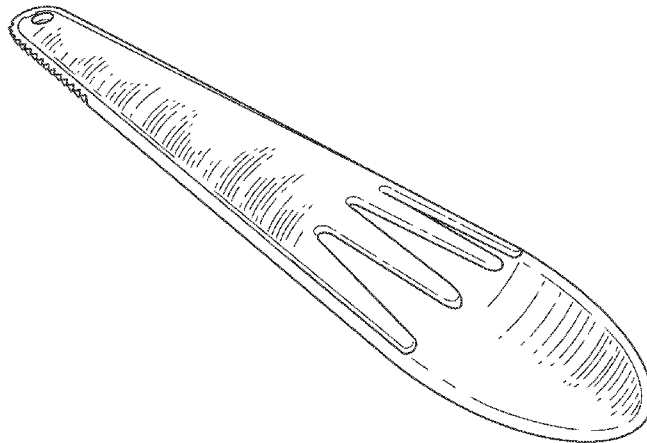
(57) **CLAIM**

The ornamental design for a combination eating utensil, as shown and described.

**DESCRIPTION**

FIG. 1 is a perspective view of the present invention combination eating utensil;  
FIG. 2 is a top plan view of the combination eating utensil;  
FIG. 3 is a bottom plan view of the combination eating utensil;  
FIG. 4 is a right side elevational view of the combination eating utensil;  
FIG. 5 is a left side elevational view of the combination eating utensil;  
FIG. 6 is an enlarged front elevational view of the combination eating utensil; and,  
FIG. 7 is an enlarged back elevational view of the combination eating utensil.

**1 Claim, 4 Drawing Sheets**



# US D612,692 S

Page 2

---

U.S. PATENT DOCUMENTS			2006/0226165 A1	10/2006	Panopoulos
D530,986 S	10/2006	Lago-Arenas	2007/0079513 A1	4/2007	Lago-Arenas
D570,163 S	6/2008	Jimenez et al.	2008/0000092 A1	1/2008	Vanguard
D575,593 S *	8/2008	Svartstrom .....	D7/644		* cited by examiner

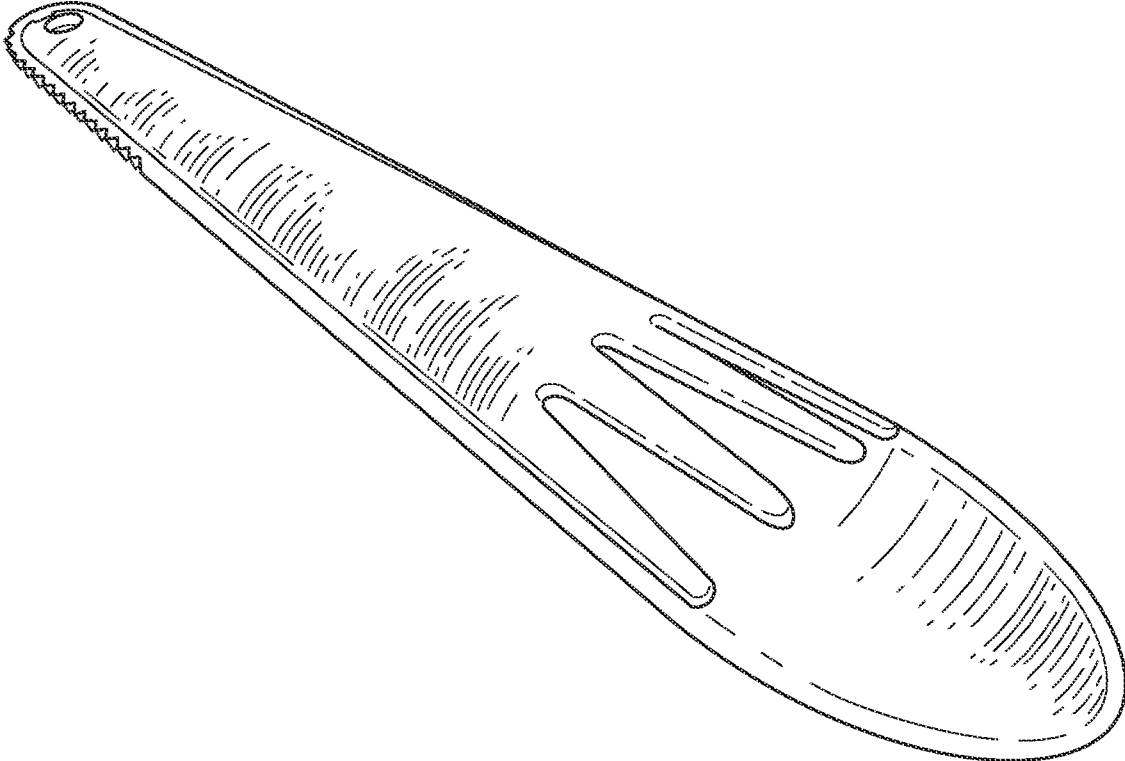


Fig. 1

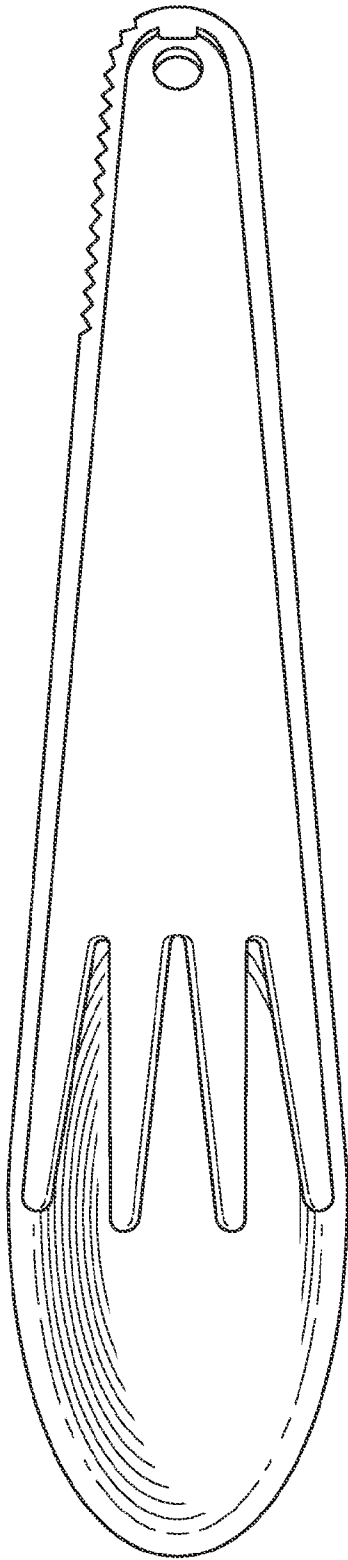


Fig. 2

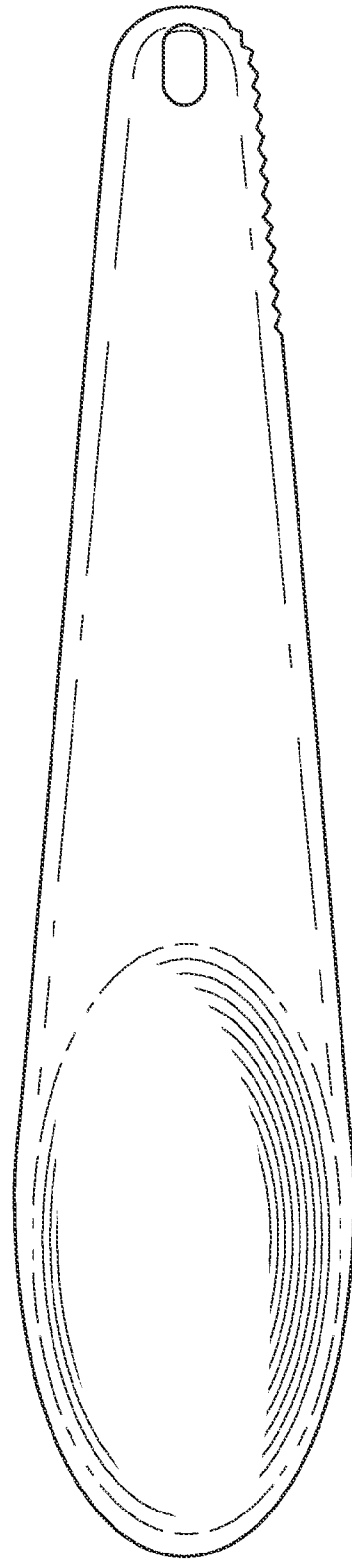


Fig. 3

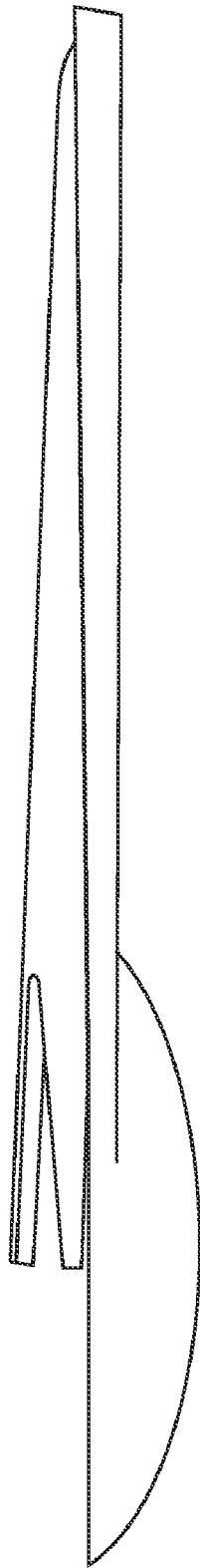


Fig. 4

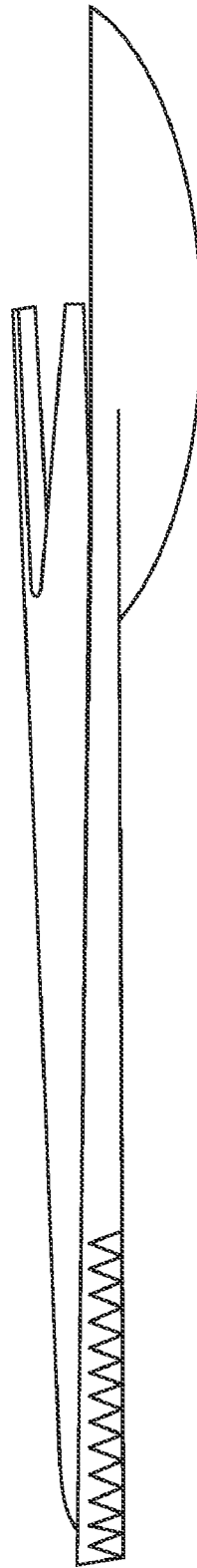


Fig. 5

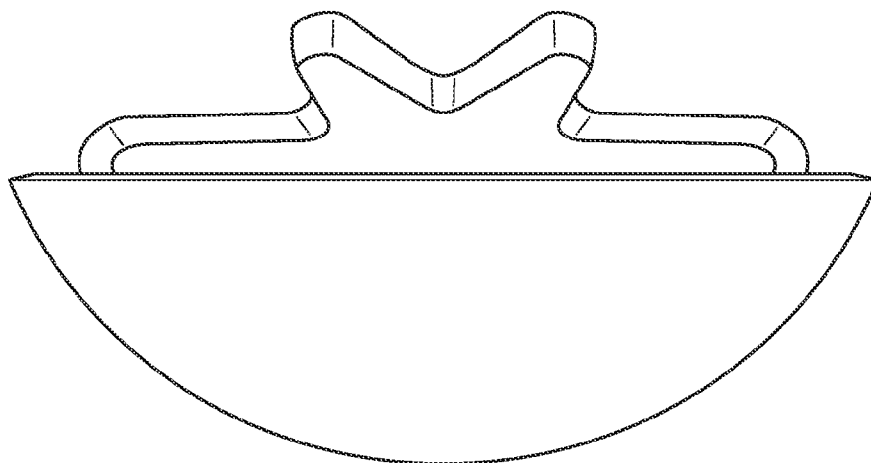


Fig. 6

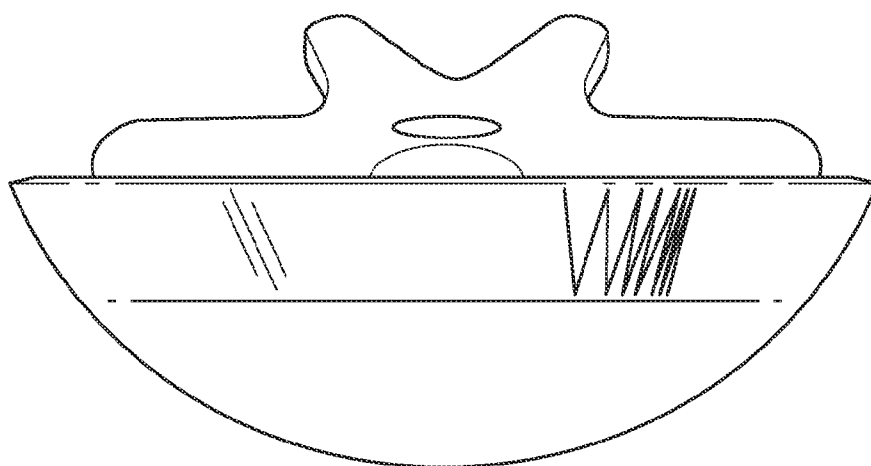


Fig. 7