

(21) Application No: 0720759.0
(22) Date of Filing: 24.10.2007

(71) Applicant(s):
James C Huang
45-4, Jingcheng 3rd Street, West District,
Taichung City, Taiwan

(72) Inventor(s):
James C Huang

(74) Agent and/or Address for Service:
Appleyard Lees
15 Clare Road, HALIFAX, West Yorkshire,
HX1 2HY, United Kingdom

(51) INT CL:
B42F 13/40 (2006.01)

(56) Documents Cited:
GB 2236738 A DE 008808302 U1
JP 020016096 A US 4105182 B
US 3718261 B

(58) Field of Search:
UK CL (Edition X) **B6A, B6E, B6P**
INT CL **B42D, B42F, B43K, B43M**
Other: **EPODOC; WPI; TXTE**

(54) Abstract Title: **A folder with a removable stationery holder**

(57) A folder is disclosed which includes a removable holder 20 for stationery items. The holder is in the form of a strip with retaining means 22 which can hold various stationery items such as pens, pencils, rubbers, knives, staplers etc. The stationery strip can be located in a pocket 14 in the folder or it can be releasably attached to the cover. The strip can be used unfolded or can be folded to form a three-dimensional structure (fig 4) and retained in this shape by a tab 24 engaging in a slot 24 or by a magnetic or other fastener.

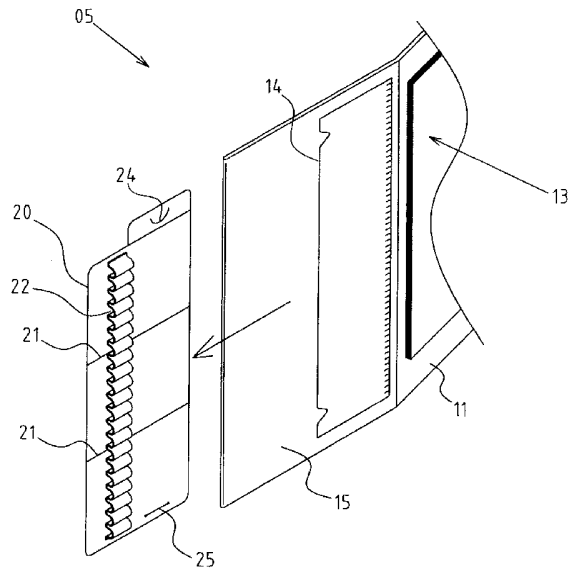


FIG.2

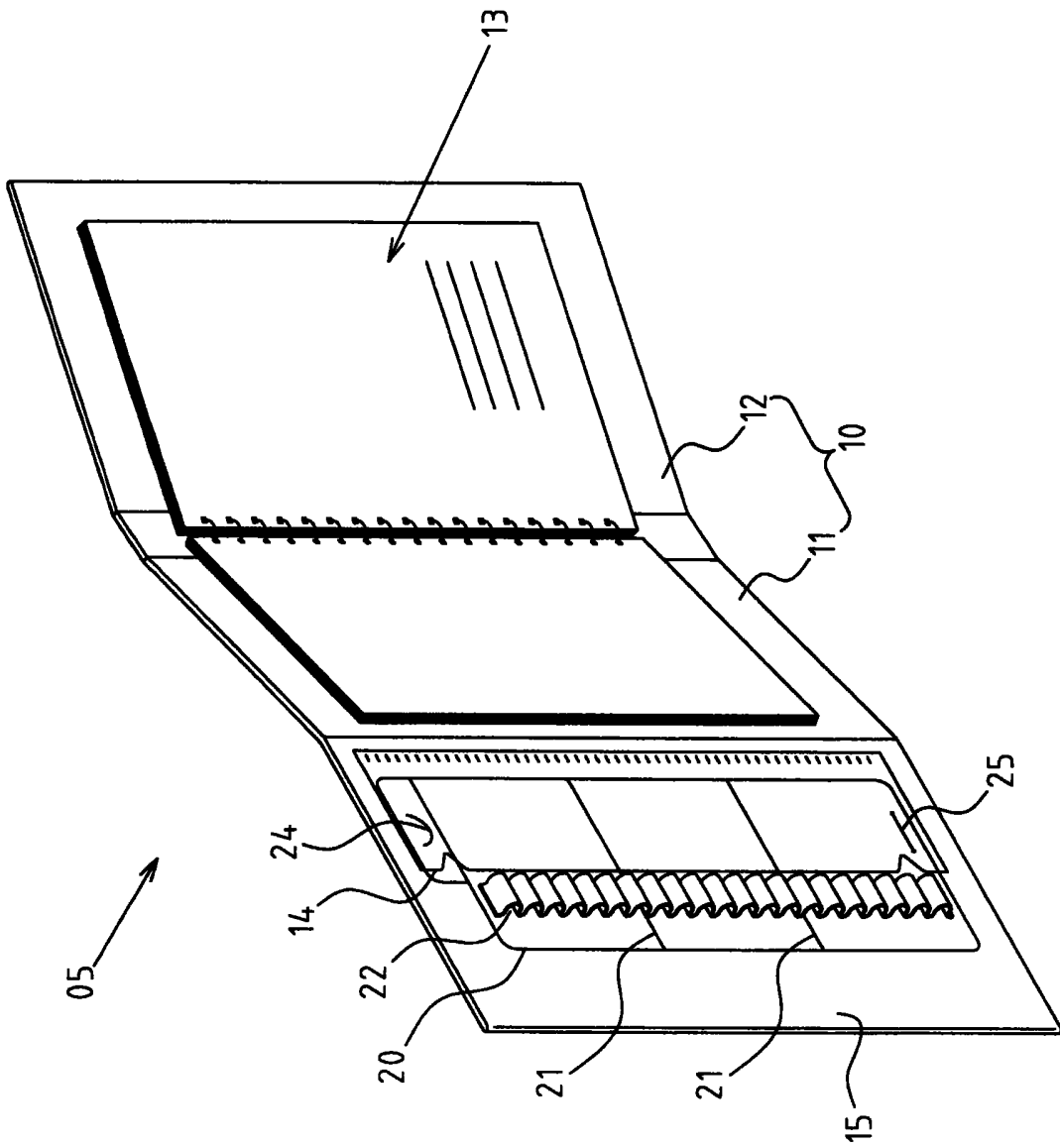


FIG.1

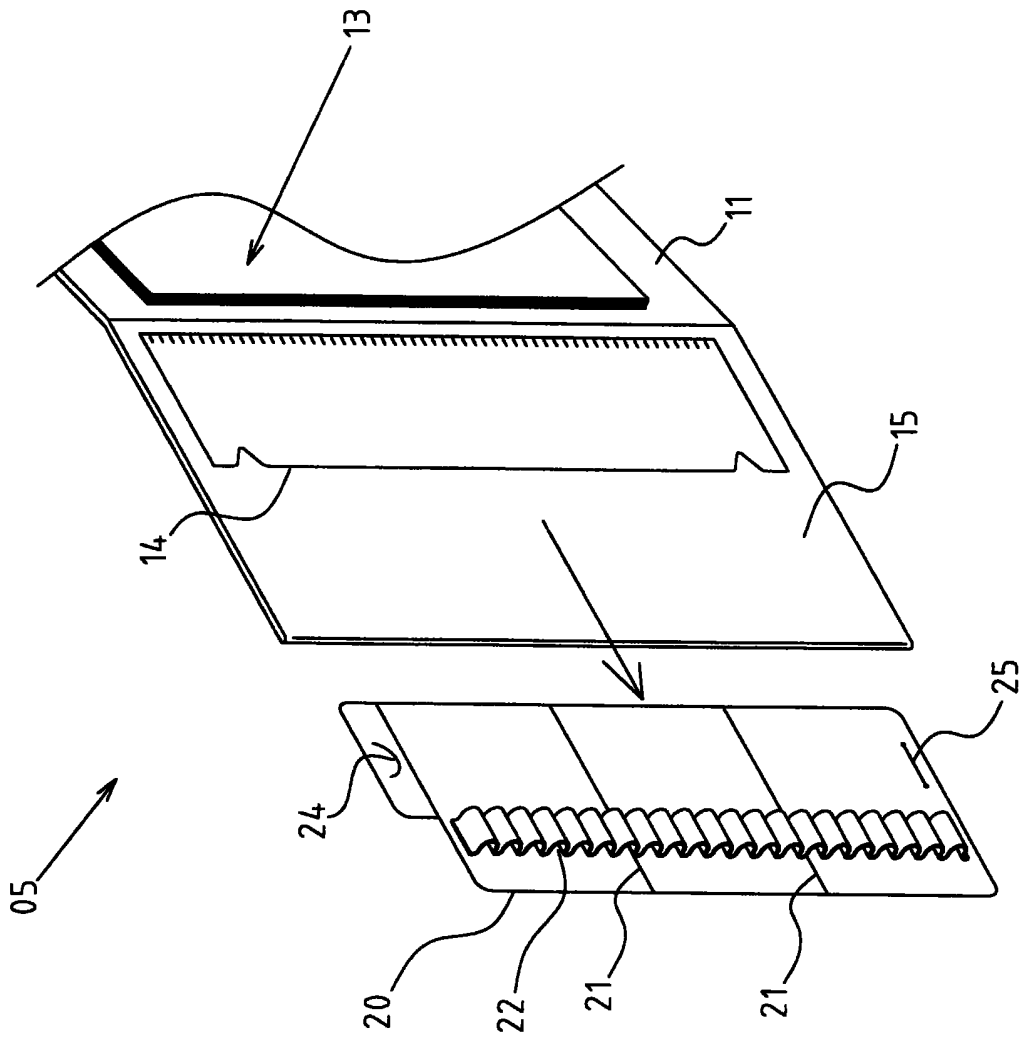


FIG. 2

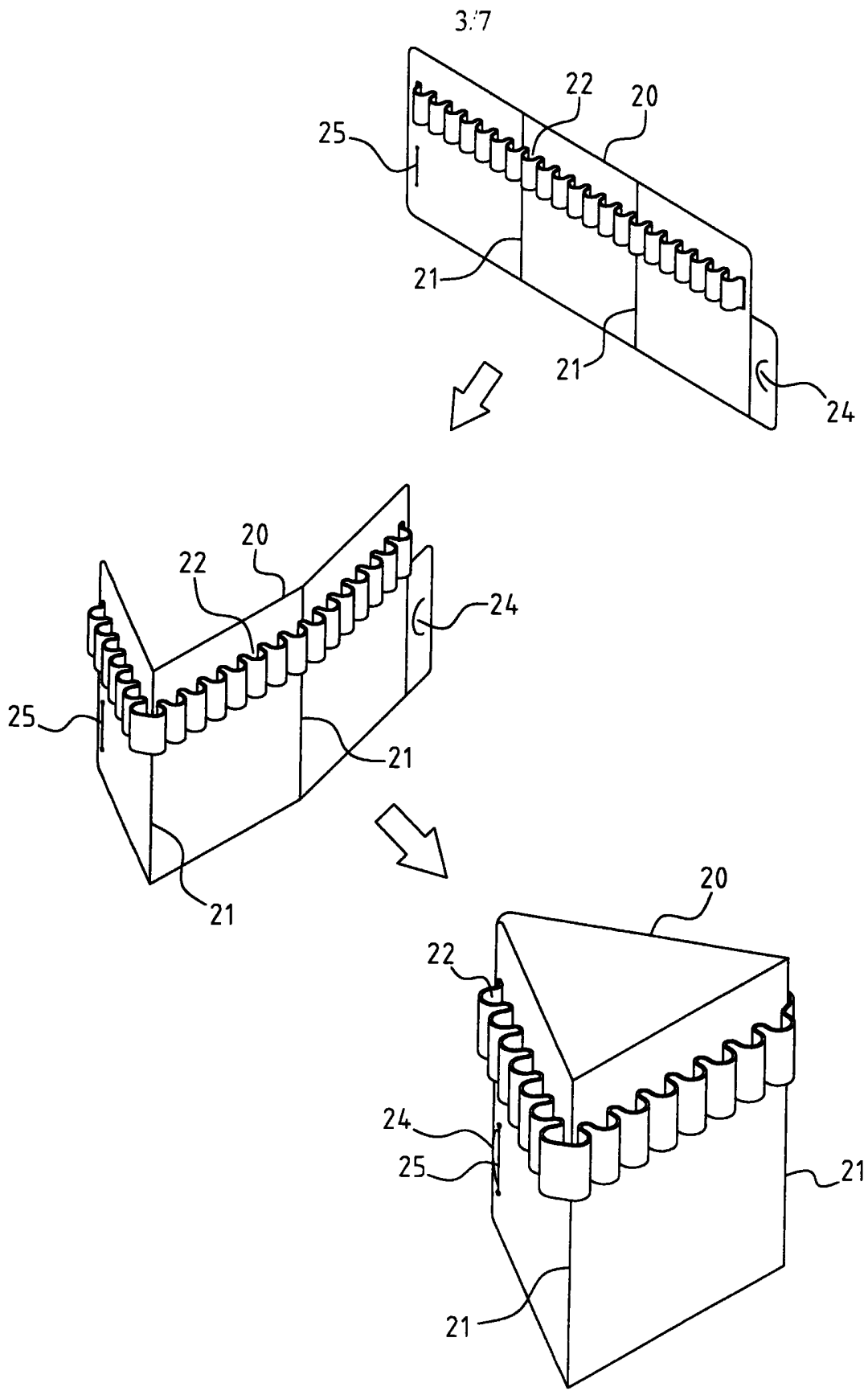


FIG.3

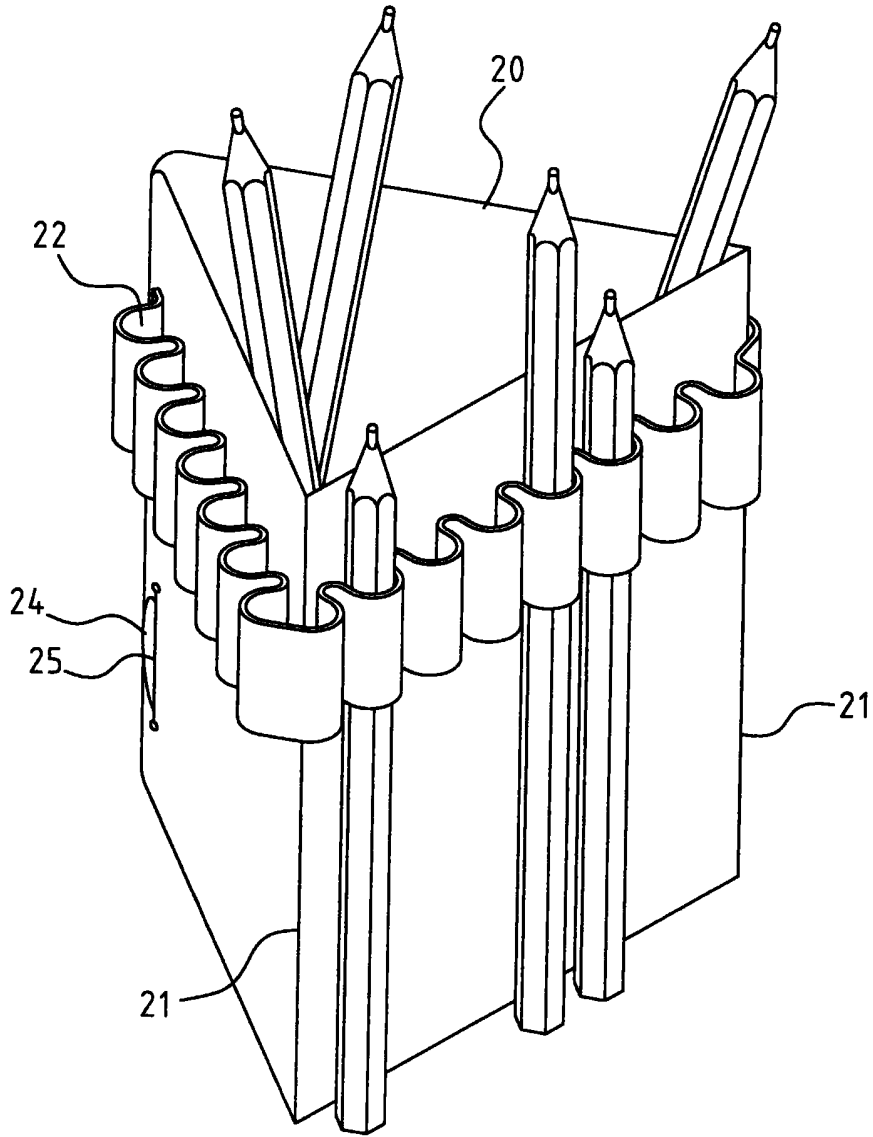


FIG.4

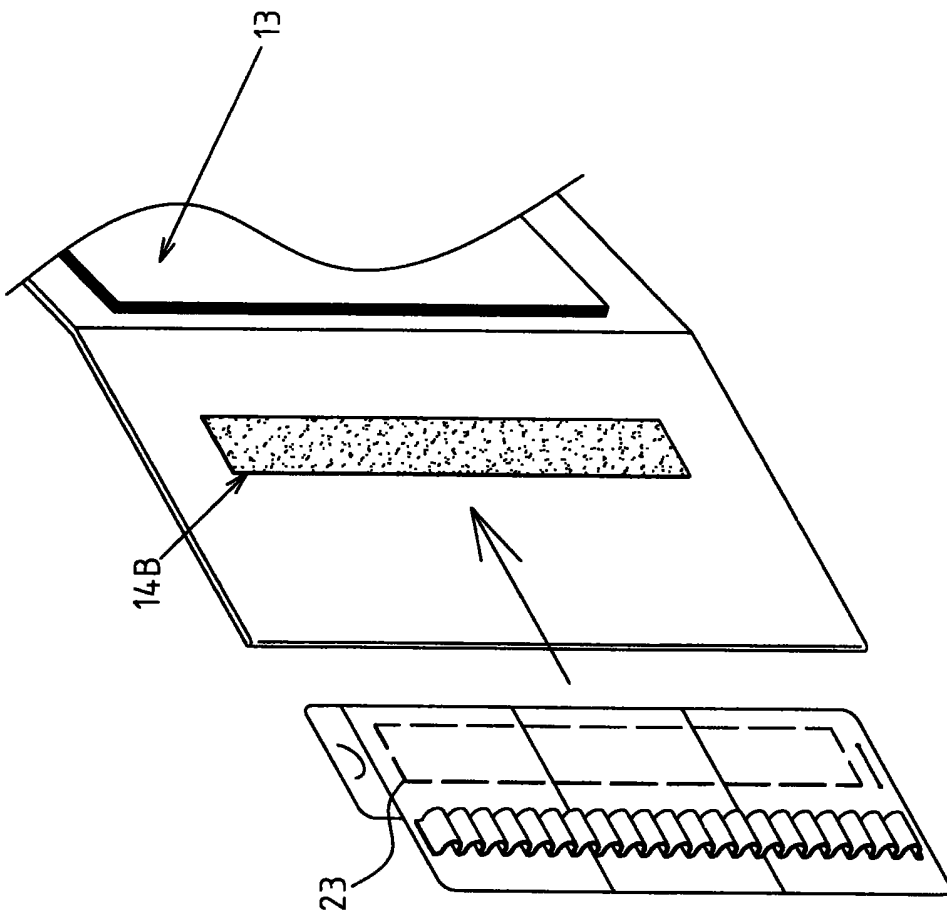


FIG.5

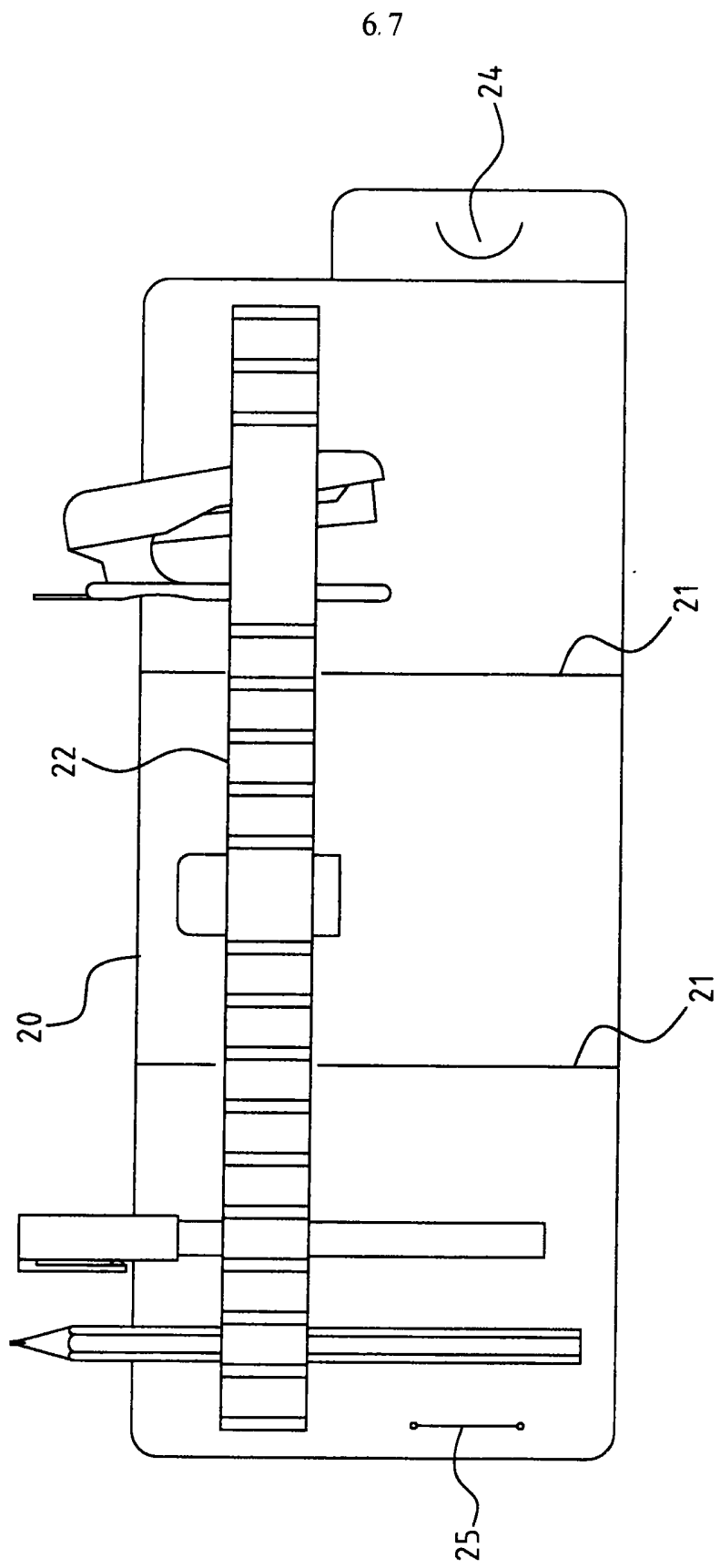


FIG.6

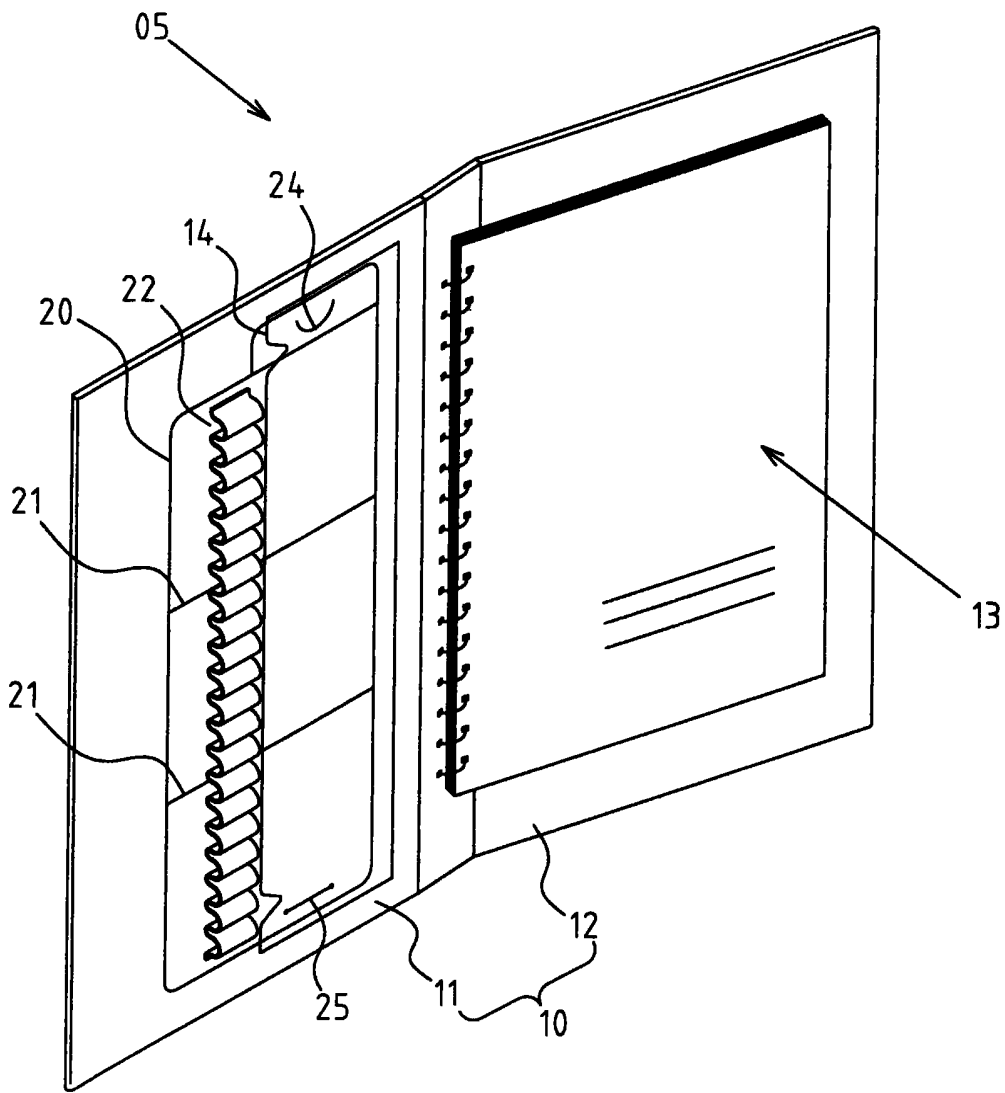


FIG. 7

A FOLDER WITH COMBINED STATIONERY PLUG-IN STRIP**BACKGROUND OF INVENTION**

5 1. Field of the Invention

The present invention relates generally to a folder, and more particularly to an innovative one which is designed with combined stationery plug-in strip.

10

2. Description of Related Art

Folder is a most commonly used stationery device for collecting files such as: sheets, forms, catalogues and
15 business cards.

A typical folder structure is designed mainly for accommodating files, and then developed for positioning a wide array of files. From the perspective of users, the
20 files are often carried together with other auxiliary tools such as: pen/pencils, rubbers, knives and staplers, however, their pick and place features are not considered in the design, or designed very simply without flexibility.

25

Thus, to overcome the aforementioned problems of the prior art, it would be an advancement if the art to provide an improved structure that can significantly improve the efficacy.

30

Therefore, the inventor has provided the present invention of practicability after deliberate design and evaluation based on years of experience in the production,

development and design of related products.

SUMMARY OF THE INVENTION

5 Based upon an innovative design that the stationery
plug-in strip is assembled onto the folder body, the
folder of the present invention can also accommodate other
stationery products; and, the stationery plug-in strip can
be taken out and folded into a 3D casing with higher
10 flexibility; moreover, the users are allowed for
convenient pick& place, thus improving greatly the
functionality and added value of folder with higher
applicability.

15 Although the invention has been explained in relation
to its preferred embodiment, it is to be understood that
many other possible modifications and variations can be
made without departing from the spirit and scope of the
invention as hereinafter claimed.

20

BRIEF DESCRIPTION OF THE DRAWINGS

FIG. 1 shows an assembled perspective view of folder of
the present invention.

25

FIG. 2 shows a perspective view of stationery plug-in
strip of the present invention, which is taken out of
the folder.

30 FIG. 3 shows a general view of stationery plug-in strip
of the present invention, which is folded into a 3D
casing.

Fig. 4 shows a reference view of stationery plug-in strip of the present invention for accommodating pens or pencils.

5 FIG. 5 shows another preferred embodiment of combined locating portion of the present invention.

FIG. 6 shows another preferred embodiment of stationery plug-in portion of the present invention.

10

FIG. 7 shows another preferred embodiment of combined locating portion of the present invention.

DETAILED DESCRIPTION OF THE INVENTION

15

The features and the advantages of the present invention will be more readily understood upon a thoughtful deliberation of the following detailed description of a preferred embodiment of the present
20 invention with reference to the accompanying drawings.

FIGS. 1~2 depict preferred embodiments of folder structure with combined stationery plug-in strip, which, however, are provided for only explanatory objective for
25 patent claims. Said folder 05 comprising:

a folder body 10, which comprises at least two foldable covers 11, 12, between which a file accommodating portion 13 is defined; a combined locating portion 14 is
30 shaped at a preset location of folder body 10; an extended sheet 15 is formed laterally onto cover 11 of the folder body 10, so that the combined locating portion 14 can be assembled onto the surface of extended sheet 15;

a stationery plug-in strip 20, which is assembled onto combined locating portion 14 of the folder body 10; said stationery plug-in strip 20 shall be a long sheet which is arranged at interval with two foldable portions 21 (straight folding); with the foldable portion 21, the stationery plug-in strip 20 can be folded into a 3D triangular casing (shown in FIG. 3); a locating portion (to be described hereunder) is placed at both ends of the stationery plug-in strip 20 to position this triangular casing, and a preset quantity of stationery plug-in portions 22 are assembled laterally onto the stationery plug-in strip 20.

The preferred embodiment of combined locating portion 14 of said folder body 10 is a pocket space as illustrated in FIG. 2, wherein the stationery plug-in strip 20 can be positioned securely; or referring to FIG. 5, the combined locating portion 14B is an adhesive tape 23, which is placed at one side of the stationery plug-in strip 20, thus enabling the stationery plug-in strip 20 to be assembled and positioned; moreover, the combined locating portion 14 has other application mechanisms such as: fasteners and magnetic bodies.

The preferred embodiment of locating portion arranged at both ends of the stationery plug-in strip 20 is shown in FIG. 2, wherein an inserting sheet 24 and a hole 25 are oppositely arranged at both ends of the stationery plug-in strip 20; thus, when the stationery plug-in strip 20 is folded into a 3D casing, both ends are adapted and the inserting sheet 24 can be inserted into the hole 25 for positioning purpose; moreover, said locating portion allows for positioning by coupling the adhesive tape,

fasteners and magnetic bodies.

The stationery plug-in portion 22 of the stationery plug-in strip 20 is formed by adapting a flexible strap onto one surface of stationery plug-in strip 20 in the form of continuous U-shaped profile; the through-hole location of said U-shaped profile is shown in FIG. 4, wherein the aperture can be designed to fit the existing pens or pencils or ballpoint pens; referring also to FIG. 6, the stationery plug-in portion 22 can also be designed into multiple apertures for accommodating various stationery (e.g. pens/pencils, rubbers, knives and staplers)

Based upon above-specified structural design, the present invention is operated as follows:

Referring to FIG. 1, the stationery plug-in strip 20 could be placed into the combined locating portion 14 of the folder body 10, allowing for convenient management and handling of files and stationery; When you intend to use the stationery, you can place the stationery plug-in strip 20 on the table in an unfolded state, or place directly on the folder body 10; furthermore, referring to FIG. 2, the stationery plug-in strip 20 can be taken out from the folder body 10, and then folded into a 3D casing (shown in FIG. 3). Thus, the users could arrange the stationery plug-in strip 20 vertically on the table for convenient application.

30

FIG. 7 depicts another preferred embodiment of the combined locating portion 14, which is assembled at inner side of the cover 11 of folder body 10, thus eliminating

the need of aforementioned extended sheet 15.

Attention is directed to all papers and documents which are filed concurrently with or previous to this specification in connection with this application and
5 which are open to public inspection with this specification, and the contents of all such papers and documents are incorporated herein by reference.

10 All of the features disclosed in this specification (including any accompanying claims, abstract and drawings), and/or all of the steps of any method or process so disclosed, may be combined in any combination, except combinations where at least some of such features
15 and/or steps are mutually exclusive.

Each feature disclosed in this specification (including any accompanying claims, abstract and drawings) may be replaced by alternative features serving the same,
20 equivalent or similar purpose, unless expressly stated otherwise. Thus, unless expressly stated otherwise, each feature disclosed is one example only of a generic series of equivalent or similar features.

25 The invention is not restricted to the details of the foregoing embodiment(s). The invention extends to any novel one, or any novel combination, of the features disclosed in this specification (including any accompanying claims, abstract and drawings), or to any
30 novel one, or any novel combination, of the steps of any method or process so disclosed.

CLAIMS:

1. A folder with combined stationery plug-in strip, comprising:

5 a folder body, which comprises at least two foldable covers, between which a file accommodating portion is defined;

10 a stationery plug-in strip detachably connected to the folder covers said stationery plug-in strip comprising a sheet which is arranged at intervals with at least two foldable portions; the stationery plug-in strip being arranged to be folded into a 3D casing; a locating portion placed at both end regions of the stationery
15 plug-in strip to position this 3D casing, and a plurality of stationery plug-in portions located laterally onto the stationery plug-in strip.

2. A folder and combined stationery plug-in strip as
20 claimed in Claim 1 in which the sheet includes two foldable portions enabling the strip to be folded into a 3D triangular casing. .

3. A folder with combined stationery plug-in strip,
25 comprising:

a folder body, which comprises at least two foldable covers, between which a file accommodating portion is defined; combined locating portion is shaped at a preset
30 location of folder body;

a stationery plug-in strip, which is assembled onto combined locating portion of the folder body; said

stationery plug-in strip shall be a long sheet which is arranged at interval with two foldable portions; the stationery plug-in strip can be folded into a 3D triangular casing; a locating portion is placed at both
5 ends of the stationery plug-in strip to position this triangular casing, and a preset quantity of stationery plug-in portions are assembled laterally onto the stationery plug-in strip.

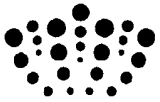
10 4. The structure defined in Claim 1, 2 or 3, wherein the locating portion comprises a pocket space, adhesive tape, fastener or magnetic body or any combination thereof.

15 5. The structure defined in any preceding claim, wherein the locating portion is arranged at both end regions of the stationery plug-in strip is coupled with inserting sheet and hole, adhesive tape, fastener or magnetic body or any combination thereof.

20 6. The structure defined in any preceding claim, wherein the stationery plug-in portion of the stationery plug-in strip is formed by adapting a flexible strap onto surface of stationery plug-in strip in the form of continuous U-shaped profile.

25

7. The structure defined in any preceding claim, wherein an extended sheet is formed laterally onto cover of the folded body, so that the combined locating portion can be assembled onto the surface of extended sheet.



9

Application No: GB0720759.0

Examiner: Mr Neil Franklin

Claims searched: 1-7

Date of search: 7 February 2008

Patents Act 1977: Search Report under Section 17

Documents considered to be relevant:

Category	Relevant to claims	Identity of document and passage or figure of particular relevance
X	1-7	JP02016096 A (KOIZUMI) Note figures & EPODOC abstract
X	1-7	GB 2236738 A (ADDIS) Note p1 lines 6-20
X	1-7	US 4105182 B (JACOBSON) Note figures 1&9
X	1-7	US 3718261 B (WOOFTER) Note whole document
X	1-7	DE 8808302 U1 (FOTO-QUELLE) Note figures

Categories:

X	Document indicating lack of novelty or inventive step	A	Document indicating technological background and/or state of the art.
Y	Document indicating lack of inventive step if combined with one or more other documents of same category.	P	Document published on or after the declared priority date but before the filing date of this invention.
&	Member of the same patent family	E	Patent document published on or after, but with priority date earlier than, the filing date of this application.

Field of Search:

Search of GB, EP, WO & US patent documents classified in the following areas of the UKC^X :

B6A; B6E; B6P

Worldwide search of patent documents classified in the following areas of the IPC

B42D; B42F; B43K; B43M

The following online and other databases have been used in the preparation of this search report

EPODOC; WPI; TXTE

International Classification:

Subclass	Subgroup	Valid From
B42F	0013/40	01/01/2006