



US00D854815S

(12) **United States Design Patent**  
**Jensen**

(10) **Patent No.:** **US D854,815 S**

(45) **Date of Patent:** **\*\* Jul. 30, 2019**

(54) **HOLDER FOR SLEDGEHAMMER**

(71) Applicant: **Ole Johann Jensen**, Oslo (NO)

(72) Inventor: **Ole Johann Jensen**, Oslo (NO)

(\*\*) Term: **15 Years**

(21) Appl. No.: **35/504,927**

(22) Filed: **Mar. 2, 2018**

(80) **Hague Agreement Data**

Int. Filing Date: **Mar. 2, 2018**

Int. Reg. No.: **DM/100959**

Int. Reg. Date: **Mar. 2, 2018**

Int. Reg. Pub. Date: **May 11, 2018**

(51) **LOC (11) Cl.** ..... **03-01**

(52) **U.S. Cl.**  
USPC ..... **D3/215; D11/218**

(58) **Field of Classification Search**

USPC .... D3/215, 220, 221, 328; D8/71, 354, 356,  
D8/373; D29/124; D11/200, 218

CPC ..... Y10T 24/4088; Y10T 24/4091; Y10T  
24/4093; A44B 11/04; A45F 5/021

See application file for complete search history.

(56) **References Cited**

**U.S. PATENT DOCUMENTS**

D130,138 S *	10/1941	Rosenberg	.....	D11/218
2,589,126 A *	3/1952	Payne	.....	A45F 5/021
				224/247
D275,106 S *	8/1984	Hart	.....	D15/5
D283,100 S *	3/1986	Porter	.....	D8/396
5,181,682 A *	1/1993	Indelicato	.....	E06C 7/143
				248/210
D364,333 S *	11/1995	Fillipp	.....	D8/354
D390,101 S *	2/1998	Nygards	.....	D8/395
D415,343 S *	10/1999	Maddox	.....	D3/207
6,176,403 B1 *	1/2001	Svare	.....	A45F 5/00
				224/251
D447,333 S *	9/2001	Phetthaweebancha	.....	D3/215

D453,992 S *	3/2002	Lamanna	.....	D3/220
D464,705 S *	10/2002	Ratliffe	.....	D22/147
D479,117 S *	9/2003	Mercier	.....	D8/354
D487,629 S *	3/2004	Parsons	.....	D3/220
D492,478 S *	7/2004	Hadley	.....	D3/220
D543,693 S *	6/2007	Fishman	.....	D3/207
D616,643 S *	6/2010	Casper	.....	D3/221
D633,415 S *	3/2011	Grimm	.....	D11/218
D635,891 S *	4/2011	Grimm	.....	D11/216
D687,509 S *	8/2013	Iannello	.....	D11/200
D688,118 S *	8/2013	Hobson	.....	D8/356
D688,977 S *	9/2013	Mohr	.....	D11/218
D699,625 S *	2/2014	Grimm	.....	D11/218
D700,541 S *	3/2014	Iannello	.....	D11/218
8,764,360 B2 *	7/2014	Vick	.....	F16B 2/20
				24/198
D712,663 S *	9/2014	Gasparino	.....	D3/328
D713,291 S *	9/2014	Fildan	.....	D11/200
D717,145 S *	11/2014	Tang	.....	D11/218
D718,186 S *	11/2014	Iannello	.....	D11/218
D773,551 S *	12/2016	Clearman	.....	D16/242
D781,572 S *	3/2017	Duval	.....	D3/215
D789,681 S *	6/2017	Grisamore	.....	D3/215
D794,943 S *	8/2017	Schlang	.....	D3/201

(Continued)

*Primary Examiner* — Deanna L Pratt

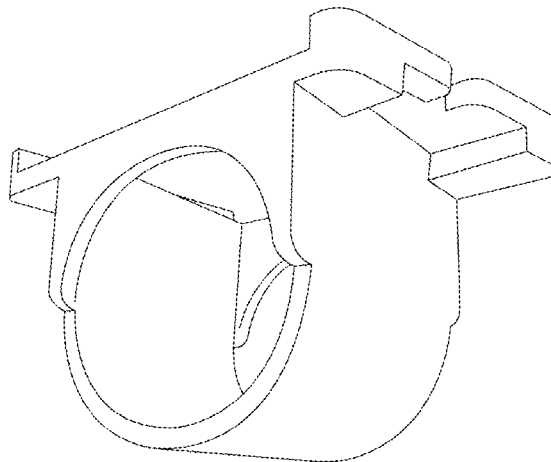
(57) **CLAIM**

The ornamental design for a holder for sledgehammer, as shown and described.

**DESCRIPTION**

1. Holder for sledgehammer
- 1.1 : Front
- 1.2 : Back
- 1.3 : Left
- 1.4 : Right
- 1.5 : Top
- 1.6 : Bottom
- 1.7 : Perspective
- 1.8 : Perspective

**1 Claim, 8 Drawing Sheets**



(56)

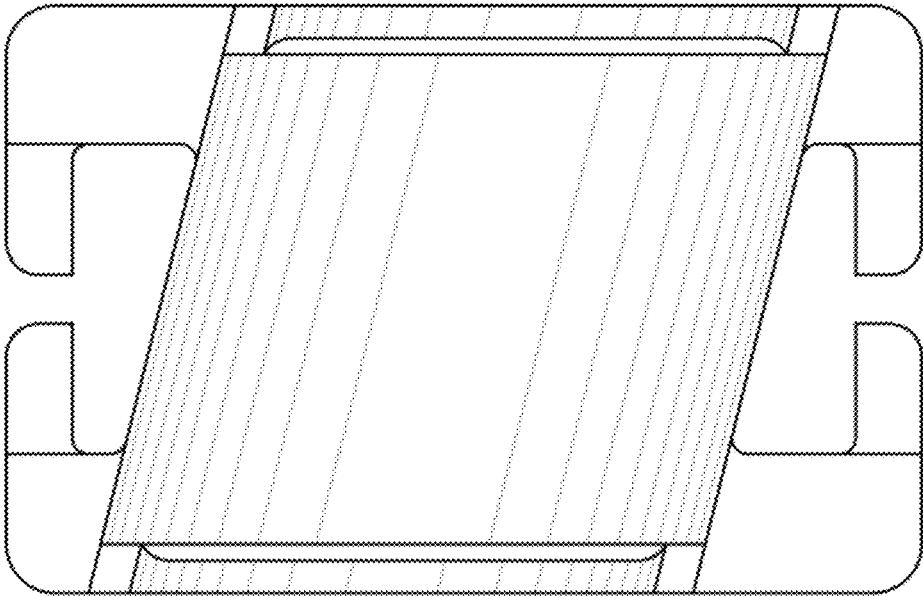
**References Cited**

U.S. PATENT DOCUMENTS

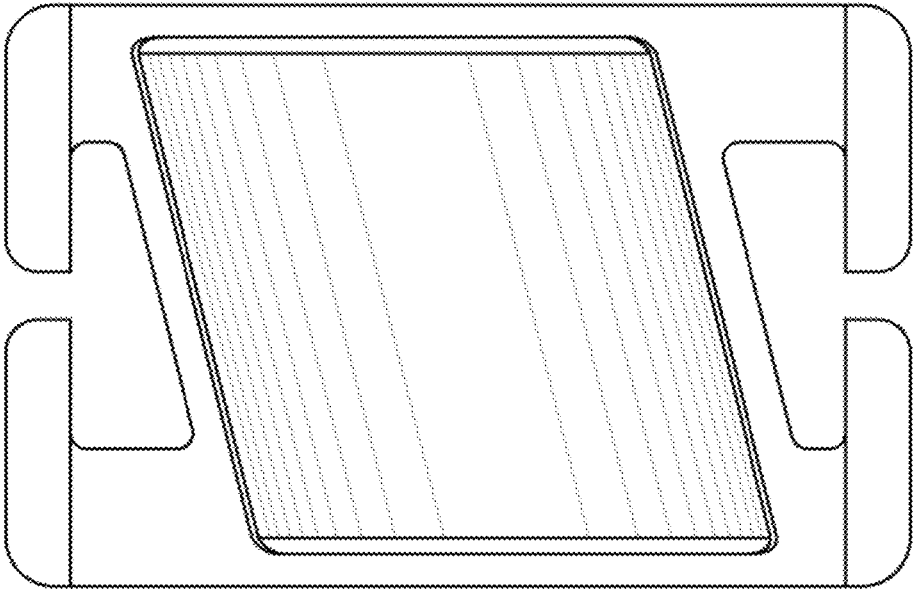
D799,372	S	*	10/2017	Paik	.....	D11/218
D815,982	S	*	4/2018	Chang	.....	D11/218
D817,225	S	*	5/2018	Ressler	.....	D11/218
D830,149	S	*	10/2018	Pippus	.....	D8/71
2016/0047166	A1	*	2/2016	Payne	.....	E06C 7/14 248/205.2

\* cited by examiner

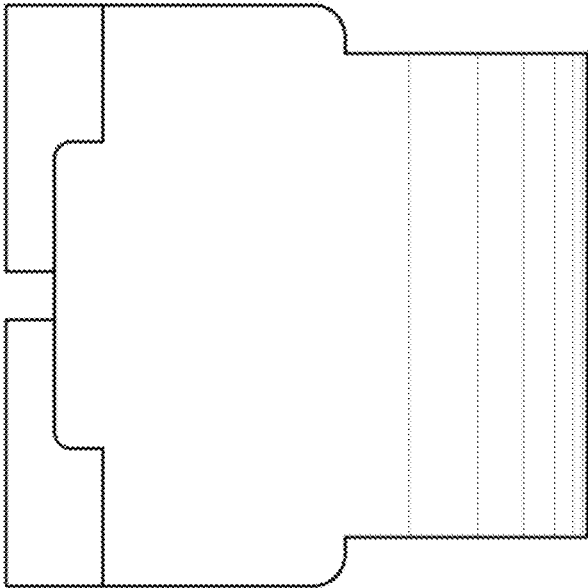
1.1



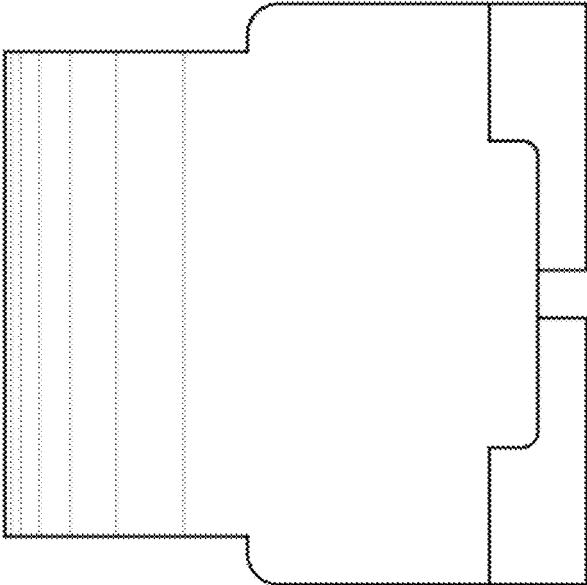
1.2



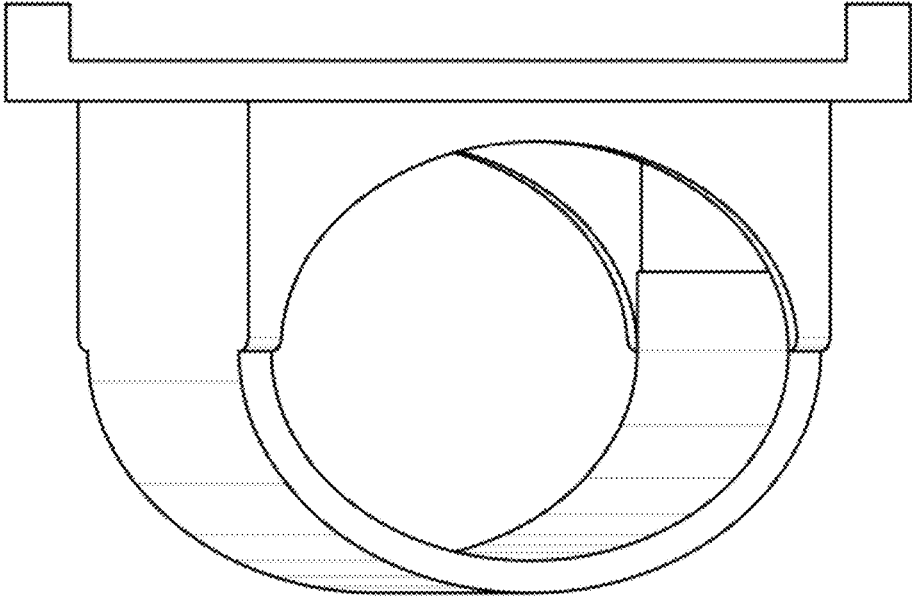
1.3



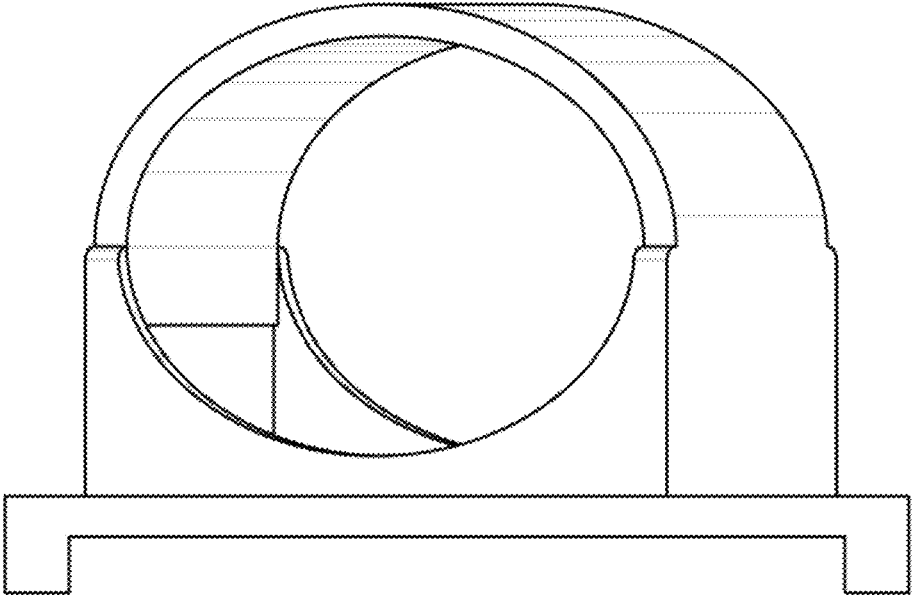
1.4



1.5

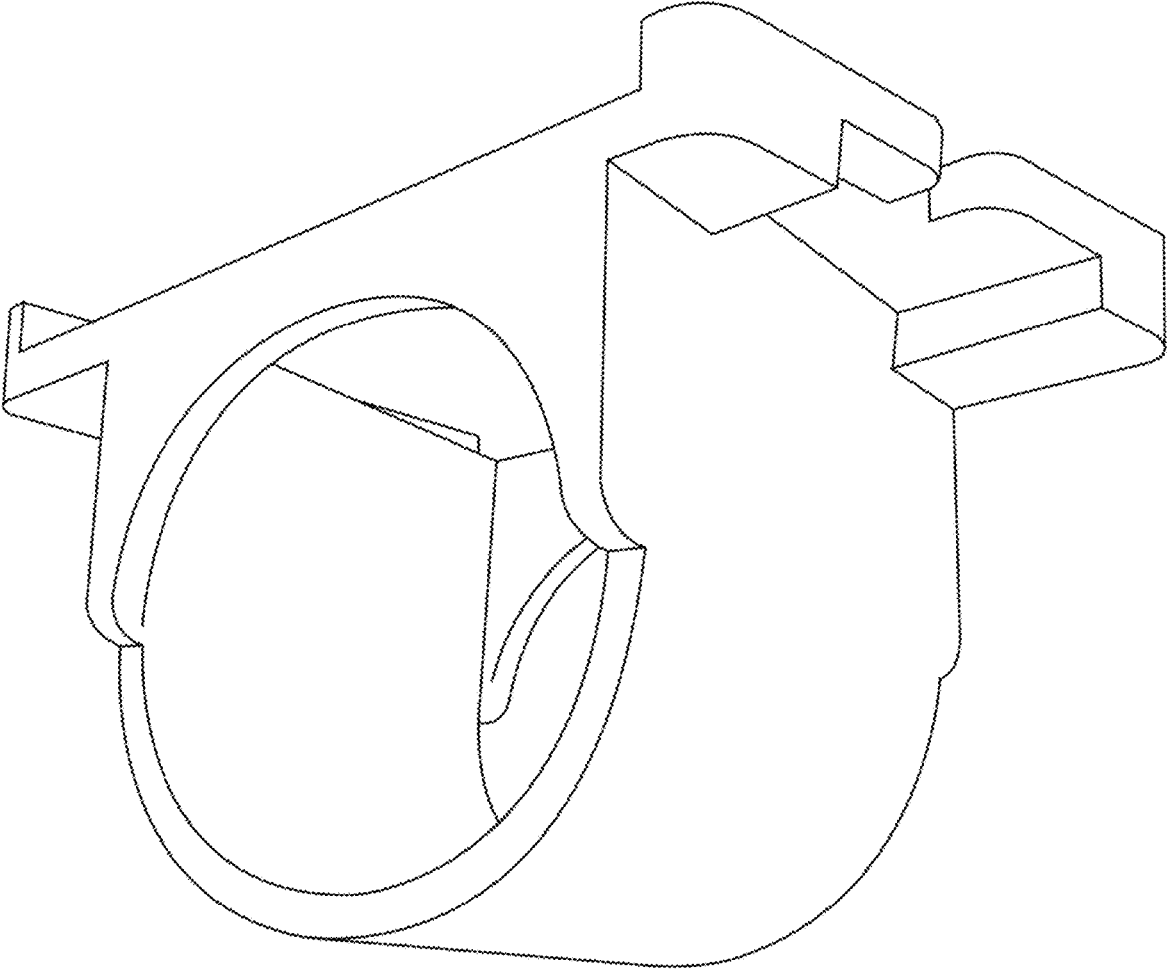


1.6





1.7



1.8

