



US00D837268S

(12) **United States Design Patent**  
**Burrows et al.**

(10) **Patent No.:** **US D837,268 S**  
(45) **Date of Patent:** **\*\* Jan. 1, 2019**

- (54) **LAWNMOWER BLADE**
- (71) Applicant: **HUSQVARNA AB**, Huskvarna (SE)
- (72) Inventors: **James L. Burrows**, Cornelius, NC (US); **David Briney**, Charlotte, NC (US)
- (73) Assignee: **HUSQVARNA AB**, Huskvarna (SE)
- (\*\*) Term: **15 Years**

D598,475 S	8/2009	Roth	
D609,251 S	2/2010	Roth	
D622,740 S	8/2010	Roth et al.	
D649,781 S	12/2011	Nathanson	
D649,782 S	12/2011	Chen et al.	
D649,981 S	12/2011	Roth et al.	
D694,781 S	12/2013	Roth	
D694,782 S	12/2013	Roth	
D723,589 S *	3/2015	Nishihara	..... D15/17
9,113,595 B2	8/2015	Roth et al.	
D758,456 S	6/2016	Poole et al.	
D766,332 S	9/2016	Poole et al.	

(Continued)

(21) Appl. No.: **29/624,351**

(22) Filed: **Oct. 31, 2017**

(51) **LOC (11) Cl.** ..... **15-03**

(52) **U.S. Cl.**  
USPC ..... **D15/17**

(58) **Field of Classification Search**  
USPC ..... D15/14, 17, 28; D8/4-12, 16, 20  
CPC .... A01D 34/67; A01D 34/69; A01D 34/4116;  
A01D 34/4168; A01D 34/47; A01D  
34/53; A01D 34/005; A01D 34/03; A01D  
34/412; A01D 34/416; A01D 34/4165;  
A01D 34/00; A01D 34/43; A01D 34/63;  
A01D 34/661; A01D 34/664; A01D  
34/73; A01D 34/006; A01D 34/64; A01D  
34/82; A01D 34/001; A01D 34/008;  
A01D 34/828; A01D 34/74; A01D 34/78;  
A01D 34/824; A01D 2101/00; A01D  
43/063; A01D 43/077; A01D 43/14;  
A01D 42/005; A01D 42/04; Y10S 56/17;  
Y10S 56/20

See application file for complete search history.

(56) **References Cited**

**U.S. PATENT DOCUMENTS**

D289,524 S *	4/1987	Andersson	..... D15/17
D357,691 S *	4/1995	Bryant	..... D15/17
6,655,119 B2 *	12/2003	Hasei	..... A01D 34/73 56/255
D487,098 S *	2/2004	Arfstrom	..... D15/17

**OTHER PUBLICATIONS**

- U.S. Appl. No. 29/607,976, filed Jun. 19, 2017.
- U.S. Appl. No. 29/624,321, filed Oct. 31, 2017.
- U.S. Appl. No. 29/624,332, filed Oct. 31, 2017.

*Primary Examiner* — Mark A Goodwin  
(74) *Attorney, Agent, or Firm* — McNair Law Firm, P.A.

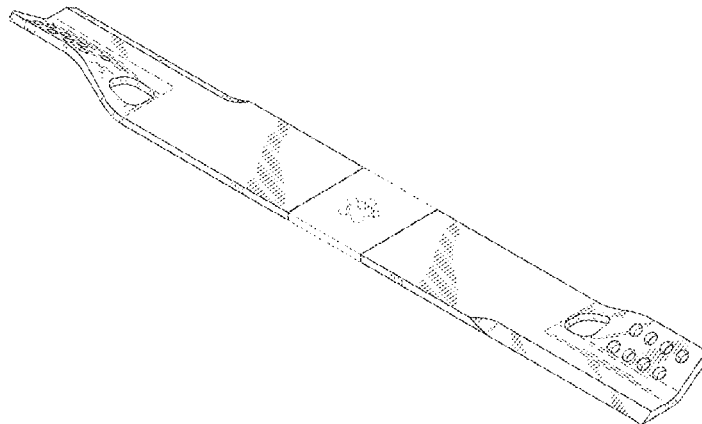
(57) **CLAIM**

The ornamental design for a lawnmower blade, as shown and described.

**DESCRIPTION**

FIG. 1 is a perspective view of a lawnmower blade in accordance with an embodiment of the present invention; FIG. 2 is a top view of the lawnmower blade of FIG. 1; FIG. 3 is a bottom view of the lawnmower blade of FIG. 1; FIG. 4 is a front view of the lawnmower blade of FIG. 1; FIG. 5 is a rear view of the lawnmower blade of FIG. 1; FIG. 6 is a right side view of the lawnmower blade of FIG. 1; and, FIG. 7 is a left side view of the lawnmower blade of FIG. 1. The broken lines of FIGS. 1-7 are illustrative of the visible environmental structure of the lawnmower blade and form no part of the claimed design.

**1 Claim, 4 Drawing Sheets**



(56)

**References Cited**

U.S. PATENT DOCUMENTS

D781,927	S	3/2017	Craven et al.	
D786,310	S	5/2017	Southwell et al.	
9,723,782	B2	8/2017	Roth et al.	
D801,394	S *	10/2017	Southwell	D15/17
D812,443	S *	3/2018	Gonzalez	D8/20
2005/0229573	A1 *	10/2005	Curran	A01D 34/73 56/255
2014/0196428	A1 *	7/2014	Shiotsuki	A01D 34/73 56/289
2015/0082763	A1 *	3/2015	Nishihara	A01D 34/63 56/289
2016/0014957	A1	1/2016	Johansson et al.	

\* cited by examiner

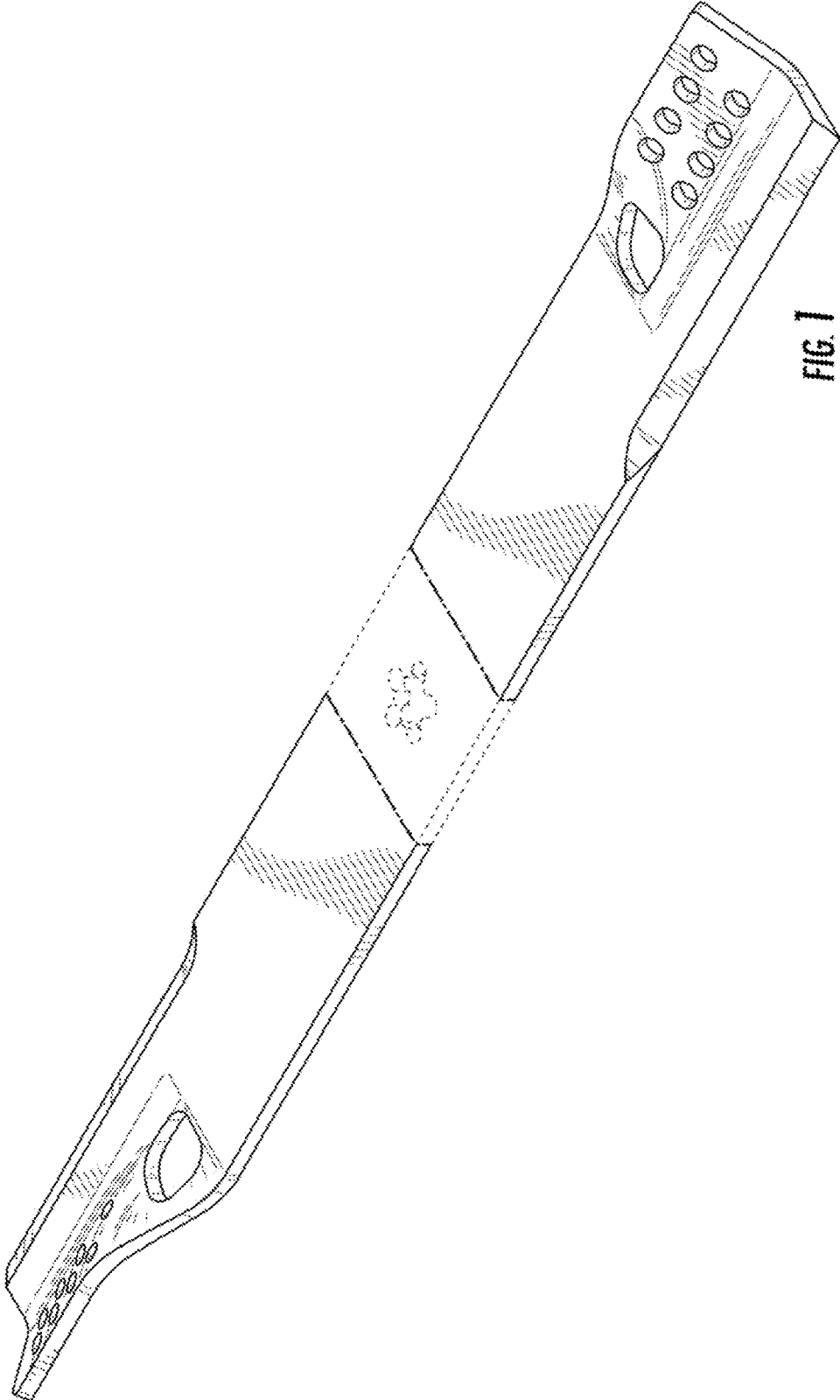


FIG. 1

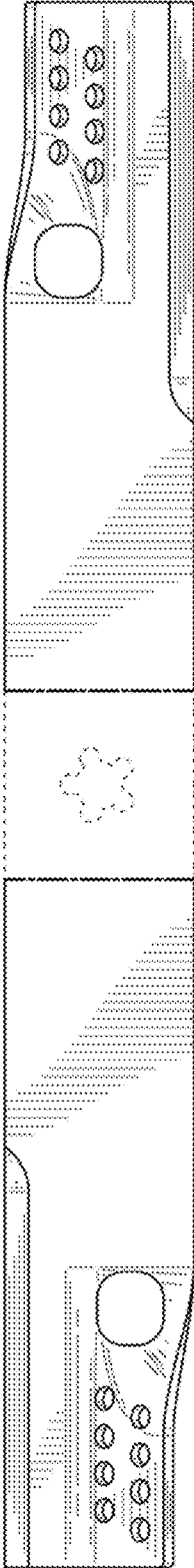


FIG. 2



FIG. 3

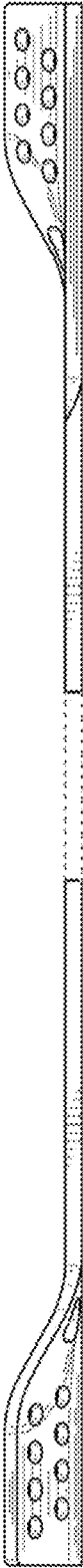


FIG. 4

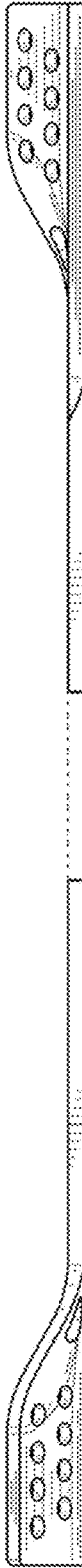


FIG. 5



FIG. 6

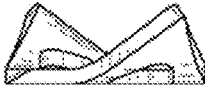


FIG. 7