



US00D834584S

(12) **United States Design Patent**  
**Jung et al.**

(10) **Patent No.:** **US D834,584 S**

(45) **Date of Patent:** **\*\* Nov. 27, 2018**

(54) **STAND FOR MONITOR**

FOREIGN PATENT DOCUMENTS

(71) Applicant: **Samsung Electronics Co., Ltd.**,  
Suwon-si (KR)

CN 301597958 6/2011  
KR 300667787 11/2012

(Continued)

(72) Inventors: **Min-Joon Jung**, Seoul (KR); **Tae-Yeon Won**, Seoul (KR)

*Primary Examiner* — Katie Jane Stofko

(73) Assignee: **SAMSUNG ELECTRONICS CO., LTD.**, Suwon-si (KR)

(74) *Attorney, Agent, or Firm* — McAndrews Held & Malloy, Ltd.

(\*\*) Term: **15 Years**

(21) Appl. No.: **29/598,340**

(57) **CLAIM**

(22) Filed: **Mar. 24, 2017**

The ornamental design for a stand for monitor, as shown and described.

(30) **Foreign Application Priority Data**

Oct. 11, 2016 (KR) ..... 30-2016-0048590

(51) **LOC (11) Cl.** ..... **14-02**

(52) **U.S. Cl.**  
USPC ..... **D14/452**

(58) **Field of Classification Search**

USPC ..... D14/371-382, 125-129, 335-337,  
D14/447-452, 492, 239, 457, 439-441,  
D14/432, 251-253; D8/349, 354, 363,  
D8/373, 376, 380; 348/180, 184, 325,  
348/739, 825; D12/407, 415; D3/218;  
341/12

CPC ..... G06F 3/0412; G06F 3/016; G06F 3/0488;  
G06F 3/011; G06F 3/038; G06F 3/03543;  
G06F 3/0338; G06F 3/0202; G06F  
3/0219; G06F 3/0213; G06F 1/1616;  
G06F 3/023; G06F 3/04883; G02F  
1/13338; G02F 1/1313; G02F 1/1333;  
G02F 1/135; G02F

(Continued)

(56) **References Cited**

U.S. PATENT DOCUMENTS

D578,530 S 10/2008 Hasegawa et al.  
D688,674 S \* 8/2013 Lau ..... D14/452

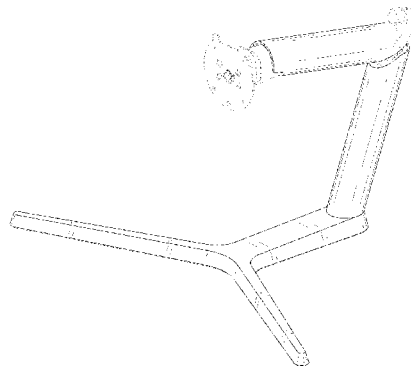
(Continued)

**DESCRIPTION**

FIG. 1 is a front perspective view of a stand for monitor showing our new design;  
FIG. 2 is a front elevation view thereof;  
FIG. 3 is a rear elevation view thereof;  
FIG. 4 is a left-side elevation view thereof;  
FIG. 5 is a right-side elevation view thereof;  
FIG. 6 is a top plan view thereof;  
FIG. 7 is a bottom plan view thereof;  
FIG. 8 is a rear perspective view thereof;  
FIG. 9 is a right-side elevation view thereof, showing the stand for monitor in an alternative configuration;  
FIG. 10 is another right-side elevation view thereof, showing the stand for monitor in an alternative configuration; and  
FIG. 11 is a front perspective view thereof, shown in an environment of use.

The broken lines shown in FIGS. 1-10 illustrate portions of the stand for monitor that form no part of the claimed design. The broken lines illustrating the monitor in FIG. 11 are environment that form no part of the claimed design, while the remaining broken lines in FIG. 11 illustrate portions of the stand for monitor that form no part of the claimed design.

**1 Claim, 9 Drawing Sheets**



(58) **Field of Classification Search**

CPC ..... 1/132; G02F 1/133308; G02F 1/134309;  
 G02F 1/13718; G09G 3/3648; G06K  
 15/1252; B41J 2/465; G03F 7/70291;  
 G02B 27/0172; G02B 5/30; G02B  
 2027/0118; G02B 27/0101; F16M 13/02;  
 F16M 13/00; F16M 11/10; F16M 11/04;  
 F16M 2200/08; F16M 11/2021; A47B  
 21/0314; A47B 88/044; A47B 2021/0335;  
 H02G 3/126; F16B 47/00; F16B 47/006;  
 A47G 1/17; A47K 2201/00

See application file for complete search history.

(56) **References Cited**

U.S. PATENT DOCUMENTS

D690,306	S	*	9/2013	Malisse	.....	D14/447
D733,157	S	*	6/2015	Kim	.....	D14/447
D758,373	S	*	6/2016	Kim	.....	D14/451
D758,375	S	*	6/2016	Won	.....	D14/451
D762,213	S	*	7/2016	Won	.....	D14/374
D783,554	S	*	4/2017	Kim	.....	D14/126
D790,542	S	*	6/2017	Jung	.....	D14/374
D796,463	S	*	9/2017	So	.....	D14/126
D799,483	S	*	10/2017	Won	.....	D14/376
D800,082	S	*	10/2017	Ahn	.....	D14/126
D800,706	S	*	10/2017	Ann	.....	D14/239
D807,895	S	*	1/2018	Won	.....	D14/452

FOREIGN PATENT DOCUMENTS

KR	300687001	3/2013
KR	300757709	8/2014

\* cited by examiner

FIG. 1

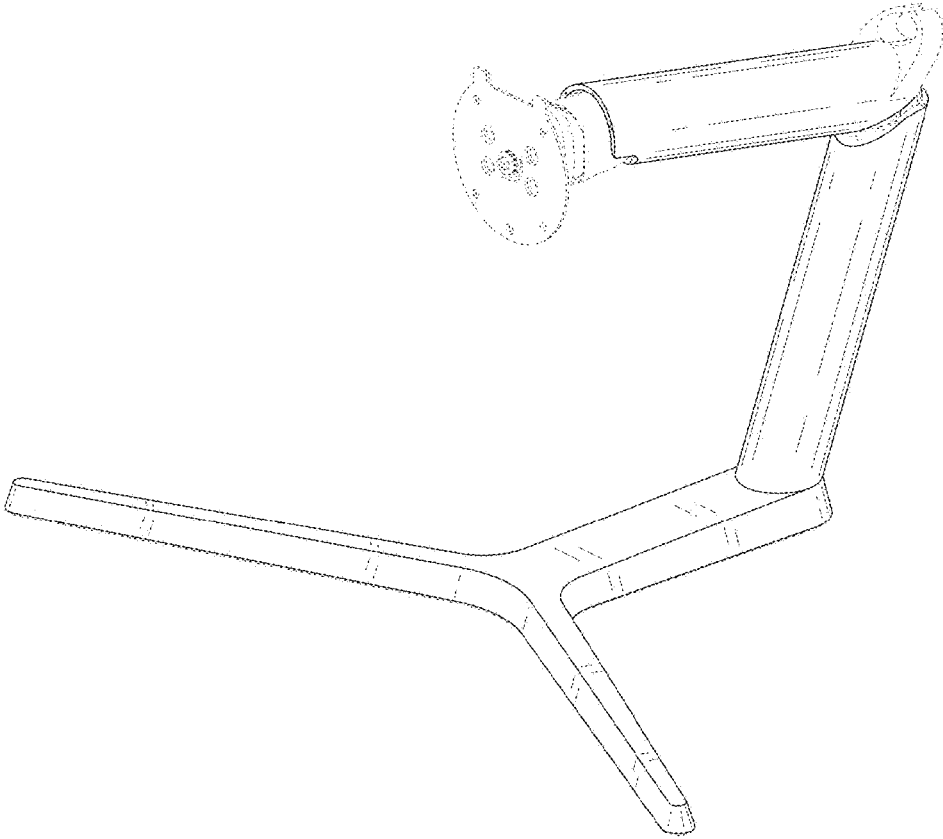


FIG. 2

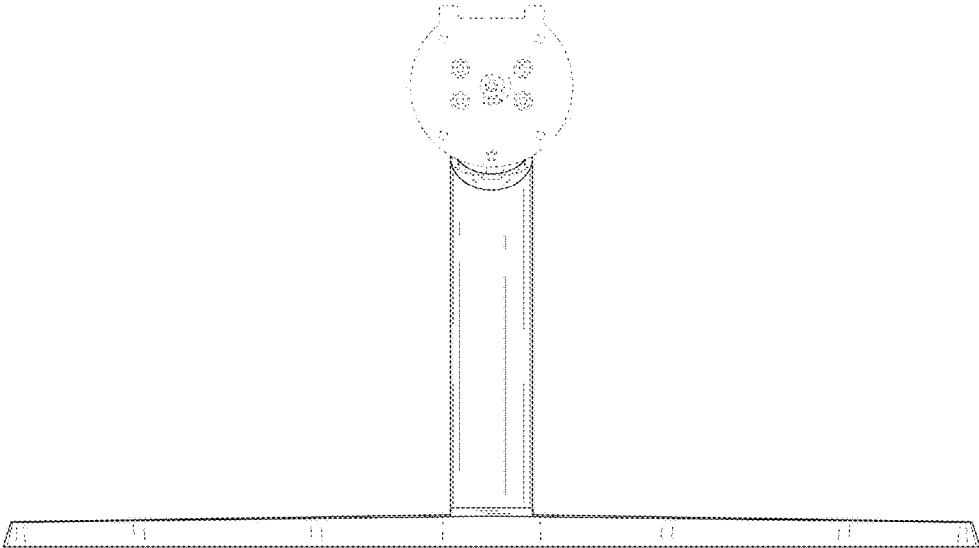


FIG. 3

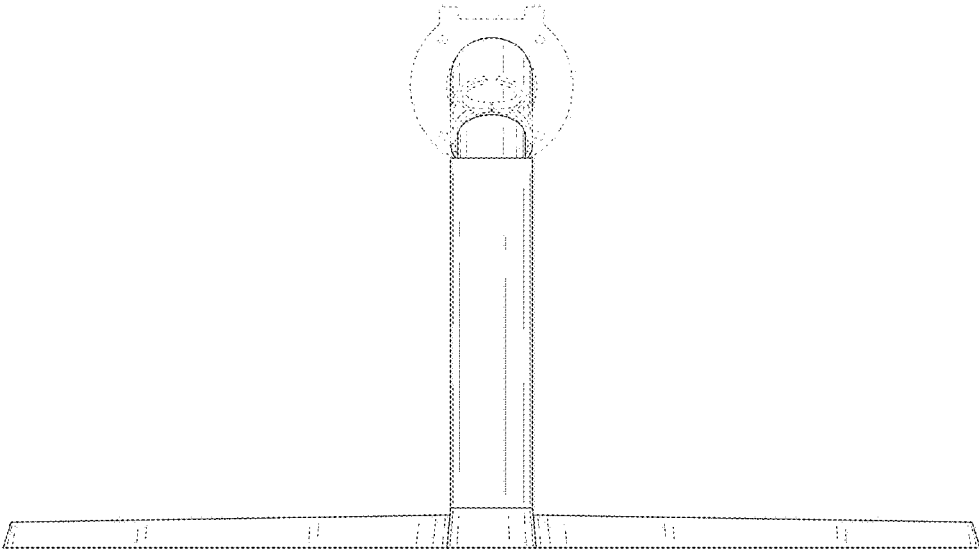


FIG. 4

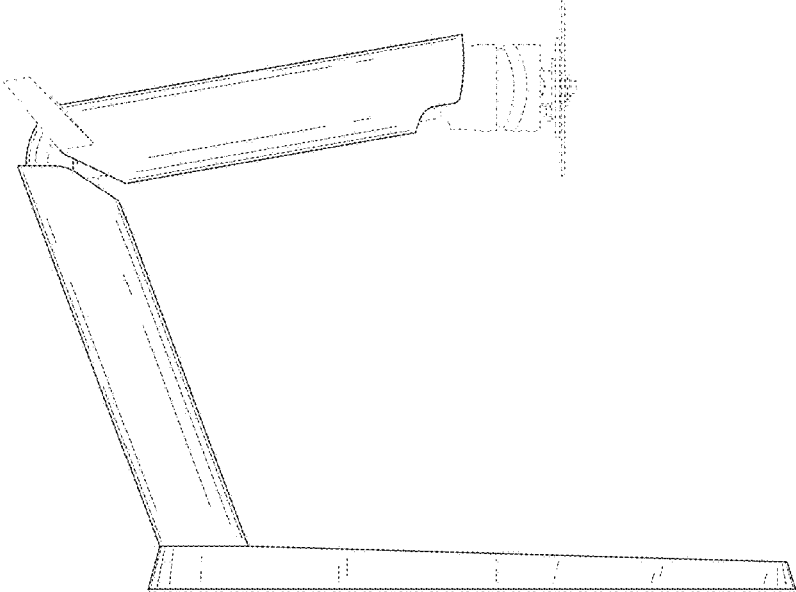


FIG. 5

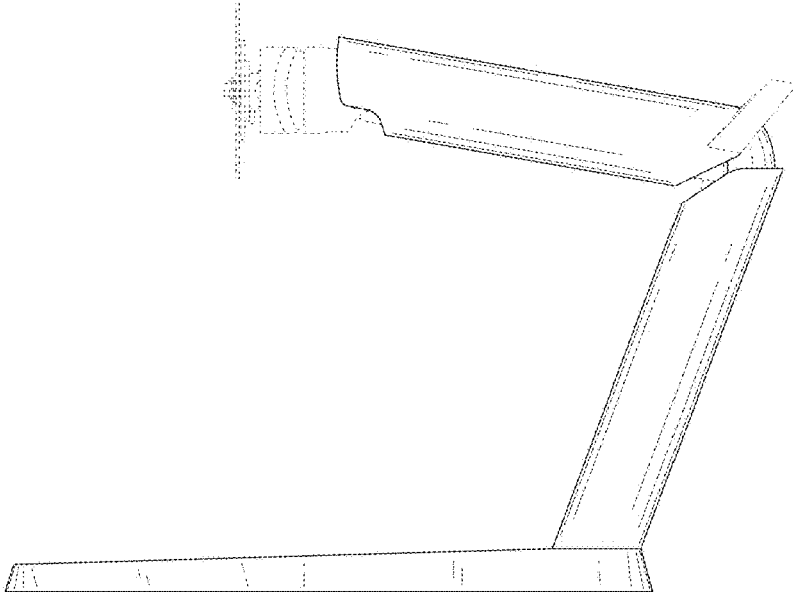


FIG. 6

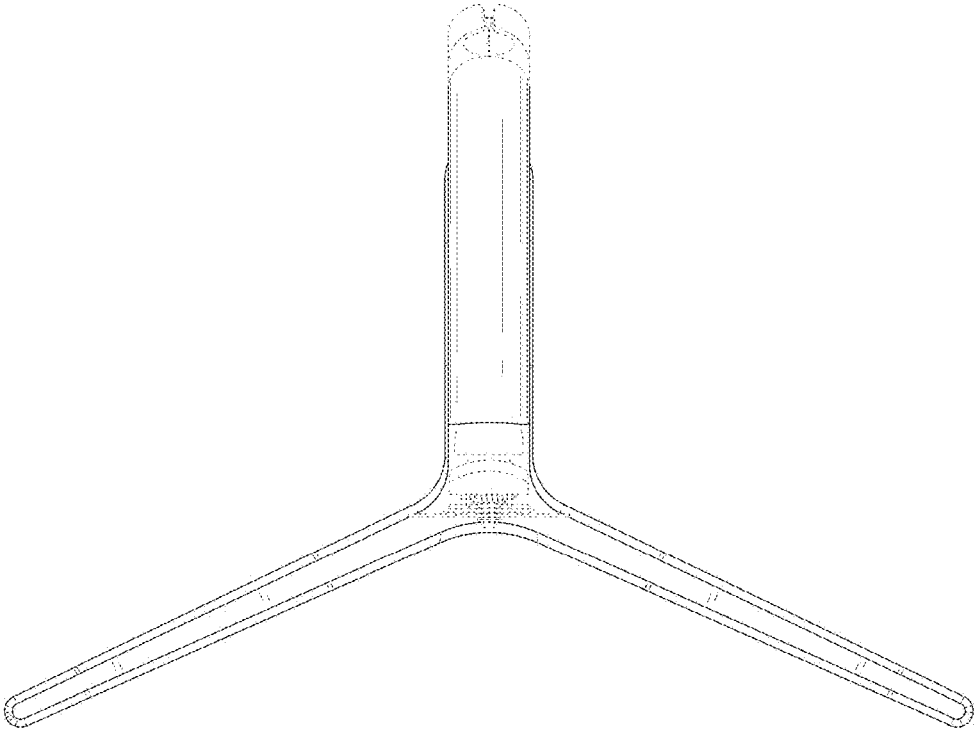


FIG. 7

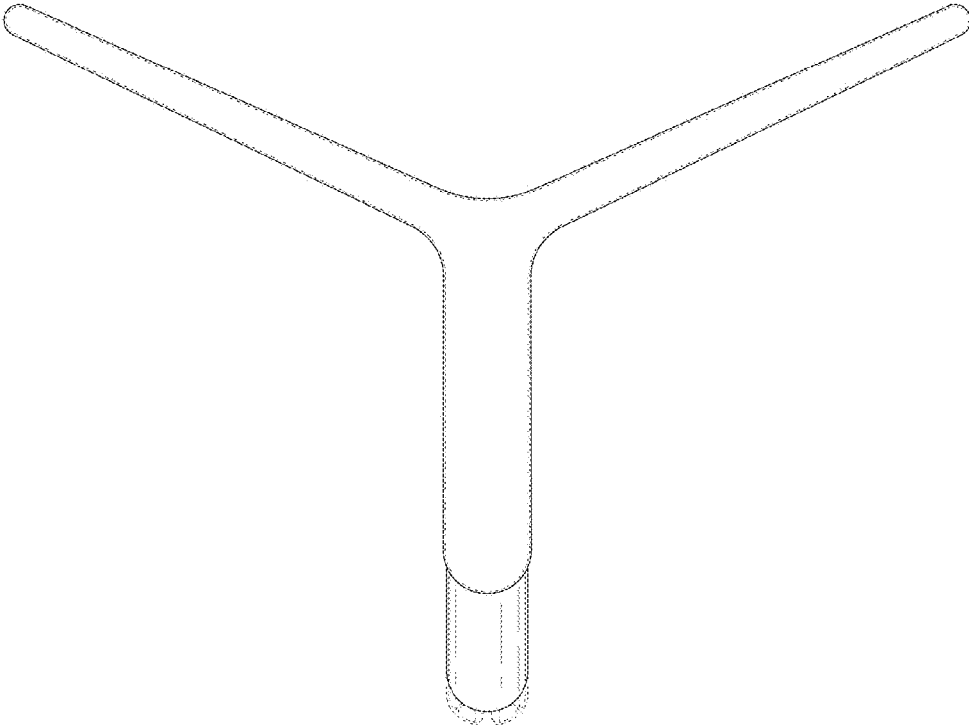


FIG. 8

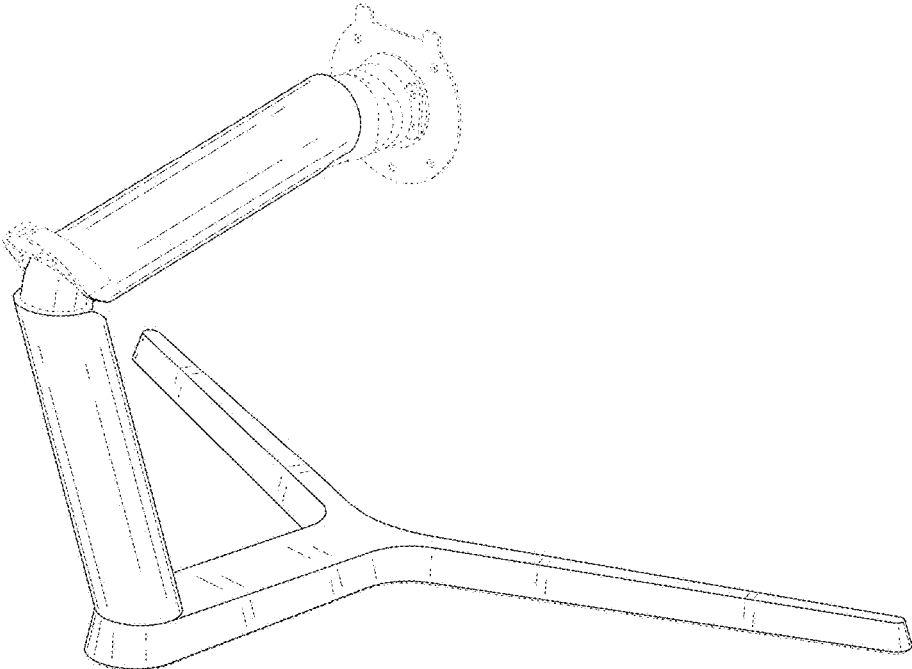




FIG. 9

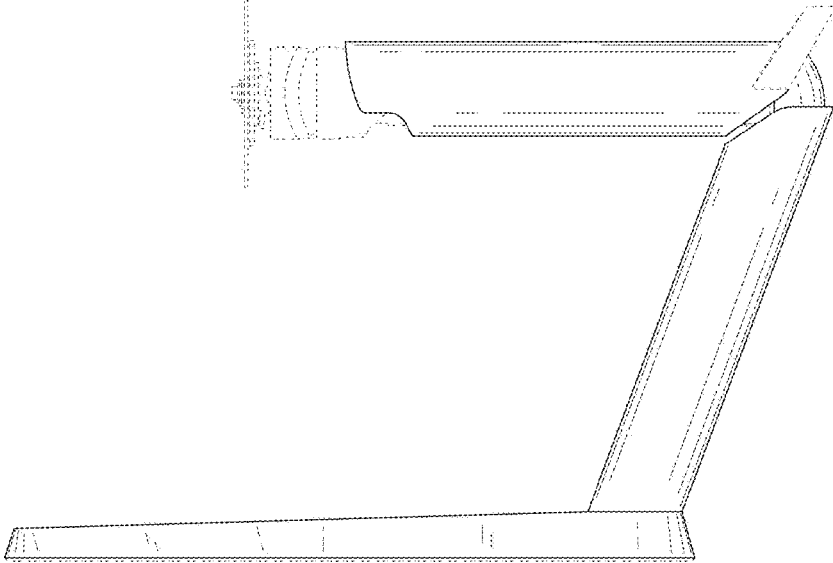


FIG. 10

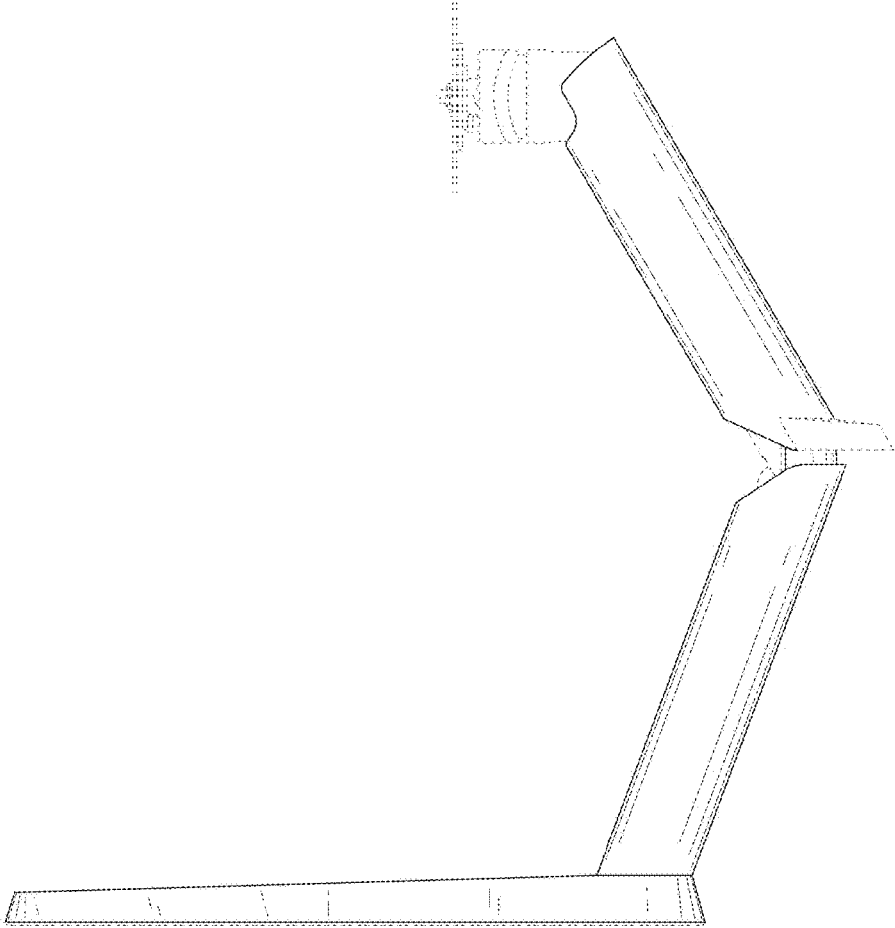


FIG. 11

