



US00D906235S

(12) **United States Design Patent**
Liu et al.

(10) **Patent No.:** **US D906,235 S**

(45) **Date of Patent:** **** Dec. 29, 2020**

- (54) **DIGITAL WALLET BATTERY**
- (71) Applicant: **Cobo Global Limited**, Grand Cayman (KY)
- (72) Inventors: **Lixin Liu**, Shanghai (CN); **Xiejun Tan**, Shanghai (CN); **Qiaoping Luo**, Shanghai (CN)
- (73) Assignee: **COBO GLOBAL LIMITED**, Grand Cayman (KY)
- (**) Term: **15 Years**

D462,071 S *	8/2002	Ruohonen	D13/103
D512,713 S *	12/2005	Watanabe	D13/103
D597,483 S *	8/2009	Wahl	D13/103
D621,393 S *	8/2010	Panahi	D14/250
D628,148 S *	11/2010	English	D13/102
D666,148 S *	8/2012	Inaba	D13/119
D671,493 S *	11/2012	Hasbrook	D13/119
D685,319 S *	7/2013	Ignor	D13/103
D759,585 S *	6/2016	Herbst	D13/103
D769,810 S *	10/2016	Lin	D13/103
D806,015 S *	12/2017	Park	D13/103
D832,245 S *	10/2018	Jeon	D14/250
D858,505 S *	9/2019	Zhang	D14/250
D861,666 S *	10/2019	Mao	D14/250
D883,917 S *	5/2020	Chen	D13/103

- (21) Appl. No.: **29/662,906**
- (22) Filed: **Sep. 10, 2018**
- (51) **LOC (12) Cl.** **13-02**
- (52) **U.S. Cl.**
USPC **D13/103**
- (58) **Field of Classification Search**
USPC D13/102–106, 118–119, 184, 199;
D14/341
CPC Y02E 60/10; H01M 2/02; H01M 2/022;
H01M 2/0202; H01M 2/0207; H01M
2/0212; H01M 2/1016; H01M 2/105;
H01M 2/1061; H01M 2/06
See application file for complete search history.

* cited by examiner

Primary Examiner — Rosemary K Tarcza
(74) *Attorney, Agent, or Firm* — Fenwick & West LLP

(57) **CLAIM**

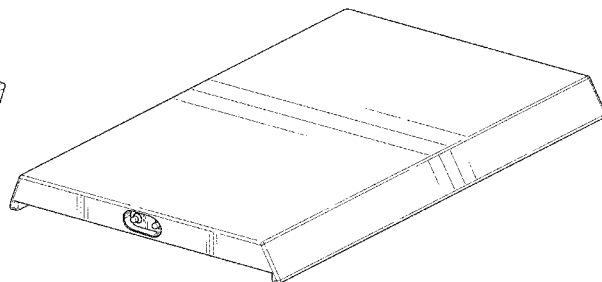
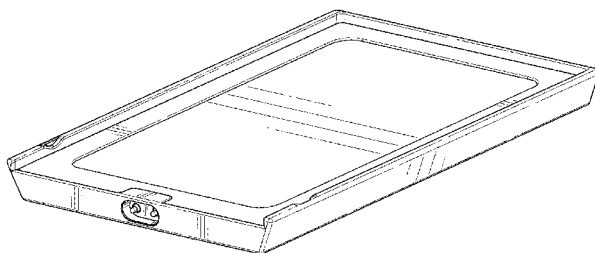
The ornamental design for a digital wallet battery, as shown and described.

DESCRIPTION

FIG. 1 is a front, bottom, and right side perspective view of a digital wallet battery;
FIG. 2 is a rear, bottom, and left side perspective view thereof;
FIG. 3 is a bottom elevational view thereof;
FIG. 4 is a top elevational view thereof;
FIG. 5 is a left side elevational view thereof;
FIG. 6 is a right side elevational view thereof;
FIG. 7 is a front plan view thereof; and,
FIG. 8 is a rear plan view thereof.

- (56) **References Cited**
U.S. PATENT DOCUMENTS
D303,524 S * 9/1989 Siegner D14/438
D305,717 S * 1/1990 Soren D13/103
D349,882 S * 8/1994 Johnson D13/103
D403,299 S * 12/1998 Smith D13/103
5,973,477 A * 10/1999 Chang H01M 10/425
320/114
D417,428 S * 12/1999 Kolinen D13/103

1 Claim, 8 Drawing Sheets



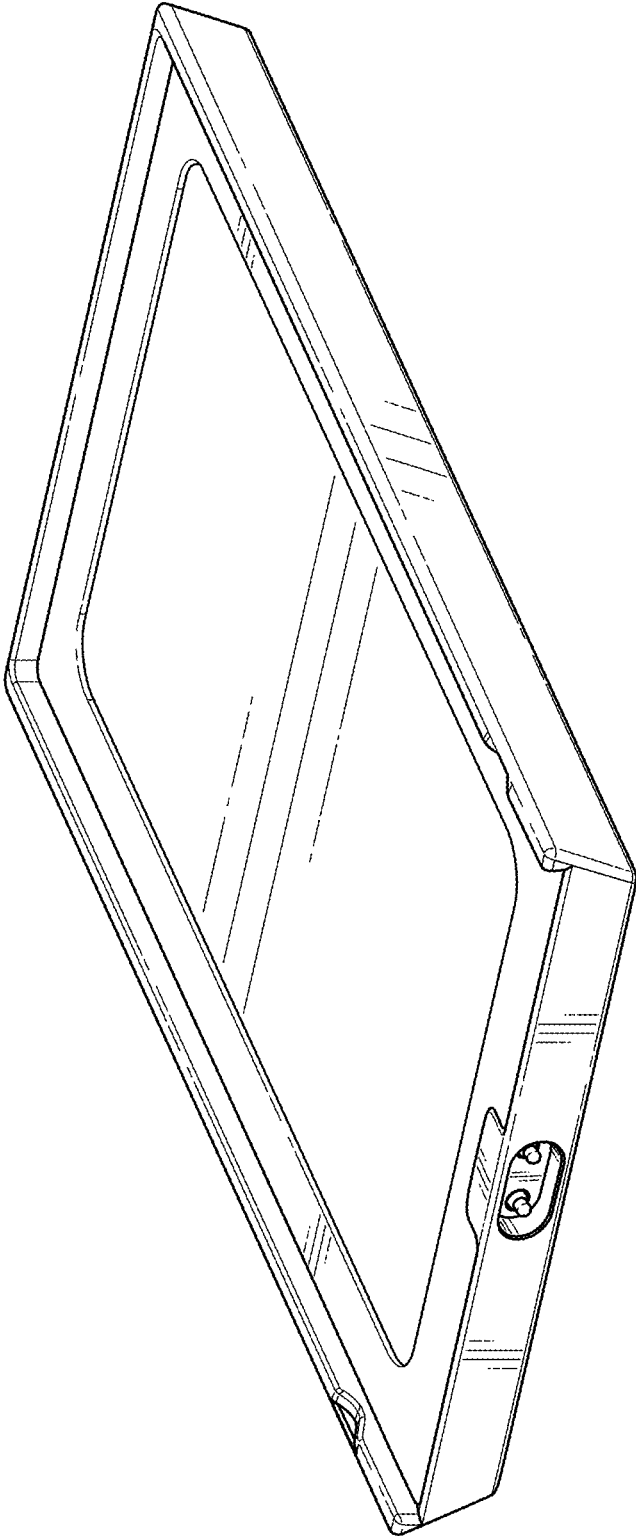


FIG. 1

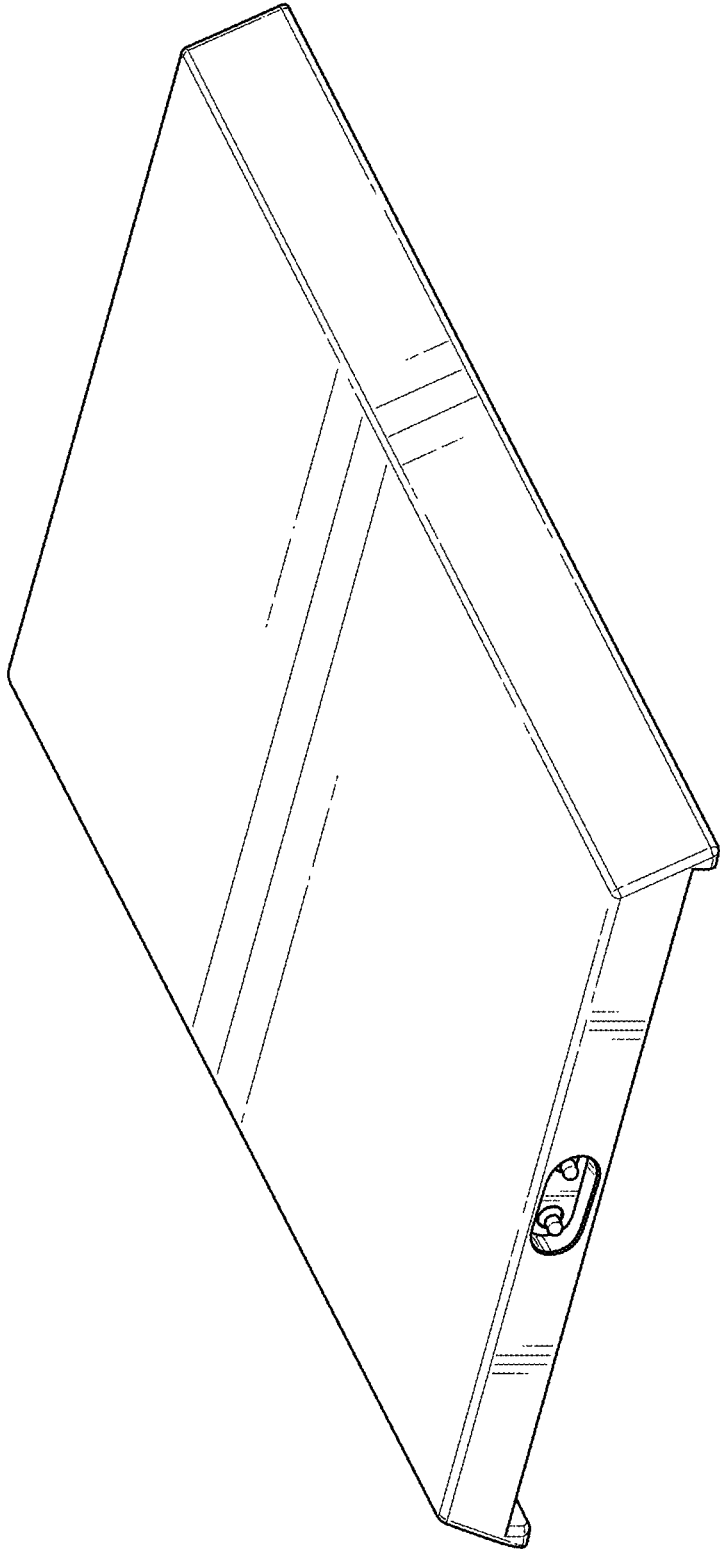


FIG. 2

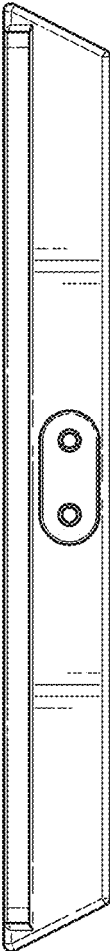


FIG. 3

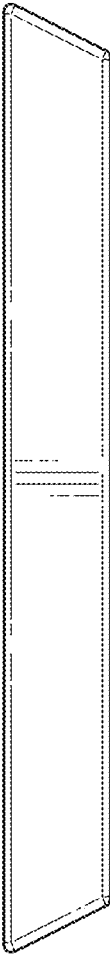


FIG. 4



FIG. 5



FIG. 6

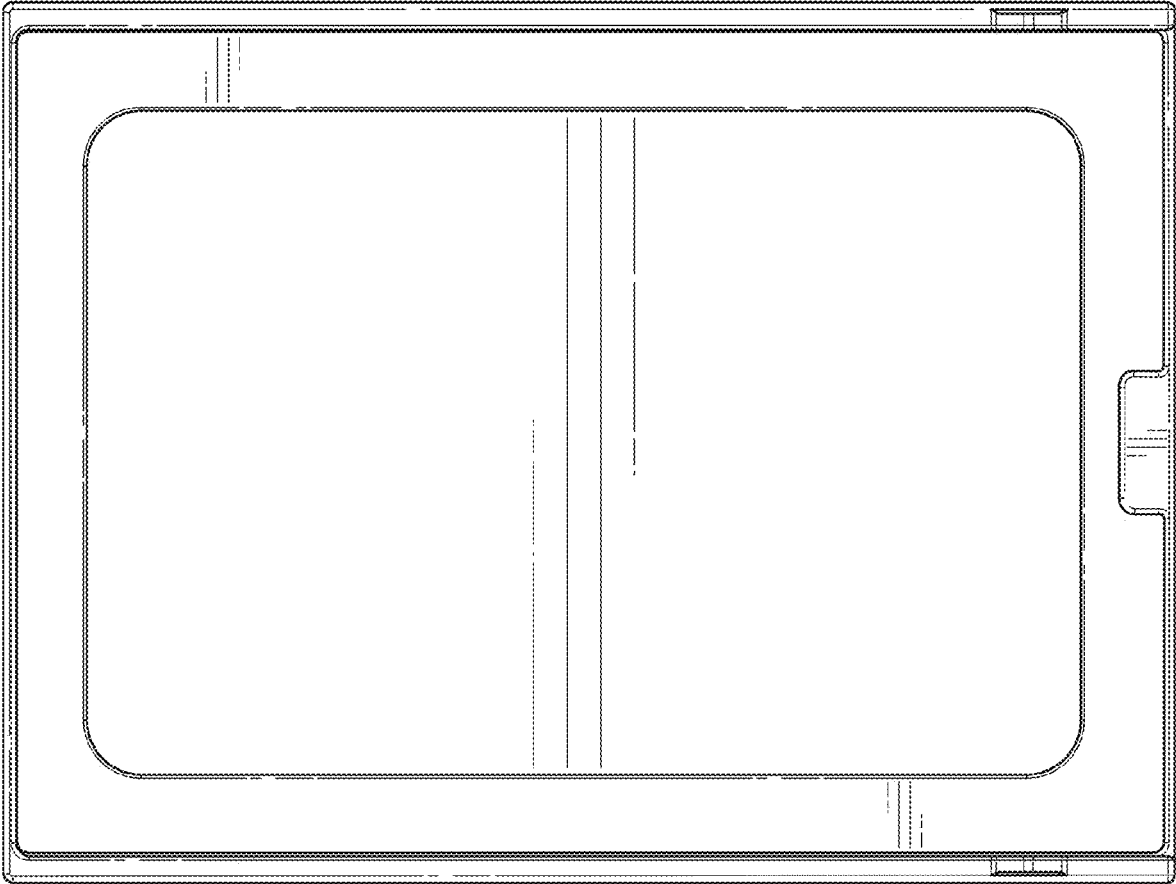


FIG. 7

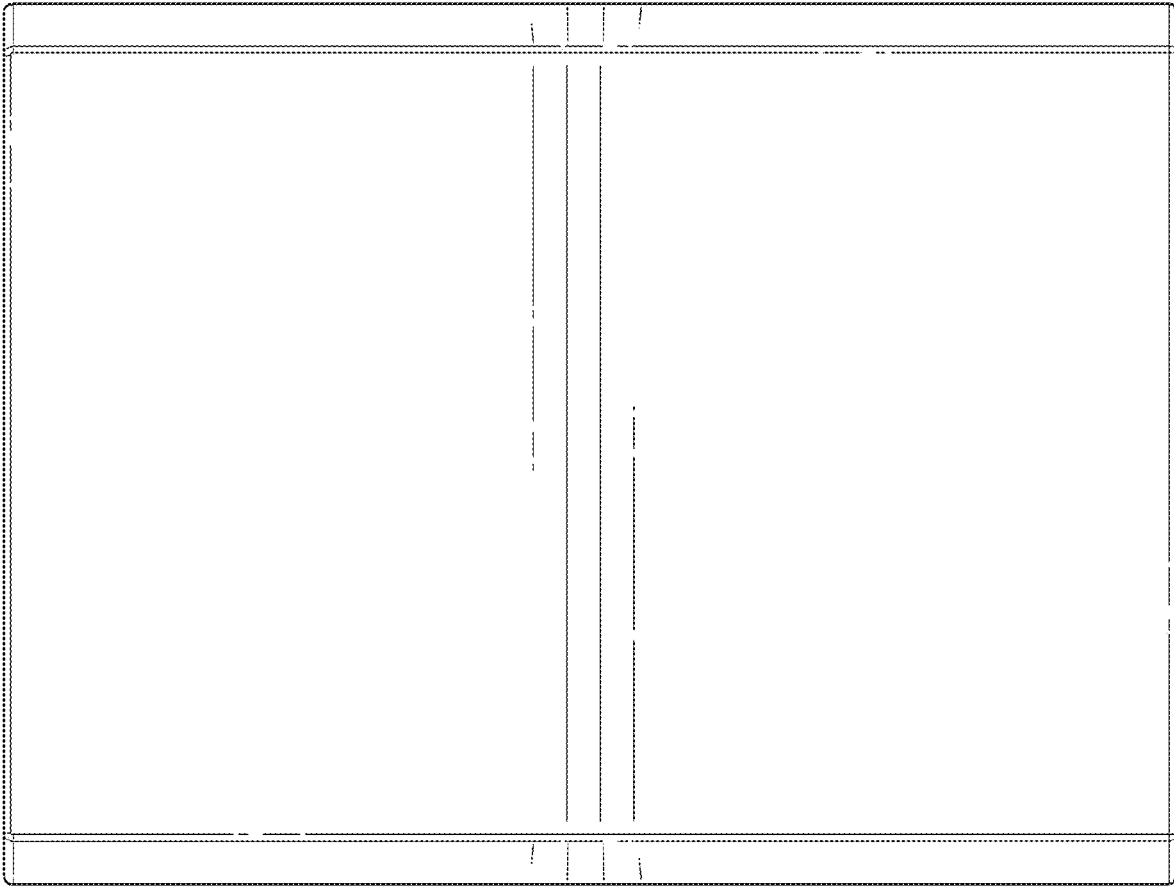


FIG. 8