



US0D1002354S

(12) **United States Design Patent**  
**Uschold**

(10) **Patent No.:** **US D1,002,354 S**

(45) **Date of Patent:** **\*\* \*Oct. 24, 2023**

- (54) **FASTENER SET**
- (71) Applicant: **Avery Dennison Corporation**,  
Glendale, CA (US)
- (72) Inventor: **Robert Charles Uschold**, Leominster,  
MA (US)
- (73) Assignee: **Avery Dennison Corporation**, Mentor,  
OH (US)
- (\* ) Notice: This patent is subject to a terminal dis-  
claimer.
- (\*\*) Term: **15 Years**
- (21) Appl. No.: **29/811,583**
- (22) Filed: **Oct. 15, 2021**

3,282,657	A	11/1966	Bright
3,338,689	A	8/1967	Hetzel et al.
3,399,432	A	9/1968	Merser
3,470,834	A	10/1969	Bone
3,494,004	A	2/1970	Bone
3,547,122	A	12/1970	Rinsler
D223,138	S	3/1972	Mulholland
3,750,605	A	8/1973	Warburton et al.
D230,115	S	1/1974	Beams
3,815,798	A	6/1974	Lavitch et al.
3,875,648	A	4/1975	Bone
3,893,612	A	7/1975	Bone
3,895,753	A	7/1975	Bone
3,900,925	A	8/1975	LaTorraca
3,990,619	A	11/1976	Russell
D243,365	S	2/1977	Cross
D251,771	S	5/1979	Tritton
4,187,970	A	2/1980	Furutu
4,296,698	A	10/1981	Davidson et al.
4,333,596	A	6/1982	Kunreuther
4,417,682	A	11/1983	Furutsu
4,423,837	A	1/1984	Clements
D273,171	S	3/1984	Bone
4,455,858	A	6/1984	Hettich
4,456,162	A	6/1984	Furutsu
4,482,088	A	11/1984	Hyun
4,492,330	A	1/1985	Furutsu
4,664,306	A	5/1987	Levy
4,693,248	A	9/1987	Failla
4,838,469	A	6/1989	Strausburg
4,923,106	A	5/1990	Furutsu
5,020,713	A	6/1991	Kunreuther
5,074,452	A	12/1991	Bone
D327,398	S	6/1992	Meyers
D333,415	S	2/1993	Furutsu
5,188,912	A	2/1993	Katoh
5,205,458	A	4/1993	Kunreuther
D340,850	S	11/1993	Tang
5,305,939	A	4/1994	Deschenes et al.
5,307,975	A	5/1994	Deschenes et al.
5,383,260	A	1/1995	Deschenes et al.
RE34,857	E	2/1995	Kunreuther
D362,606	S	9/1995	Deschenes et al.
5,447,263	A	9/1995	Tropper et al.
D364,337	S	11/1995	Deschenes et al.
D365,003	S	12/1995	Davignon et al.
D366,608	S	1/1996	Deschenes et al.
5,495,974	A	3/1996	Deschenes et al.
5,518,162	A	5/1996	Deschenes et al.
5,622,257	A	4/1997	Deschenes et al.
5,671,507	A	9/1997	Deschenes et al.
5,678,747	A	10/1997	Kunreuther et al.
5,715,984	A	2/1998	Deschenes

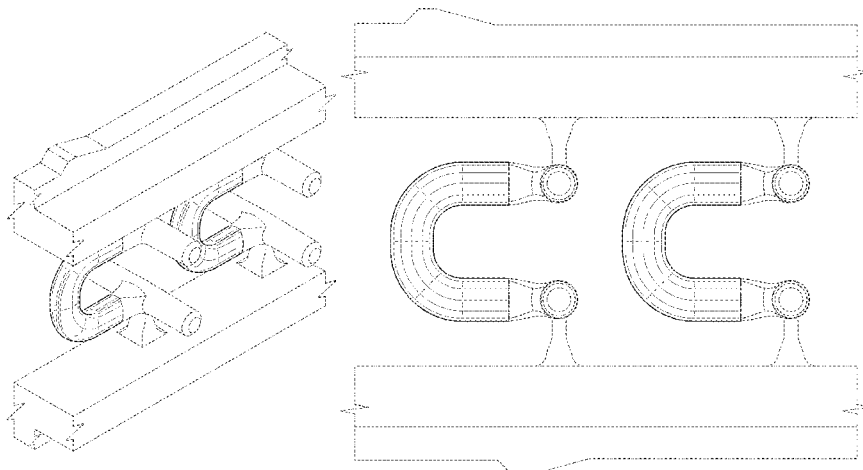
**Related U.S. Application Data**

- (62) Division of application No. 29/714,625, filed on Nov.  
25, 2019, now Pat. No. Des. 936,467.
- (51) **LOC (14) Cl.** ..... **08-08**
- (52) **U.S. Cl.**  
USPC ..... **D8/382; D8/394**
- (58) **Field of Classification Search**  
USPC ..... D8/333, 334, 343, 349, 382-399  
CPC .... A41H 37/008; A43D 100/08; A44B 1/185;  
A44B 9/02; Y10T 24/4689; Y10T 24/24;  
Y10T 24/309; A45D 8/16; A45D 8/22;  
A45D 8/26; A41D 13/0562; A41D  
27/202; A45C 7/0027; B21D 53/52; B21F  
45/18; B65H 2405/1414; B65D 33/2525;  
B65D 33/25865; F16B 21/073; B60N  
2/5825  
See application file for complete search history.

**References Cited**

**U.S. PATENT DOCUMENTS**

2,257,954	A	10/1941	Henkels
2,947,047	A	8/1960	Guzell
D200,198	S	2/1965	Vilcins



5,738,265	A	4/1998	Hirai et al.	
5,810,238	A	9/1998	Kunreuther	
5,813,589	A	9/1998	Kim	
5,826,775	A	10/1998	Mooney et al.	
D402,540	S	12/1998	Stridh	
5,938,024	A	8/1999	Deschenes et al.	
5,954,242	A	9/1999	Deschenes et al.	
D415,953	S	11/1999	Huang	
5,975,398	A	11/1999	Evans	
6,055,716	A	5/2000	Ayres et al.	
6,126,056	A	10/2000	Ueno et al.	
D434,630	S	12/2000	Oliver et al.	
6,211,243	B1	4/2001	Johnson	
6,267,285	B1	7/2001	Raymond et al.	
6,267,286	B1	7/2001	Deschenes et al.	
6,353,981	B1*	3/2002	Smith	F16B 2/241 24/295
6,418,597	B1	7/2002	Deschenes et al.	
6,427,895	B1	8/2002	Deschenes	
6,638,297	B1	10/2003	Huitema	
6,685,077	B1	2/2004	Davignon et al.	
D522,330	S	6/2006	Arnold et al.	
D528,402	S*	9/2006	Ruan	D8/343
D549,554	S*	8/2007	Heppner	D8/343
D590,685	S	4/2009	Sterling	
D596,007	S	7/2009	Price et al.	
8,316,529	B2	11/2012	Davis et al.	
8,381,958	B2	2/2013	Lussier et al.	
D696,576	S	12/2013	Ng	
9,271,726	B2	3/2016	Euteneuer	
D767,372	S*	9/2016	Itou	H02G 3/26 D8/356
D780,311	S*	2/2017	Cheney	D24/155
D808,253	S	1/2018	Daniels	
D895,113	S	9/2020	Blair et al.	
D914,491	S	3/2021	Daniels	
D957,636	S*	7/2022	Blair	D24/155
D969,589	S*	11/2022	Buczynski	D8/349
D972,393	S*	12/2022	Karlsson	D8/349
D976,676	S*	1/2023	Schmidt	D8/349
2005/0125958	A1	6/2005	Deschenes et al.	
2013/0167356	A1	7/2013	Hagie et al.	
2015/0211565	A1*	7/2015	Benedetti	B60R 13/0206 24/292
2016/0135808	A1	5/2016	Anderson	
2017/0305316	A1*	10/2017	Lafferty	B60N 2/5825
2017/0349117	A1*	12/2017	Mingerink	F16B 21/075
2018/0236915	A1*	8/2018	Agonia	F16B 21/073
2020/0197005	A1*	6/2020	Daniel	A61B 17/8811
2021/0386422	A1*	12/2021	Maclure	A61B 17/0682
2022/0242287	A1*	8/2022	Cuerda	F16B 2/22
2023/0054506	A1*	2/2023	Lee	H01R 13/5812
2023/0085801	A1*	3/2023	Tollimägi	A01K 61/60

FOREIGN PATENT DOCUMENTS

CA	33943	5/1971
CN	301364410	10/2010
CN	301719092	11/2011
CN	203158329	8/2013
CN	306890218	* 8/2020
CN	306626754	* 11/2020
CN	306837364	* 5/2021
CN	307286421	* 12/2021
DE	3625481	2/1988
EM	008548911-0004	* 5/2021
GB	4006092	2/2008
GB	6014567	6/2017
GB	6214058	* 6/2022
JP	2-45340	2/1990
JP	06171632	6/1994
JP	D1380076	1/2010
JP	2012-519783	8/2012
JP	50-41643	10/2012
JP	D1455928	10/2012
KR	301062203.0000	* 9/2019
WO	98/21990	5/1998

OTHER PUBLICATIONS

Bulk Hardware, BH03720 Galvanised Netting Staple, Date first available: Jan. 20, 2017, [online] retrieved Apr. 9, 2021, available from [https://www.amazon.com/Bulk-hardware-BH03720-Galvanized-Netting/dp/B01BHQKPKA/ref=sr\\_1\\_45?dchild=1&keywords=u+shaped+fasteners&gid=1617974810&sr=8-45](https://www.amazon.com/Bulk-hardware-BH03720-Galvanized-Netting/dp/B01BHQKPKA/ref=sr_1_45?dchild=1&keywords=u+shaped+fasteners&gid=1617974810&sr=8-45) (Year: 2017).

Harris Hardware, TP1756 2 Ear Wall Bracket, Date first available Oct. 18, 2019, [online] retrieved Apr. 9, 2021, available from [https://www.amazon.com/Harris-Hardware-TP1756-Bracket-Chrome/dp/B07MFW7ZZZ/ref=pd\\_sbs\\_9?pd\\_rd\\_w=DKGPr&pf\\_rd\\_p=2419a049-62bf-452e-b0d0-ca5b7e35a7b4&pf\\_rd\\_r=3ESC62KWG8PNKFVPMNRD&](https://www.amazon.com/Harris-Hardware-TP1756-Bracket-Chrome/dp/B07MFW7ZZZ/ref=pd_sbs_9?pd_rd_w=DKGPr&pf_rd_p=2419a049-62bf-452e-b0d0-ca5b7e35a7b4&pf_rd_r=3ESC62KWG8PNKFVPMNRD&) (Year: 2019).

International Search Report and Written Opinion dated Aug. 3, 2020 issued in corresponding IA No. PCT/US2020/027185 filed Apr. 8, 2020.

Keadic, 30Pcs M32 Two Hole Strap U Bracket Tube Strap Tension Clips Stainless Steel Heavy Duty Rigid Type Pipe Strap Clamp, Date first available Sep. 2, 2018, [online] retrieved Dec. 28, 2020, available from internet, <https://www.amazon.com/Keadic-Bracket-Stainless-Surfaces-Structures/dp/B07H25JPZN/ref=s> (year: 2018).

SeeRaphée, 304 Stainless Steel U Bolt Set Marine Boat Deck Hardware M8x100, Date first available May 23, 2018, [online] retrieved Dec. 28, 2020, available from internet, [https://www.amazon.com/Stainless-Steel-Marine-Hardware-M8x100/dp/B07D7TYRGX/ref=sr\\_1\\_20\\_sspa?dchild=1&keywords=u+shaped+fasteners&qid](https://www.amazon.com/Stainless-Steel-Marine-Hardware-M8x100/dp/B07D7TYRGX/ref=sr_1_20_sspa?dchild=1&keywords=u+shaped+fasteners&qid) (Year: 2018).

Unistrut, Genuine Unistrut Brand P1047-EG 5 Hole“U” Shaped Connector Bracket, Date first available Feb. 7, 2014, [online] retrieved Dec. 28, 2020, available from internet, [https://www.amazon.com/Genuine-Unistrut-P1047-EG-Connector-Bracket/dp/B00IASG7BA/ref=sr\\_1\\_45?dchild=1&keywords=u+shaped+fasteners&](https://www.amazon.com/Genuine-Unistrut-P1047-EG-Connector-Bracket/dp/B00IASG7BA/ref=sr_1_45?dchild=1&keywords=u+shaped+fasteners&) (Year: 2014).

Prime-Line Store, MP7018 Wire Shelf Loop Clip, Date first available Nov. 9, 2017, [online] retrieved Dec. 28, 2020, available from internet, [https://www.amazon.com/Prime-Line-MP7018-Wire-Shelf-Piece/dp/B07793L26V/ref=sr\\_1\\_175?dchild=1&keywords=u+shaped+fasteners&qid=1609280165&sr=8-175](https://www.amazon.com/Prime-Line-MP7018-Wire-Shelf-Piece/dp/B07793L26V/ref=sr_1_175?dchild=1&keywords=u+shaped+fasteners&qid=1609280165&sr=8-175) (Year 2017).

International Preliminary Report on Patentability dated Sep. 28, 2021 issued in corresponding IA No. PCT/US2020/027185 filed Apr. 8, 2020.

\* cited by examiner

Primary Examiner — Keli L Hill

Assistant Examiner — Sara S Sahneh

(74) Attorney, Agent, or Firm — Avery Dennison Corporation

(57)

CLAIM

The ornamental design for a fastener set, as shown and described.

DESCRIPTION

FIG. 1 is a front, top, left perspective view of a fastener set, showing my new design;

FIG. 2 is a left side view of the fastener set of FIG. 1;

FIG. 3 is a right side view of the fastener set of FIG. 1;

FIG. 4 is a front view of the fastener set of FIG. 1;

FIG. 5 is a rear view of the fastener set of FIG. 1;

FIG. 6 is a top view of the fastener set of FIG. 1; and,

FIG. 7 is a bottom view of the fastener set of FIG. 1.

The broken line in the figures is included for the purpose of illustrating environmental structure while all other lines illustrate portions of the fastener set; the broken lines form no part of the claimed design.

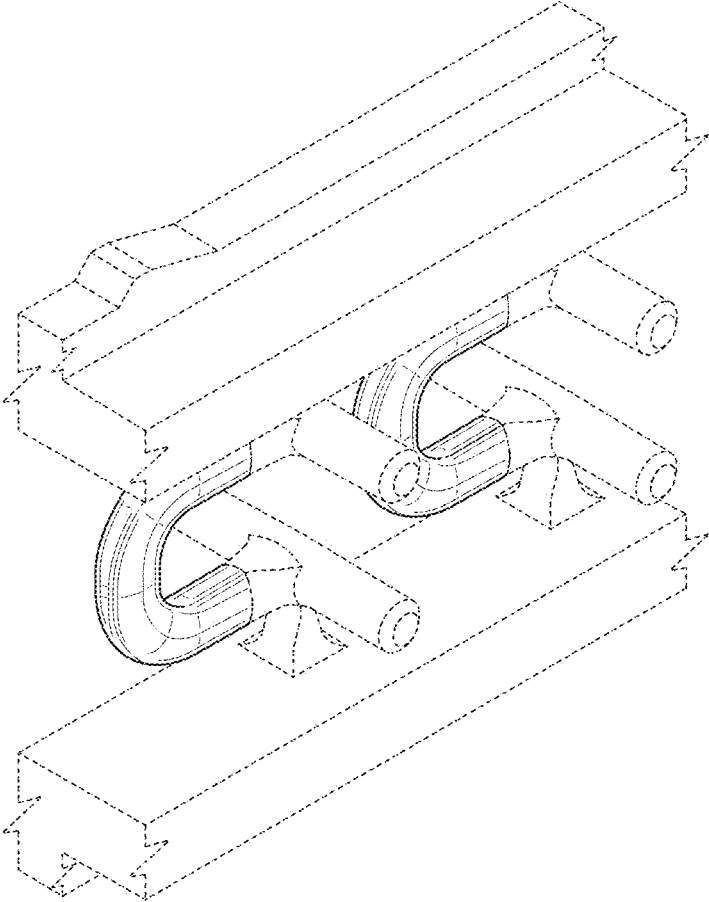


FIG. 1

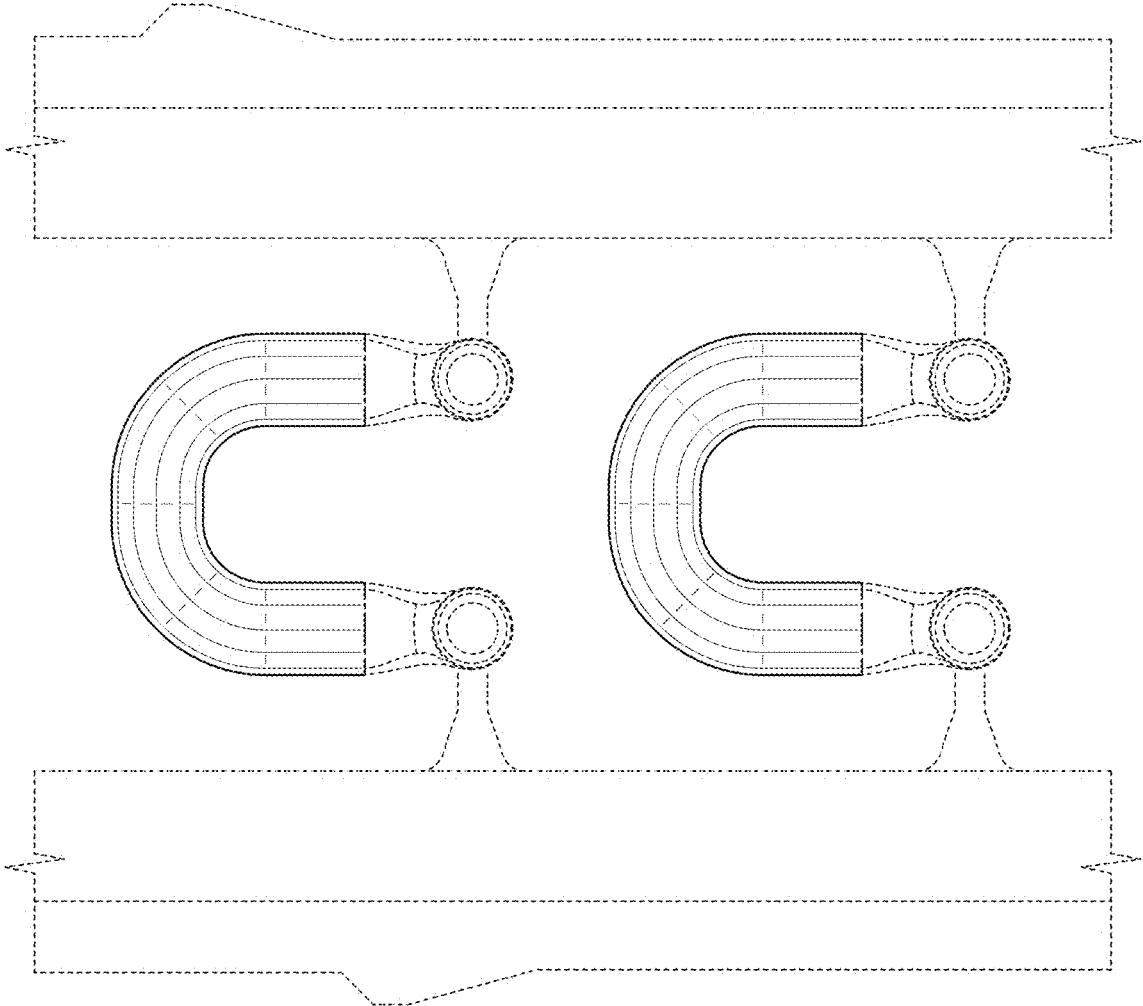


FIG. 2

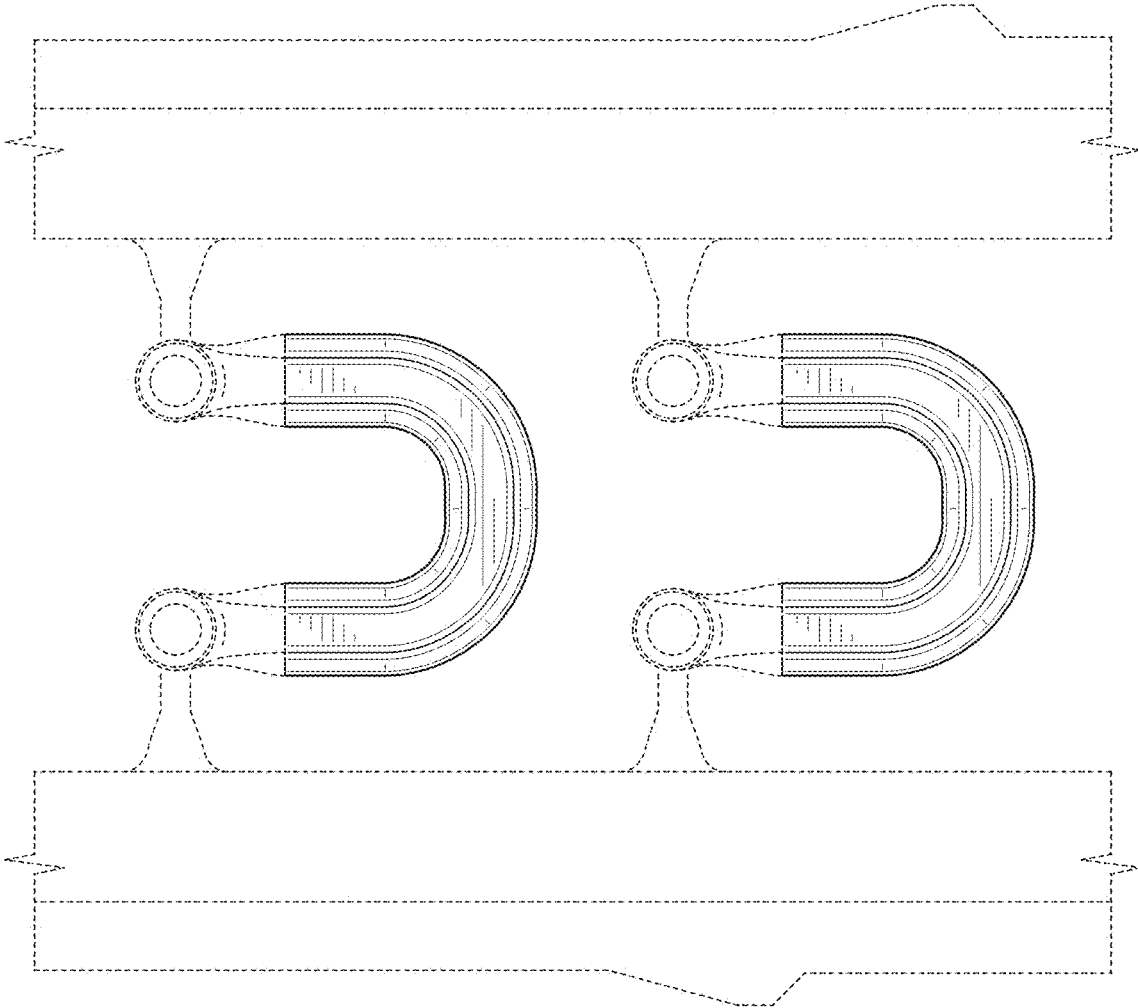


FIG. 3

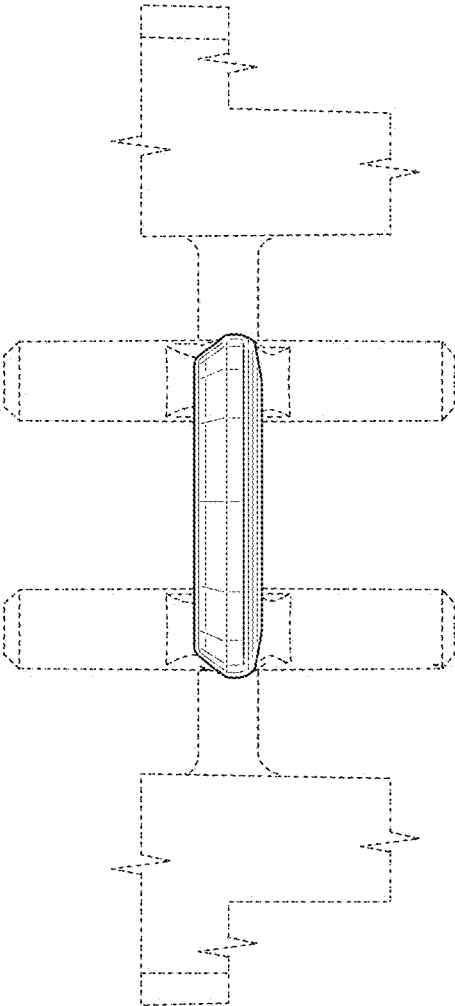


FIG. 4

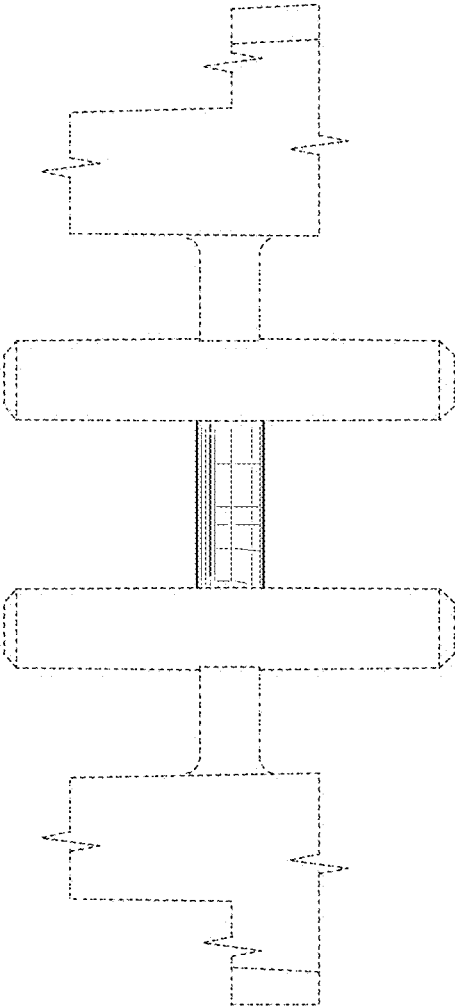


FIG. 5

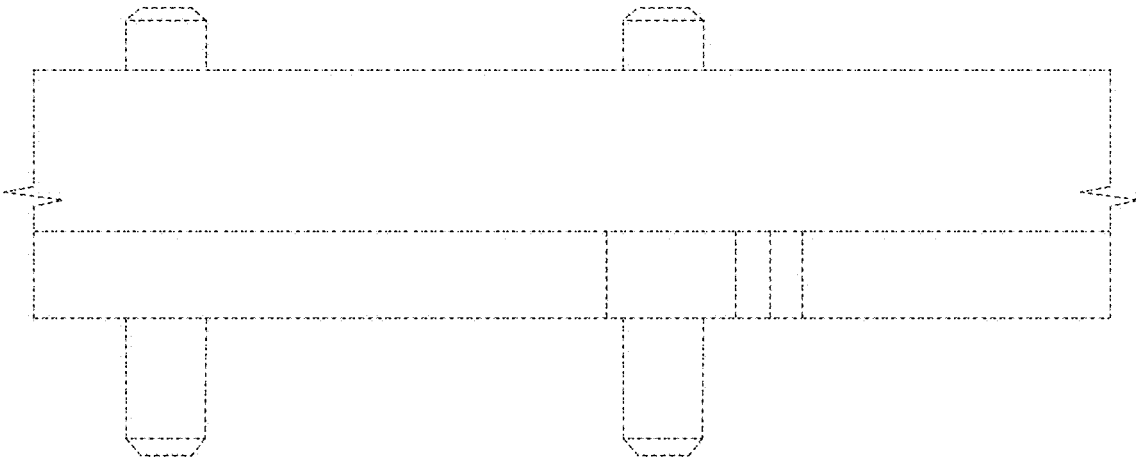


FIG. 6



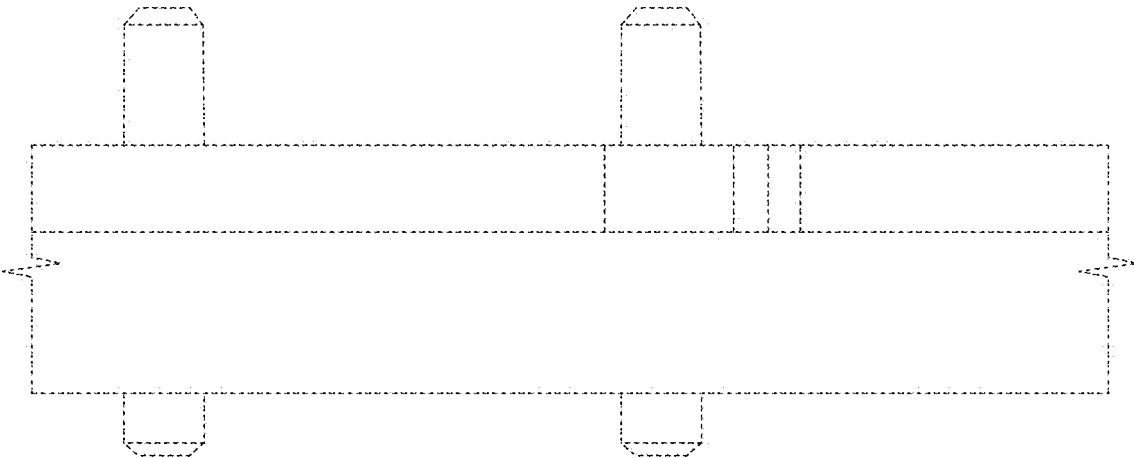


FIG. 7