



US00D872352S

(12) **United States Design Patent**
King

(10) **Patent No.:** **US D872,352 S**

(45) **Date of Patent:** **** Jan. 7, 2020**

(54) **ATOMIZING LIGHT HOUSING**

(71) Applicant: **Derek Kyle King**, Williamsburg, VA
(US)

(72) Inventor: **Derek Kyle King**, Williamsburg, VA
(US)

(**) Term: **15 Years**

(21) Appl. No.: **29/620,862**

(22) Filed: **Jul. 26, 2017**

(51) **LOC (12) Cl.** **26-05**

(52) **U.S. Cl.**
USPC **D26/138**

(58) **Field of Classification Search**
USPC D26/76, 78, 79, 80, 81, 82, 83, 85, 86,
D26/88, 90, 93, 111, 113, 118, 119, 120,
D26/121, 122, 138, 139, 140, 141, 142,
D26/152

CPC F21S 2/00; F21S 4/00; F21S 4/003; F21S
4/005; F21S 4/006; F21S 4/007; F21S
4/008; F21S 6/00; F21S 8/00; F21S
8/024; F21S 8/026; F21S 8/031; F21S
8/033; F21S 8/035-8/037; F21S 8/04;
F21S 8/043; F21S 8/063

See application file for complete search history.

(56) **References Cited**

U.S. PATENT DOCUMENTS

D282,972 S * 3/1986 Castor D26/59
D416,644 S * 11/1999 Swope D26/142

D441,856 S * 5/2001 Wettergren D23/328
D532,148 S * 11/2006 Matsui D26/138
D585,975 S * 2/2009 Guthrie D23/412
D623,344 S * 9/2010 Tsai D26/138
D629,561 S * 12/2010 Kim D26/138
D700,992 S * 3/2014 Hufford D26/142
D707,386 S * 6/2014 McKenzie D26/142
D742,056 S * 10/2015 Yang D26/134
D752,274 S * 3/2016 Hunt, III D26/138
D754,320 S * 4/2016 Park D23/385
D774,246 S * 12/2016 Lin D26/138
D783,891 S * 4/2017 Wang D26/1
D794,243 S * 8/2017 Bryant D26/138
D819,575 S * 6/2018 Corkill D13/152

* cited by examiner

Primary Examiner — Natasha Vujcic

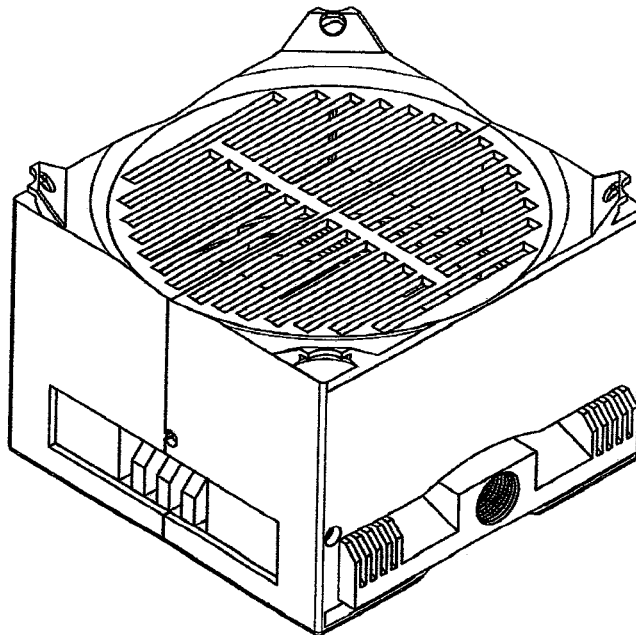
(57) **CLAIM**

I claim, the ornamental design for an atomizing light hous-
ing, as shown and described.

DESCRIPTION

FIG. 1 is a top perspective view of atomizing light housing,
showing our new design;
FIG. 2 is a side elevation view thereof;
FIG. 3 is a top plan view thereof;
FIG. 4 is a bottom plan view thereof;
FIG. 5 is a front of the design, the back view being a mirror
image thereof; and,
FIG. 6 is a bottom perspective view thereof.
The broken lines in the drawings illustrate portions of the
atomizing light housing and form no part of the claimed
design.

1 Claim, 6 Drawing Sheets



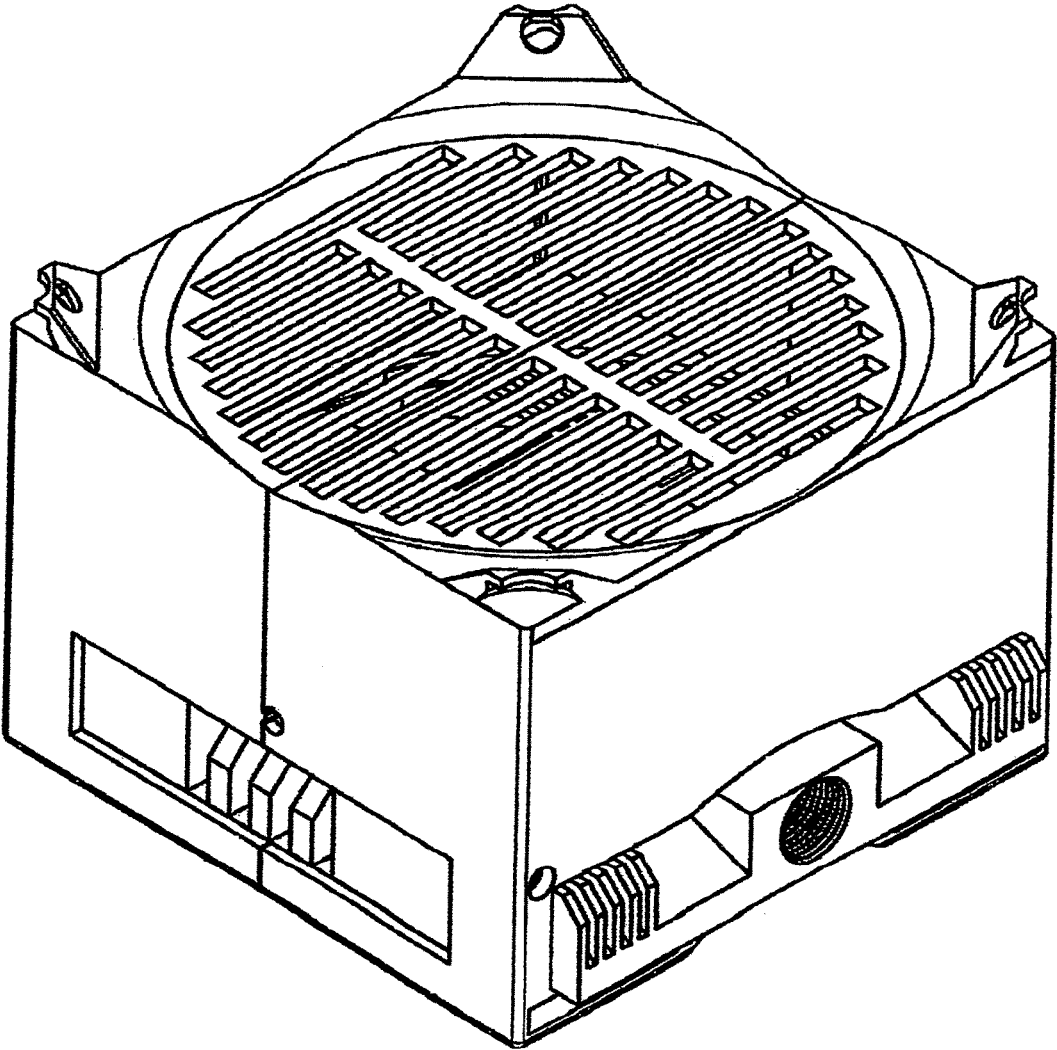


FIG. 1

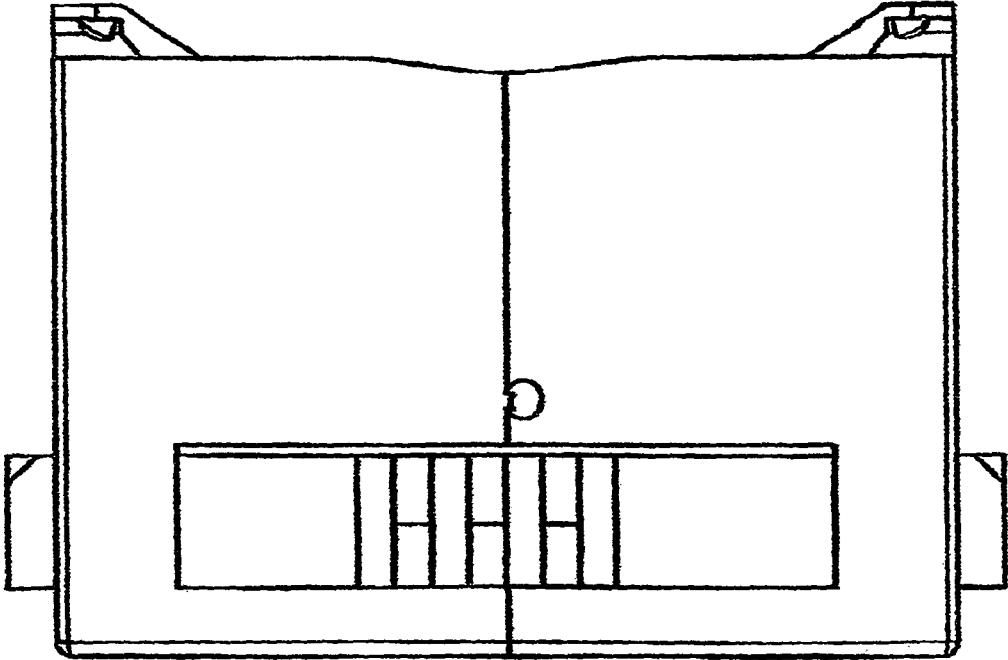


FIG. 2

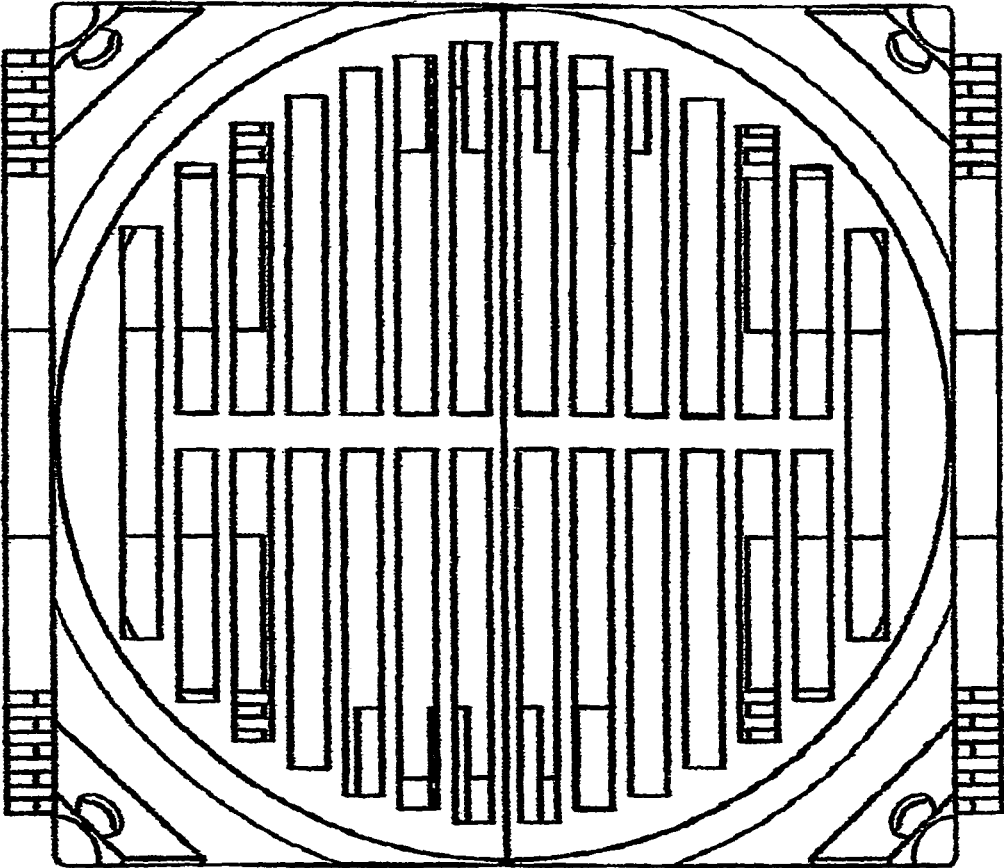


FIG. 3

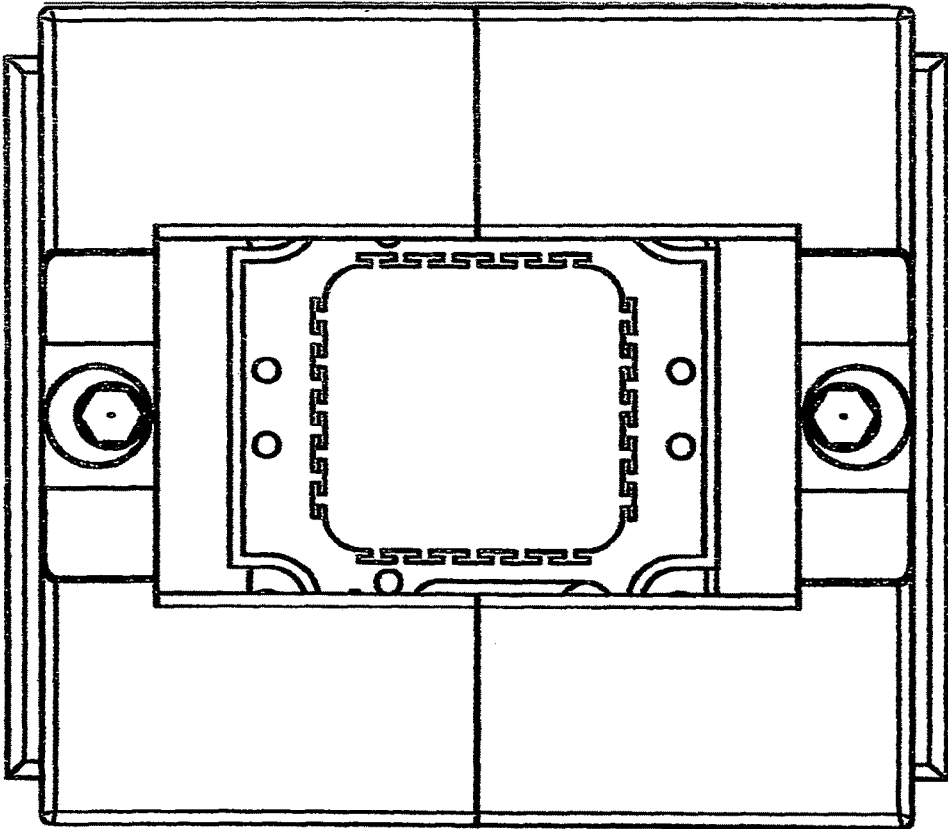


FIG. 4

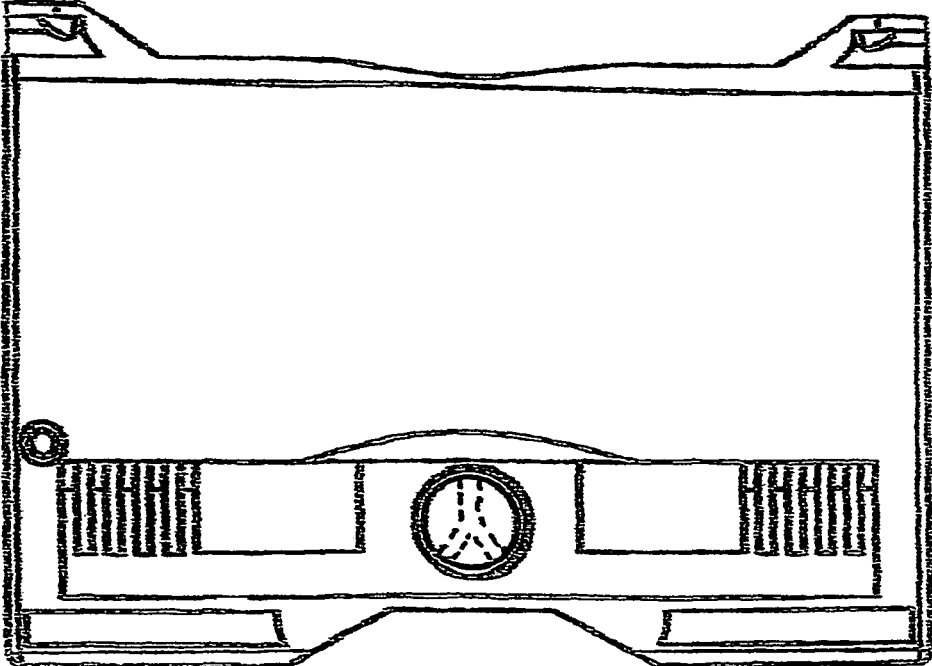


FIG. 5

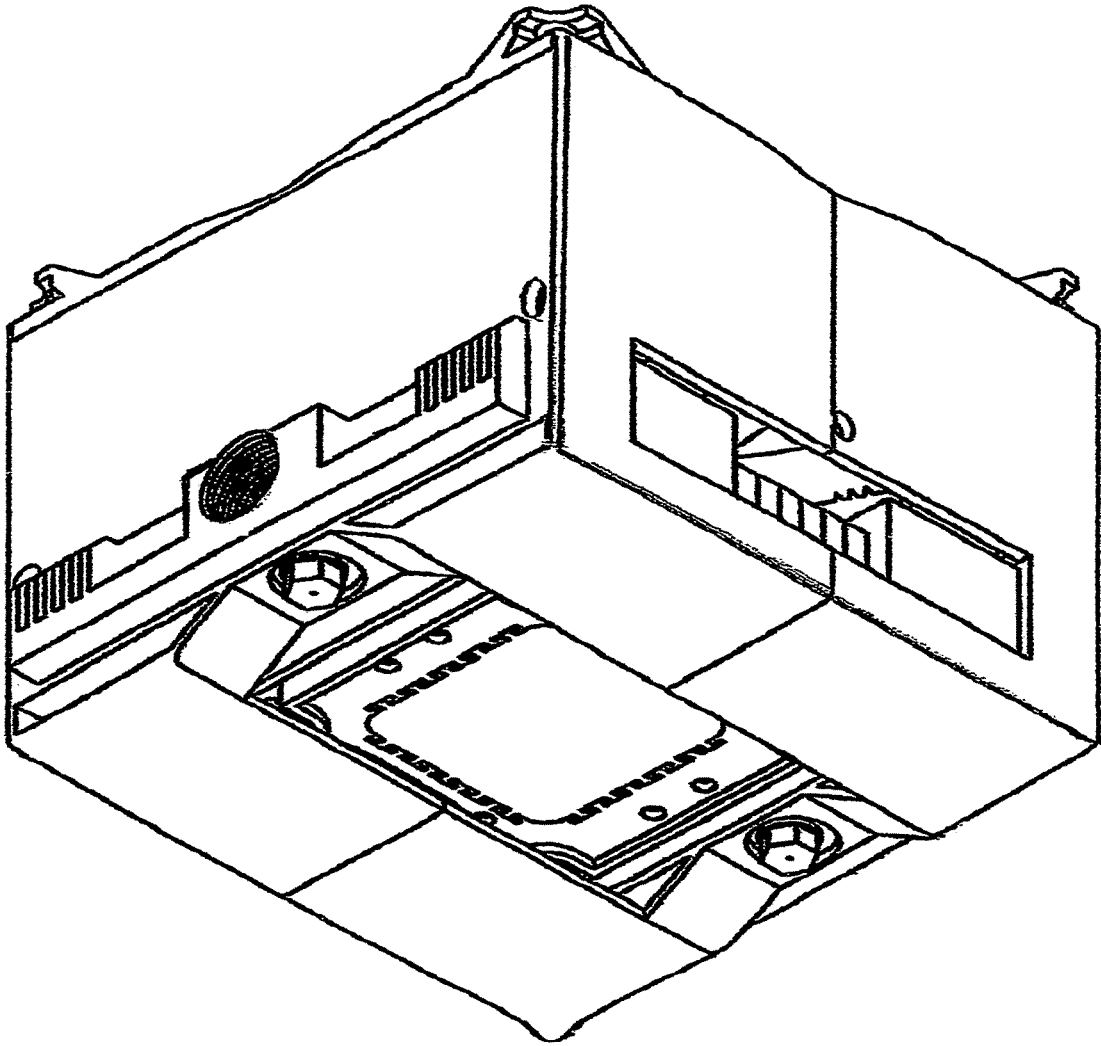


FIG. 6