



US00D463627S

(12) **United States Design Patent** (10) **Patent No.:** **US D463,627 S**
Lang et al. (45) **Date of Patent:** **** Sep. 24, 2002**

(54) **SINGLE RAIL FLOSSER TIP CARTRIDGE**
(75) Inventors: **Kenneth J. Lang**, Loveland, CO (US);
Jeffrey T. Geyer, Fort Collins, CO (US)

3,759,273 A * 9/1973 Knavs 132/326
3,759,274 A 9/1973 Warner
3,760,799 A 9/1973 Crowson
3,809,977 A 5/1974 Balamuth et al.
3,831,611 A 8/1974 Hendricks

(73) Assignee: **Water Pik, Inc.**, Fort Collins, CO (US)
(**) Term: **14 Years**

(List continued on next page.)

(21) Appl. No.: **29/125,013**

(22) Filed: **Dec. 21, 1999**

(51) **LOC (7) Cl.** **28-03**
(52) **U.S. Cl.** **D28/66**
(58) **Field of Search** D28/65, 66, 67,
D28/68; 132/321, 322, 323, 324, 325, 326,
327, 328, 329; D24/127, 152; D4/108,
120; 206/63.5; 225/6, 34, 37, 38, 39, 42,
49, 50, 51, 53, 77, 80, 81, 82, 90

FOREIGN PATENT DOCUMENTS

DE	243224	4/1910
DE	17 66 651 C1	12/1981
DE	3431481	2/1986
DE	8626725	5/1987
DE	37 36 308 A1	7/1989
DE	41 42 404 C2	7/1991
DE	42 23 195 A1	1/1994
DE	42 23 196 A1	1/1994
DE	42 26 659 A1	2/1994
DE	43 09 078 A1	9/1994
DE	297 15 234 U1	12/1997
EP	0 354 352	2/1990
EP	0 661 025 B1	7/1995
FR	429447	9/1911
WO	WO 94/04093	3/1994
WO	WO 95/02375	1/1995

(56) **References Cited**

U.S. PATENT DOCUMENTS

1,355,037 A	10/1920	Dziuk	
1,703,642 A	2/1929	Sticht	
2,016,597 A	10/1935	Drake	
2,467,221 A *	4/1949	Pastl	132/326
2,931,371 A	4/1960	Petitta	
2,962,033 A *	11/1960	Lew	132/324
3,106,216 A	10/1963	Kirby	
3,270,416 A	9/1966	Massa	
3,289,681 A *	12/1966	Chambers	132/326
3,311,116 A *	3/1967	Foster	132/326
3,335,443 A	8/1967	Parisi et al.	
3,375,820 A	4/1968	Kuris et al.	
3,472,045 A	10/1969	Nelsen et al.	
3,472,247 A	10/1969	Borsum et al.	
3,474,799 A	10/1969	Cappello	
3,552,022 A	1/1971	Axelsson	
3,559,292 A	2/1971	Weissman	
3,563,233 A	2/1971	Bodine	
3,588,936 A	6/1971	Duve	
3,660,902 A	5/1972	Axelsson	
3,672,378 A	6/1972	Silverman	

Primary Examiner—Paula A. Mortimer
(74) *Attorney, Agent, or Firm*—Dorsey & Whitney LLP

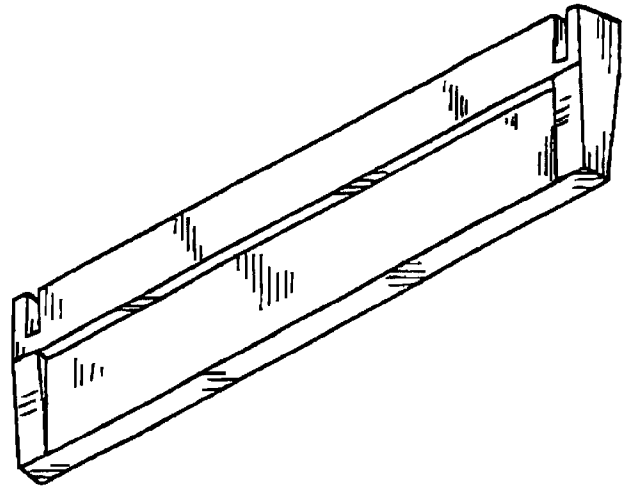
(57) **CLAIM**

The ornamental design for a single rail flosser tip cartridge, as shown and described.

DESCRIPTION

FIG. 1 is a top isometric view of a single rail flosser tip cartridge showing our new design;
FIG. 2 is a bottom isometric view thereof;
FIG. 3 is a top plan view thereof;
FIG. 4 is a front elevation view thereof, the rear elevation view being a mirror image thereof;
FIG. 5 is a bottom plan view thereof; and,
FIG. 6 is a right side elevation view thereof, the left side elevation view being a mirror image thereof.

1 Claim, 2 Drawing Sheets



U.S. PATENT DOCUMENTS

3,902,510 A	9/1975	Roth	5,050,625 A	9/1991	Siekmann
3,903,601 A	9/1975	Anderson et al.	5,067,223 A	11/1991	Bruno
3,967,617 A	7/1976	Krolik	5,069,621 A	12/1991	Paradis
3,978,852 A	9/1976	Annoni	5,071,348 A	12/1991	Woog
3,980,906 A	9/1976	Kuris et al.	5,094,256 A	3/1992	Barth
4,004,344 A	1/1977	Gold et al.	5,100,321 A	3/1992	Coss et al.
4,005,722 A	2/1977	Bragg	5,123,841 A	6/1992	Milner
4,008,728 A	2/1977	Sanchez	5,125,837 A	6/1992	Warrin et al.
4,019,522 A	4/1977	Elbreder	5,133,661 A	7/1992	Euvrard
4,048,723 A	9/1977	Thorup	5,138,733 A	8/1992	Bock
4,064,883 A	12/1977	Oldham	5,169,313 A	12/1992	Kline
4,133,339 A	1/1979	Naslund	5,170,809 A	12/1992	Imai et al.
4,192,035 A	3/1980	Kuris	5,174,314 A	12/1992	Charatan
4,205,664 A	6/1980	Baccialoni	5,183,063 A	2/1993	Ringle et al.
4,219,619 A	8/1980	Zarow	5,224,500 A	7/1993	Stella
4,235,253 A	11/1980	Moore	5,236,358 A	8/1993	Sieffert
RE30,536 E	3/1981	Perdreux, Jr.	5,247,716 A	9/1993	Bock
4,289,486 A	9/1981	Sargeant	5,293,886 A	3/1994	Czapor
4,307,740 A	12/1981	Florindez et al.	5,323,796 A	6/1994	Urso
4,319,377 A	3/1982	Tarrson et al.	5,369,831 A	12/1994	Bock
4,319,595 A	3/1982	Ulrich	5,393,229 A	2/1995	Ram
4,326,547 A	4/1982	Verplank	5,406,965 A	4/1995	Levine
4,326,548 A	4/1982	Wagner	5,411,041 A	5/1995	Ritter
4,333,197 A	6/1982	Kuris	5,419,346 A	5/1995	Tipp
D265,515 S	7/1982	Levine	5,419,703 A	5/1995	Warrin et al.
4,338,957 A	7/1982	Meibauer	5,482,466 A	1/1996	Haynes
4,347,839 A	9/1982	Youngclaus, Jr.	5,496,256 A	3/1996	Bock et al.
4,397,327 A	8/1983	Hadary	D370,125 S	5/1996	Craft et al.
D272,565 S	2/1984	Levine	5,546,624 A	8/1996	Bock
4,434,806 A	3/1984	Givens	5,573,020 A	11/1996	Robinson
4,458,702 A	7/1984	Grollimund	5,579,786 A	12/1996	Wolk et al.
4,505,678 A	3/1985	Andersson	5,606,984 A	3/1997	Gao
4,576,190 A	3/1986	Youssef	5,618,275 A	4/1997	Bock
4,577,649 A	3/1986	Shimenzov	5,700,146 A	12/1997	Kucar
4,605,025 A	8/1986	McSpadden	5,709,233 A	1/1998	Boland et al.
4,608,019 A	8/1986	Kumabe et al.	5,718,667 A	2/1998	Sugimoto et al.
4,617,718 A	10/1986	Andersson	5,738,575 A	4/1998	Bock
4,634,376 A	1/1987	Mossle et al.	5,787,908 A	8/1998	Robinson
4,787,847 A	11/1988	Martin et al.	5,827,064 A	10/1998	Bock
4,791,940 A	12/1988	Hirshfeld et al.	5,850,960 A	* 12/1998	Cadwell 225/58
4,811,445 A	3/1989	Lagieski et al.	5,855,216 A	1/1999	Robinson
4,820,153 A	4/1989	Romhild et al.	5,896,615 A	4/1999	Zaksenberg
4,820,154 A	4/1989	Romhild et al.	5,896,868 A	* 4/1999	Kyte 132/322
4,832,063 A	5/1989	Smole	5,899,693 A	5/1999	Himeno et al.
4,913,133 A	4/1990	Tichy	5,927,300 A	7/1999	Boland et al.
4,922,936 A	5/1990	Buzzi et al.	5,931,170 A	8/1999	Wu
4,995,403 A	2/1991	Beckman et al.	5,944,033 A	8/1999	Robinson
5,000,684 A	3/1991	Odrich	6,095,811 A	8/2000	Stearns
5,002,487 A	3/1991	Tichy	D437,090 S	* 1/2001	Lang et al. D28/66
5,016,660 A	5/1991	Boggs	D437,977 S	* 2/2001	Lang et al. D28/66

* cited by examiner

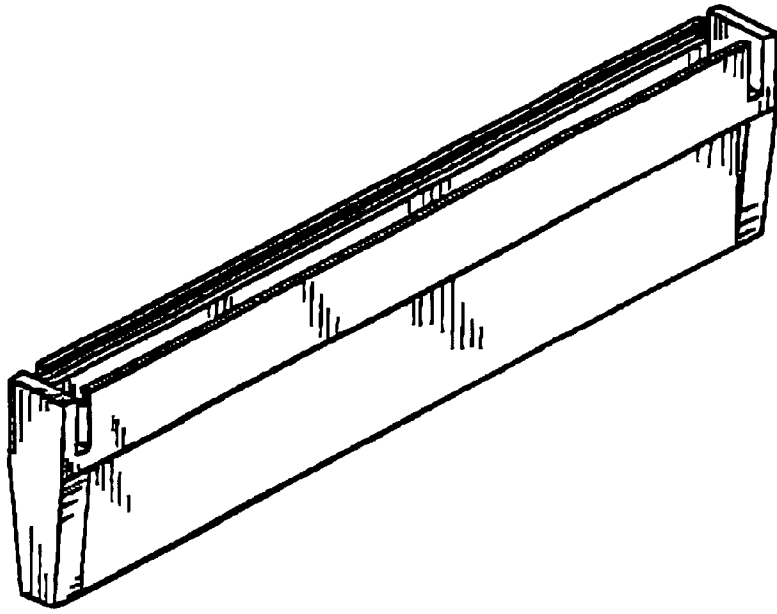


Fig. 1

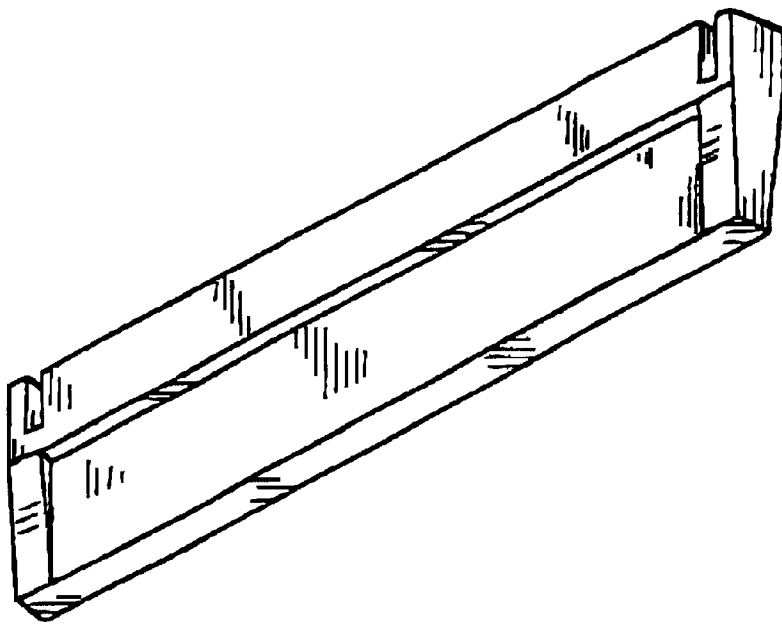


Fig. 2

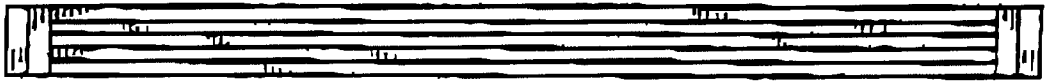


Fig. 3

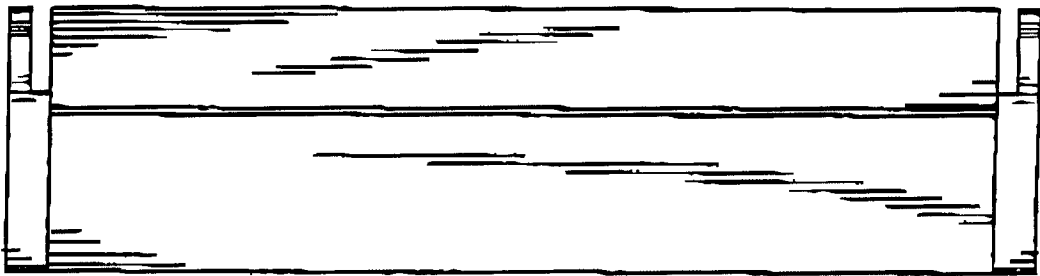


Fig. 4

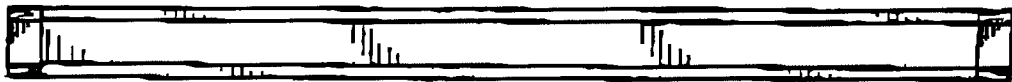


Fig. 5

Fig. 6

