



US00D650175S

(12) **United States Design Patent**
Lee

(10) **Patent No.:** **US D650,175 S**

(45) **Date of Patent:** **** Dec. 13, 2011**

(54) **BASKET FOR A COOLER**

(76) Inventor: **Justin Lee**, Houston, TX (US)

(**) Term: **14 Years**

(21) Appl. No.: **29/394,040**

(22) Filed: **Jun. 13, 2011**

(51) **LOC (9) Cl.** **03-01**

(52) **U.S. Cl.** **D3/306**

(58) **Field of Classification Search** D3/304–306,
D3/314–315; 206/509, 512–513, 557, 821;
211/13.1, 41.3, 41.4, 86.01, 88.01; 220/485,
220/491–494; D6/511, 566–567, 537–540,
D6/572–574

See application file for complete search history.

(56) **References Cited**

U.S. PATENT DOCUMENTS

| | | | | | | |
|-----------|---|---|---------|-----------------|-------|-----------|
| 2,662,662 | A | * | 12/1953 | Moorhead | | 220/485 |
| 2,968,418 | A | * | 1/1961 | Stoddard | | 206/509 |
| 3,272,377 | A | * | 9/1966 | Schray | | 220/494 |
| 3,279,641 | A | * | 10/1966 | Fredrick | | 220/494 |
| 3,647,077 | A | * | 3/1972 | Gillespie | | 211/133.5 |
| D264,761 | S | * | 6/1982 | Dekarski | | D3/306 |
| 4,337,872 | A | * | 7/1982 | Wright | | 220/491 |
| D296,601 | S | * | 7/1988 | Chap | | D3/306 |
| D301,431 | S | * | 6/1989 | Landis | | D7/402 |
| D326,946 | S | * | 6/1992 | Szuster | | D3/306 |
| D343,712 | S | * | 1/1994 | Linder | | D6/513 |
| D348,760 | S | * | 7/1994 | Linder | | D3/306 |
| D477,144 | S | * | 7/2003 | Remmers | | D3/306 |
| D498,632 | S | * | 11/2004 | Anderson et al. | | D6/566 |
| D507,108 | S | * | 7/2005 | Suero, Jr. | | D3/304 |
| D508,167 | S | * | 8/2005 | Anderson et al. | | D6/566 |
| D512,223 | S | * | 12/2005 | Snell | | D3/304 |

| | | | | | | |
|----------|---|---|---------|-----------------|-------|--------|
| D526,454 | S | * | 8/2006 | Plikuhn | | D32/55 |
| D547,094 | S | * | 7/2007 | Klein et al. | | D6/462 |
| D554,419 | S | * | 11/2007 | Thompson et al. | | D6/566 |
| D555,943 | S | * | 11/2007 | Butler et al. | | D6/491 |
| D556,476 | S | * | 12/2007 | Butler et al. | | D6/491 |
| D564,814 | S | * | 3/2008 | Snider | | D6/520 |
| D588,814 | S | * | 3/2009 | Ghiorghie | | D3/304 |
| D589,729 | S | * | 4/2009 | Klein et al. | | D6/510 |
| D616,680 | S | * | 6/2010 | Snider | | D6/513 |
| D628,388 | S | * | 12/2010 | Klein et al. | | D3/318 |
| D634,121 | S | * | 3/2011 | Goodman et al. | | D3/306 |
| D637,000 | S | * | 5/2011 | Goodman et al. | | D3/306 |
| D643,695 | S | * | 8/2011 | Goodman et al. | | D7/631 |

* cited by examiner

Primary Examiner — Elizabeth Albert

Assistant Examiner — Kelley Donnelly

(74) *Attorney, Agent, or Firm* — Egbert Law Offices PLLC

(57) **CLAIM**

The ornamental design for an basket for a cooler, as shown and described.

DESCRIPTION

FIG. 1 is an upper perspective view of the basket for a cooler showing my design.

FIG. 2 is a front view thereof;

FIG. 3 is a side view thereof;

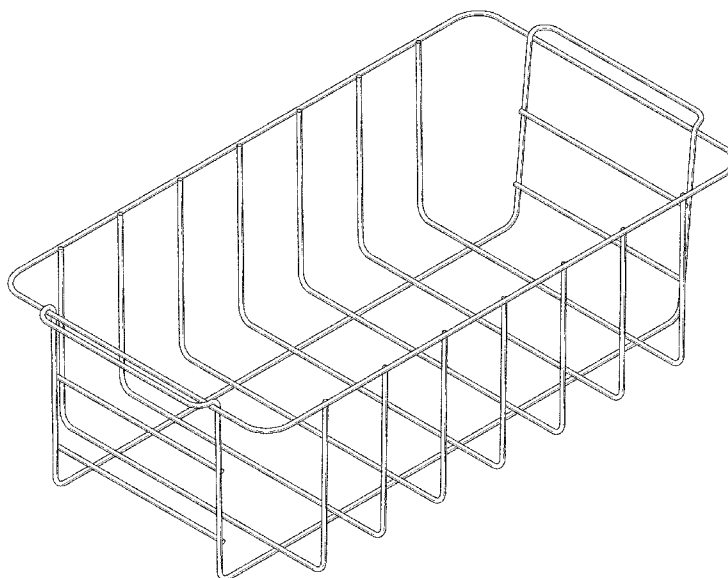
FIG. 4 is a top view thereof;

FIG. 5 is a bottom view thereof; and,

FIG. 6 is an upper perspective view showing the basket for a cooler positioned within a cooler.

The features presented in broken lines are for environmental purposes only and form no part of the claimed design.

1 Claim, 4 Drawing Sheets



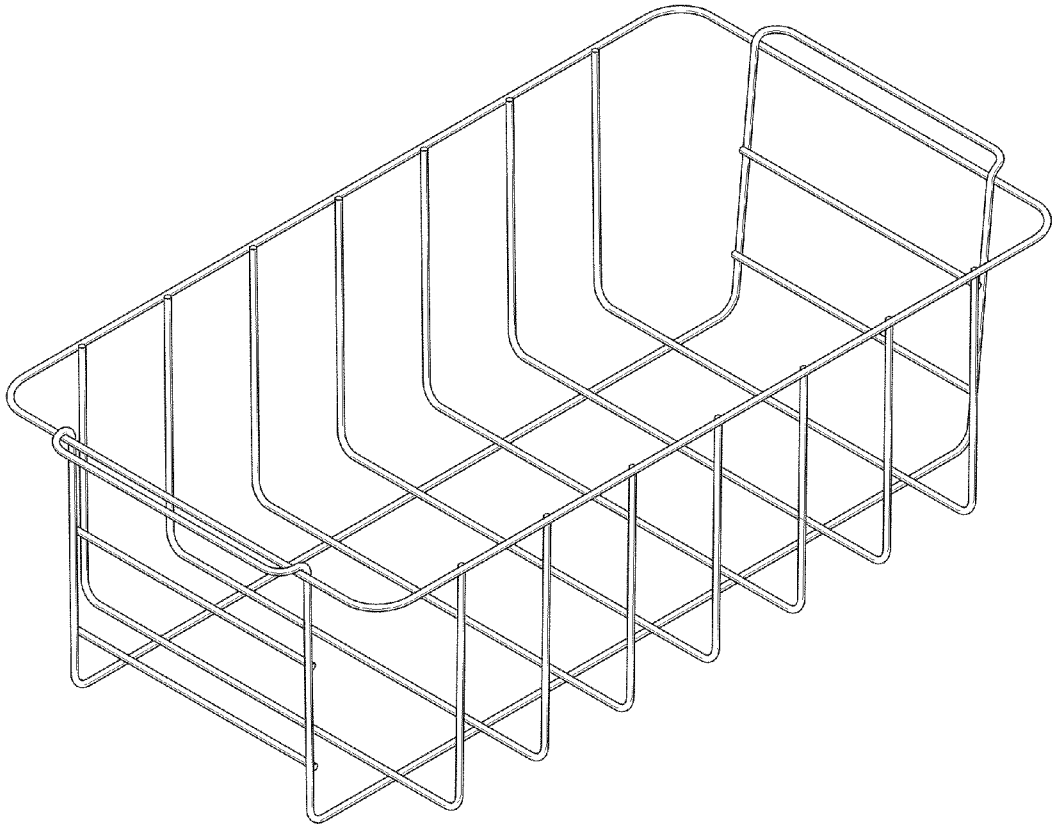


FIG. 1

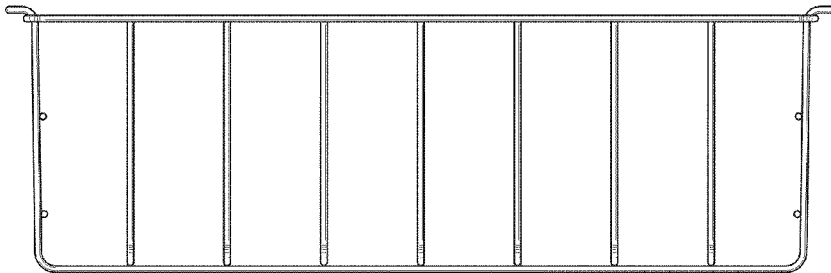


FIG. 2

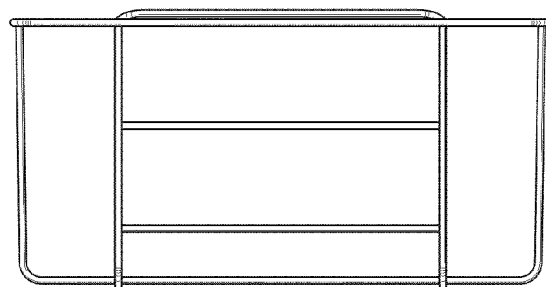


FIG. 3

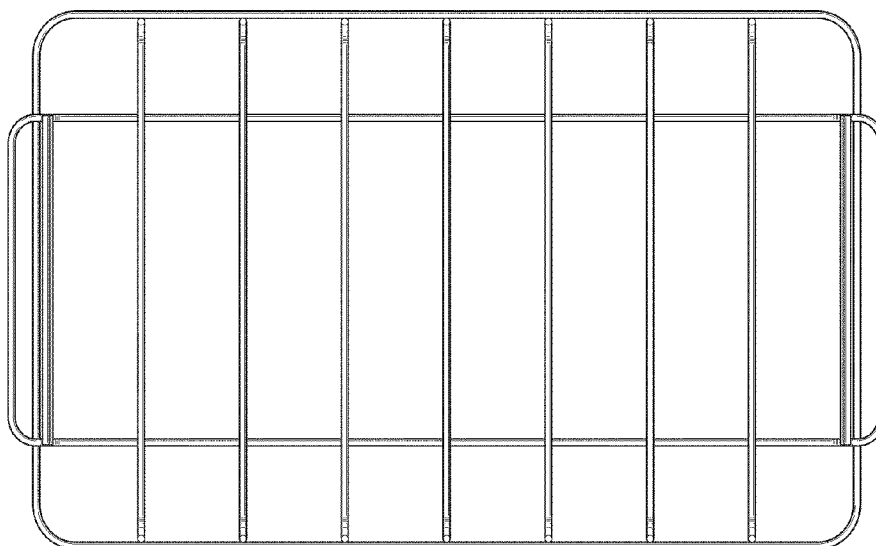


FIG. 4

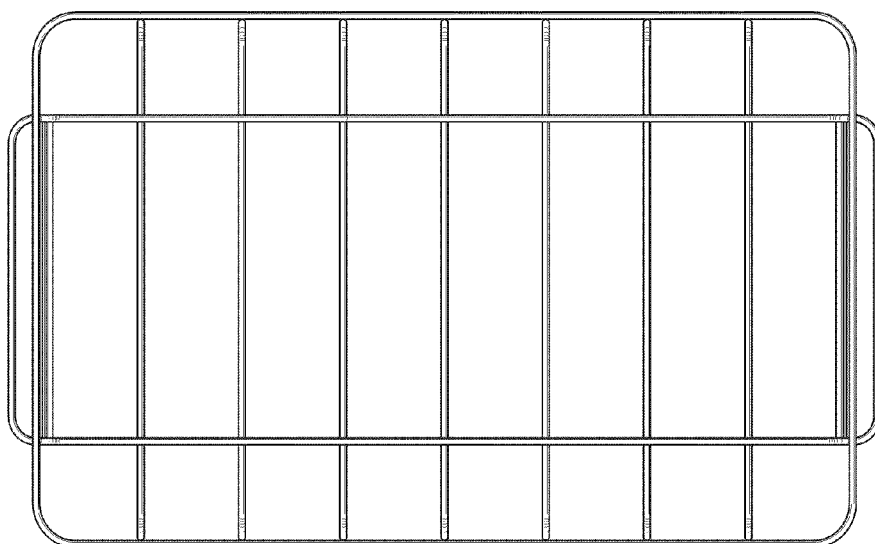


FIG. 5

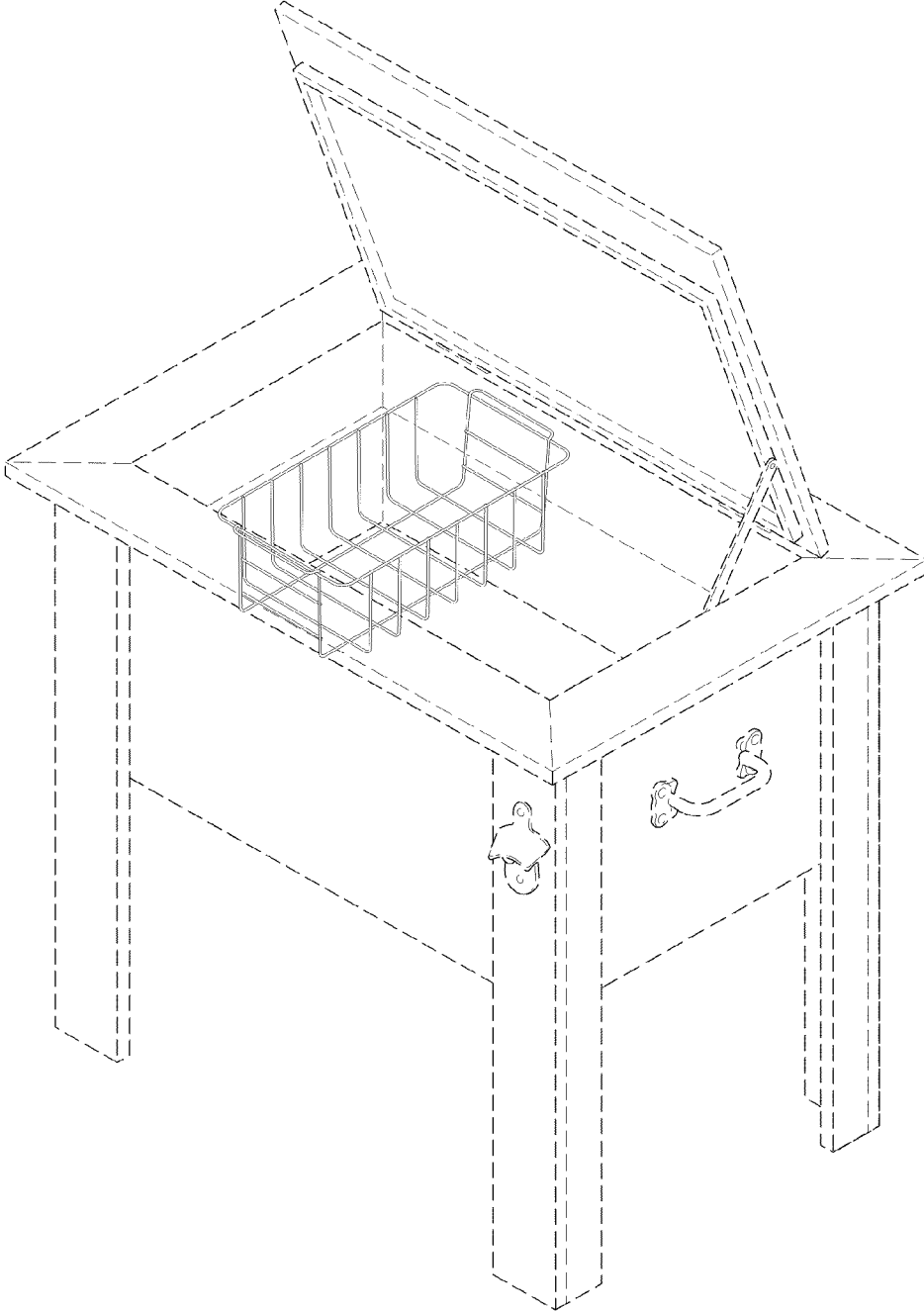


FIG. 6