



US00D334840S

United States Patent [19]

[11] Patent Number: **Des. 334,840**

Lin

[45] Date of Patent: **** Apr. 20, 1993**

[54] PICNIC CASE

[76] Inventor: **Stony Lin**, No. 11, Shing-Gong Rd.,
Yeong-Kang Industrial Dist., Tainan
Hsien, Taiwan

[**] Term: **14 Years**

[21] Appl. No.: **710,909**

[22] Filed: **Jun. 5, 1991**

[52] U.S. Cl. **D3/73; D3/66**

[58] Field of Search **D3/73, 76, 78, 33, 66,**
D3/44, 21; D16/200, 201, 205, 217, 218;
D9/423; D7/627, 606, 628; D21/110; 354/288,
75, 76, 174, 126; 206/316.2, 455, 456

[56] **References Cited**

U.S. PATENT DOCUMENTS

D. 181,353 11/1957 Goldfarb D16/218 X
D. 183,670 10/1958 Zagara et al. D16/218

D. 193,909 10/1962 Bloch D3/78 X
D. 321,089 10/1991 Miyahara D3/66 X
4,131,147 12/1978 Schrage D3/33 X

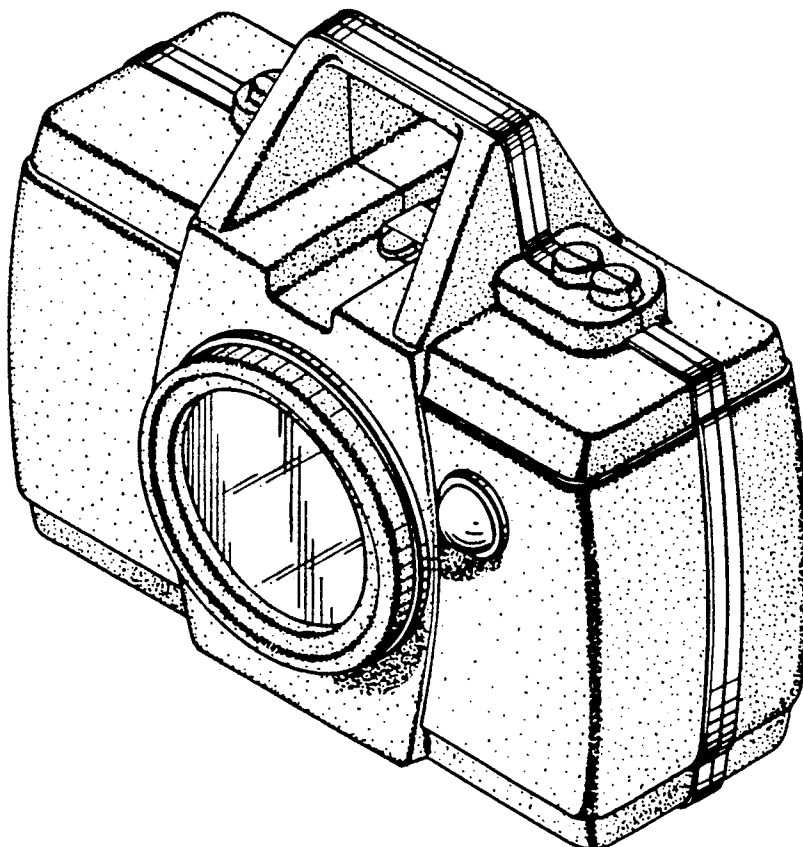
Primary Examiner—A. Hugo Word
Assistant Examiner—Paula Mortimor
Attorney, Agent, or Firm—Harness, Dickey & Pierce

[57] CLAIM

The ornamental design for a picnic case, as shown and described.

DESCRIPTION

FIG. 1 is a perspective view of a picnic case showing my new design;
FIG. 2 is a front elevational view thereof;
FIG. 3 is a rear elevational view thereof;
FIG. 4 is a left side view thereof;
FIG. 5 is a right side view thereof;
FIG. 6 is a top plan view thereof; and,
FIG. 7 is a bottom plan view thereof.



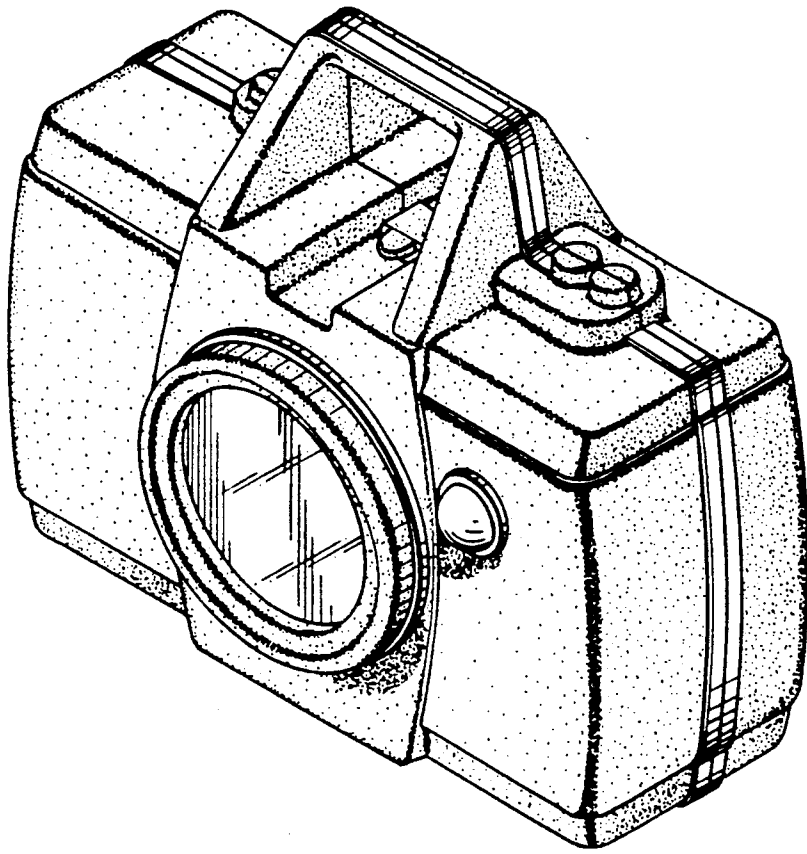


FIG. 1

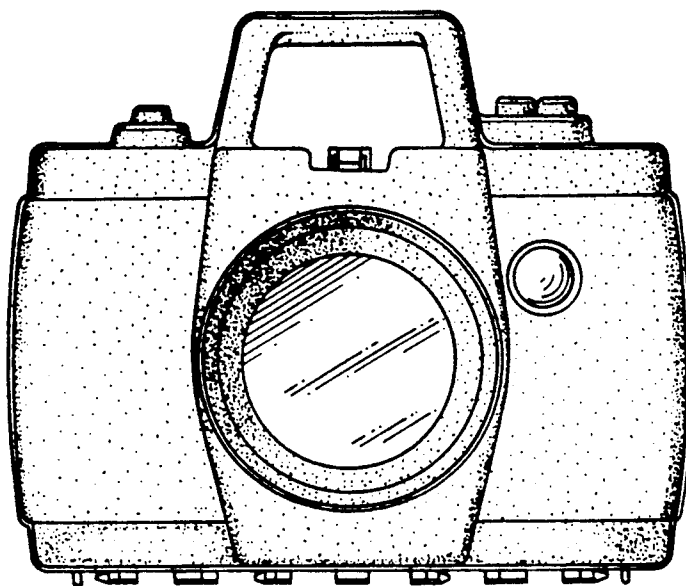


FIG. 2

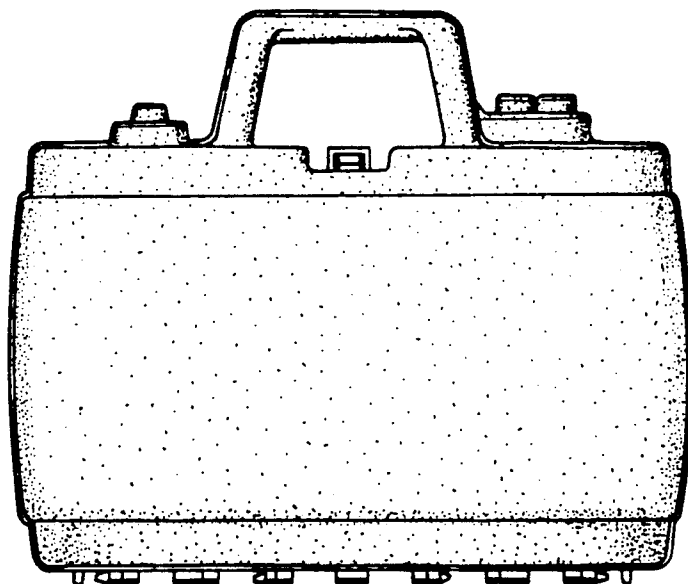


FIG. 3

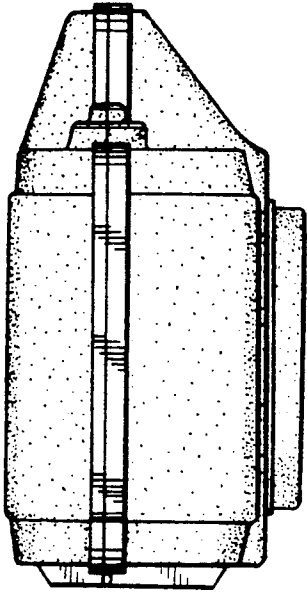


FIG. 4

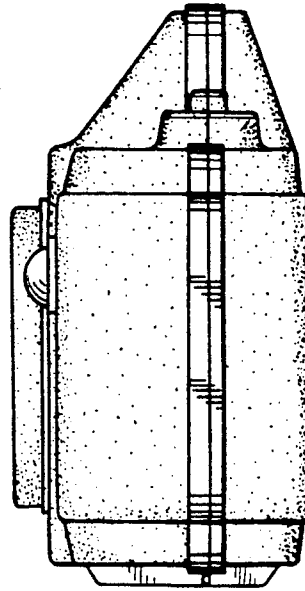


FIG. 5

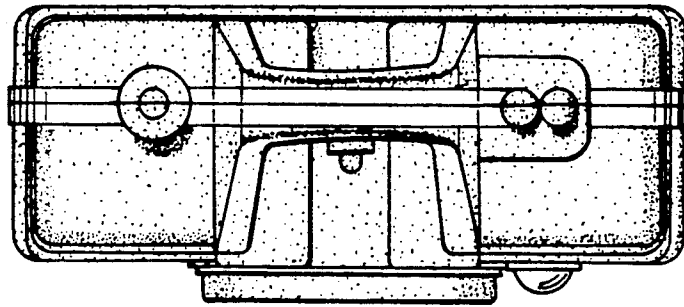


FIG. 6

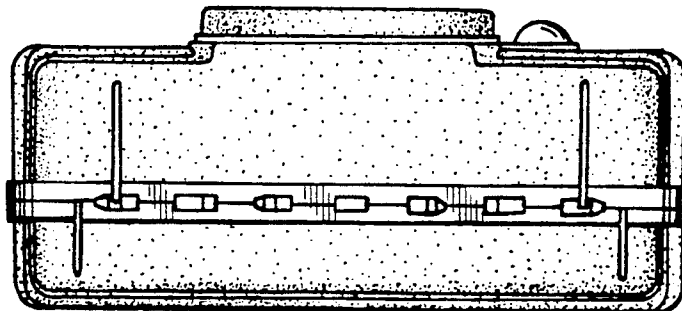


FIG. 7