



US00D844807S

(12) **United States Design Patent**  
**Blackwell et al.**

(10) **Patent No.:** **US D844,807 S**

(45) **Date of Patent:** **\*\* Apr. 2, 2019**

(54) **BASE PLATE FOR A SURGICAL PATIENT POSITIONER**

(71) Applicant: **Innovative Medical Products, Inc.**, Plainville, CT (US)

(72) Inventors: **Tim Blackwell**, Jupiter, FL (US); **Tamas Kovacs**, Bristol, CT (US)

(73) Assignee: **INNOVATIVE MEDICAL PRODUCTS, INC.**, Plainville, CT (US)

(\*\*) Term: **15 Years**

(21) Appl. No.: **29/557,839**

(22) Filed: **Mar. 11, 2016**

(51) **LOC (11) Cl.** ..... **24-99**

(52) **U.S. Cl.** ..... **D24/231**

(58) **Field of Classification Search**  
USPC ..... D24/231, 184, 152, 190, 181, 183, 155, D24/128, 110, 187; 210/231; 250/226; 128/DIG. 12, 882; 220/256.1  
CPC ..... A61L 2/26; A61M 5/142; A61G 13/1235; A61G 13/101; A61G 13/129; B01D 25/215; A61F 5/3761; G01T 1/1666  
See application file for complete search history.

(56) **References Cited**

**U.S. PATENT DOCUMENTS**

3,678,277	A *	7/1972	Greenspan	.....	G01T 1/1666 250/226
4,457,302	A *	7/1984	Caspari	.....	A61F 5/3761 128/882
D279,503	S *	7/1985	Halloran	.....	D24/155
4,537,561	A *	8/1985	Xanthopoulos	.....	A61M 5/142 128/DIG. 12
4,551,311	A *	11/1985	Lorenz	.....	A61L 2/26 220/256.1

D281,621	S *	12/1985	Weber	.....	D24/181
4,956,085	A *	9/1990	Kopf	.....	B01D 25/215 210/231
D485,909	S *	1/2004	White	.....	D24/190
D625,832	S *	10/2010	Meyer-Hayoz	.....	D24/152
D672,877	S *	12/2012	Schaet	.....	D24/184
D743,562	S *	11/2015	Suzuki	.....	D24/187
D783,389	S *	4/2017	Livengood	.....	D24/128
D790,684	S *	6/2017	Bhide	.....	D24/110
D791,954	S *	7/2017	Wapler	.....	D24/183
D813,398	S *	3/2018	Barber	.....	D24/183

(Continued)

*Primary Examiner* — Rhea Shields

(74) *Attorney, Agent, or Firm* — Damian Wasserbauer, Esq.; Wasserbauer Law LLC

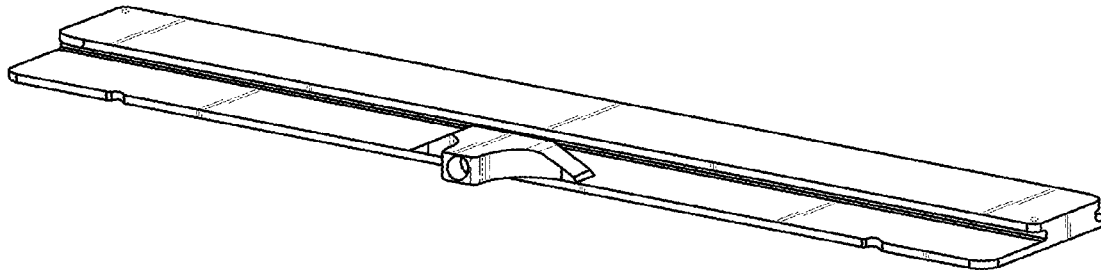
(57) **CLAIM**

The ornamental design for a base plate for a surgical patient positioner, as shown and described.

**DESCRIPTION**

FIG. 1 is a top perspective view of an base plate of a surgical patient positioner for a medical procedure in accordance with an embodiment of the present invention; FIG. 2 is a bottom perspective view thereof; FIG. 3 is a top view thereof; FIG. 4 is a bottom view thereof; FIG. 5 is a front view thereof; FIG. 6 is a back view thereof; FIG. 7 is a right side view thereof; FIG. 8 is a left side view thereof; and FIG. 9 is a bottom perspective view of the base plate for a surgical patient positioner shown in an environment; and, FIG. 10 is another perspective view of the base plate for a surgical patient positioner shown in another environment. In the drawings, the broken lines are for the purpose of illustrating environment only and form no part of the claimed design.

**1 Claim, 10 Drawing Sheets**



(56)

**References Cited**

U.S. PATENT DOCUMENTS

2016/0346150 A1\* 12/2016 Blackwell ..... A61G 13/129  
2017/0239118 A1\* 8/2017 Cole ..... A61G 13/101  
2017/0252249 A1\* 9/2017 Cole ..... A61G 13/1235

\* cited by examiner

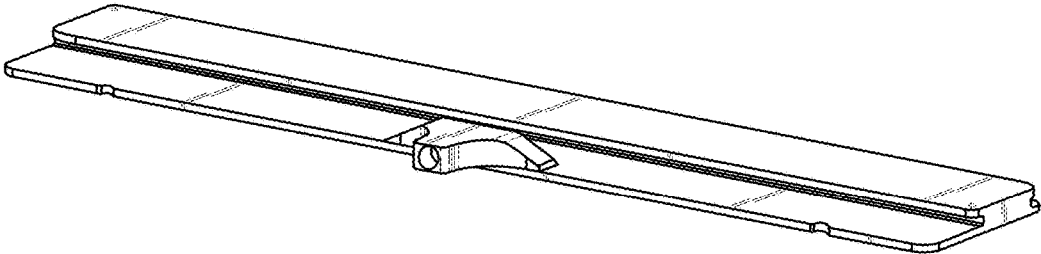


FIG. 1

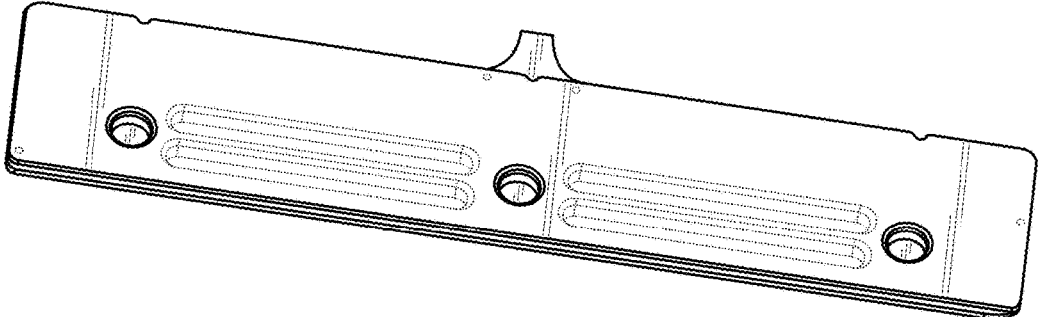


FIG. 2

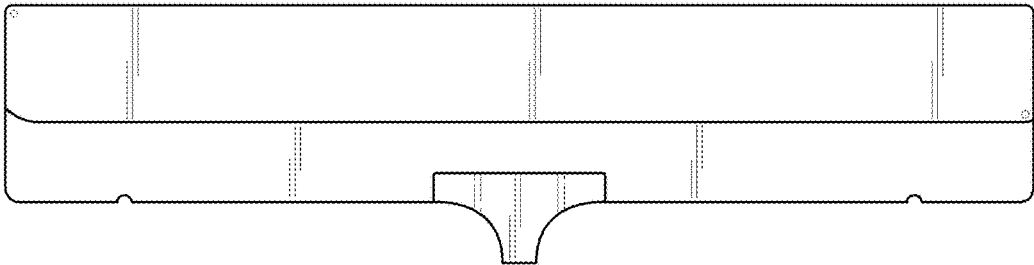


FIG. 3

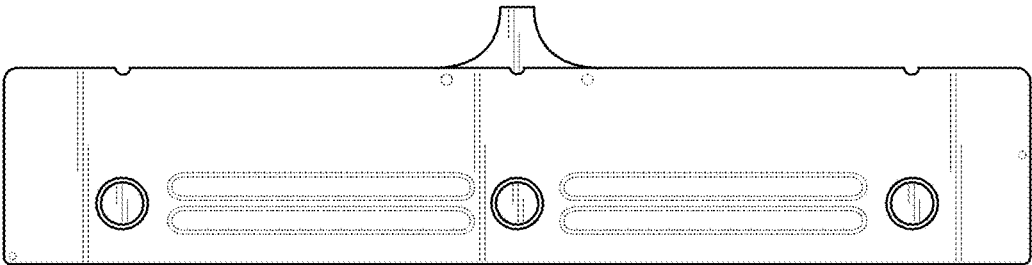


FIG. 4



FIG. 5



FIG. 6



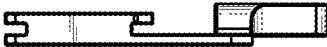


FIG. 7



FIG. 8

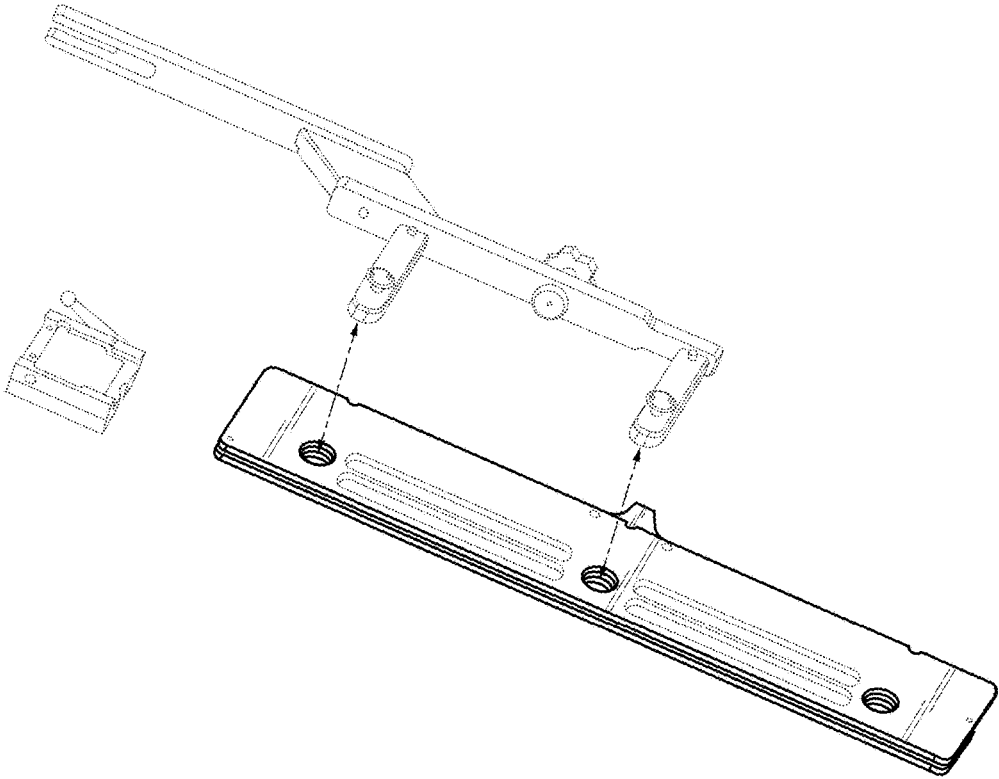


FIG. 9

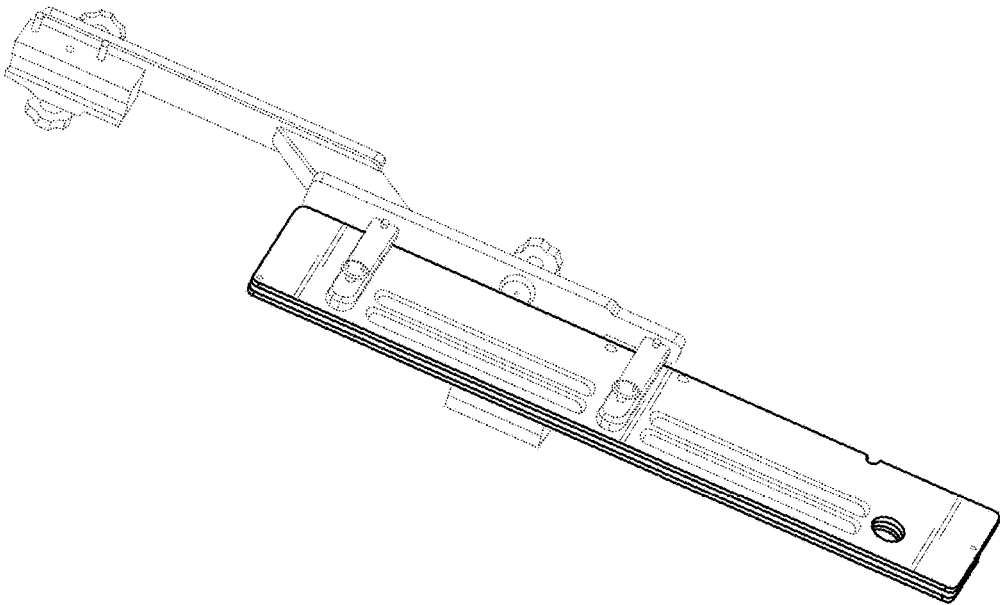


FIG. 10