



US00D450353B1

(12) **United States Design Patent** (10) **Patent No.:** **US D450,353 S**
LeSourd et al. (45) **Date of Patent:** **** Nov. 13, 2001**

(54) **TRAY FOR A GAMING DEVICE**

(75) Inventors: **Kehl T. LeSourd; Jean P. Legras; Joseph R. Hedrick**, all of Reno, NV (US)

(73) Assignee: **IGT, Reno, NV (US)**

(**) Term: **14 Years**

(21) Appl. No.: **29/130,981**

(22) Filed: **Oct. 12, 2000**

(51) **LOC (7) Cl.** **21-01**

(52) **U.S. Cl.** **D21/385; D21/369; D21/325; D21/333**

(58) **Field of Search** **D21/369, 370, D21/371, 324-329, 333, 385, 386; 273/148 B, 148 R, 138.1, 278, 288, 143 R, 141 A, 142 B, 139, 459-461, 269, 138.2; 463/16-22, 13, 29-35**

(56) **References Cited**

U.S. PATENT DOCUMENTS

- D. 236,720 * 9/1975 Baker D21/370
- D. 274,536 * 7/1984 Rodesch D21/325
- D. 284,592 7/1986 Drews et al. .

(List continued on next page.)

FOREIGN PATENT DOCUMENTS

- M9409371 * 3/1995 (DE) .
- 0426301 * 5/1991 (EP) 273/143 R
- 000443738 * 8/1991 (EP) 273/143 R
- 406304296 A * 11/1994 (JP) 273/148 R

OTHER PUBLICATIONS

- L.A. Slot Machine Co. Inc., Bally Gaming, Sigma Maodel B-9, Sep. 1997.*
- L.A. Slot Machine Co. Inc., Bally Gaming, Royal Diamond and Jungle Treasure, Sep. 1997.*
- Slot Machine published by Reno-Tahoe Specialty, Inc. in 1989.
- Elvis Brochure published by IGT in 1999.

- Totem Pole Brochure published by IGT in 1997.
- Slotopoly Brochure published by IGT in 1998.
- Wheel of Fortune Brochure published by IGT in 1999.
- Mega Jackpots Brochure published by IGT in 1998.
- Top Dollar Brochure published by IGT in 1998.
- Keno Machine Picture published by IGT. no date known.
- Morph Game Pictures published by IGT on Sep. 12, 1999.

Primary Examiner—Prabhakar Deshmukh

(74) *Attorney, Agent, or Firm*—Bell, Boyd & Lloyd LLC

(57) **CLAIM**

The ornamental design for a tray for a gaming device, as shown and described.

DESCRIPTION

This application is related to the following commonly-owned co-pending design and utility patent applications: "Display and Mask for a Gaming Device," Ser. No. 29/130,997, "Display and Mask for a Gaming Device," Ser. No. 29/131,001, "Display and Mask for a Gaming Device," Ser. No. 29/131,076, "Player Interface and Tray for a Gaming Device," Ser. No. 29/130,983, "Player Interface With Bolster for a Gaming Device," Ser. No. 29/130,980, "Plate for a Midsection of a Gaming Device," Ser. No. 29/130,992, "Top Unit and Base for a Gaming Device," Ser. No. 29/130,979, "Base for a Top Unit of a Gaming Device," Ser. No. 29/130,982, "Gaming Device," Ser. No. 29/130,996, and "Protected Coin Tray for Use with a Gaming Device," Ser. No. 09/685,186.

FIG. 1 is a front perspective view of a gaming device showing the tray of our new design, that portion of the gaming device shown in phantom is not part of the design sought to be patented and is provided for environmental purposes only;

FIG. 2 is an enlarged front perspective view of the tray of our new design;

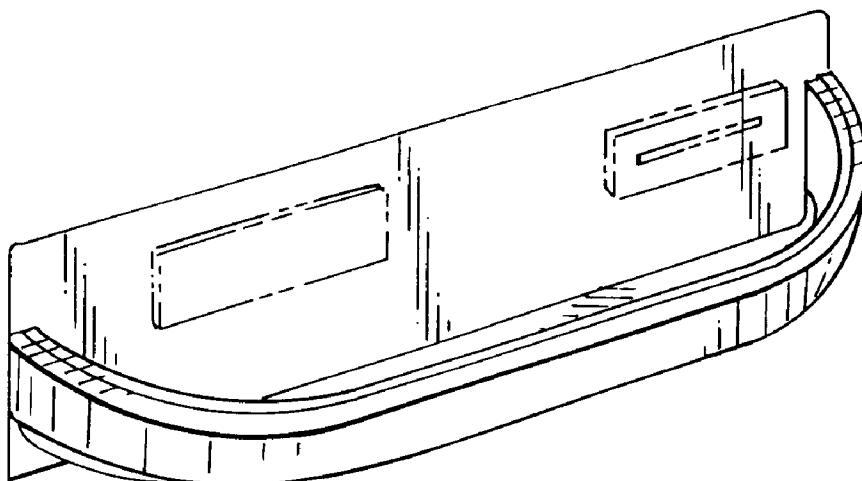
FIG. 3 is a left side elevation view of the tray, the right side being a mirror image thereof;

FIG. 4 is a top plan view of the tray;

FIG. 5 is a front elevational view of the tray; and,

FIG. 6 is a bottom plan view of the tray of our design.

1 Claim, 1 Drawing Sheet



U.S. PATENT DOCUMENTS

D. 301,494	*	6/1989	Gutknecht	D21/385	3,259,389	*	7/1966	Blondell	463/17
D. 333,164	*	2/1993	Kraft et al.	D21/325	4,695,053		9/1987	Vazquez, Jr. et al. .	
D. 383,802	*	9/1997	Levy	D21/385	4,991,848		2/1991	Greenwood et al. .	
D. 397,732	*	9/1998	Serowik et al.	D21/369	5,611,535		3/1997	Tiberio .	
D. 400,597		11/1998	Hedrick et al. .		5,813,914	*	9/1998	McKay et al.	463/20
D. 403,363		12/1998	McGahn et al. .		5,820,460	*	10/1998	Fulton	D21/369
D. 404,084		1/1999	Hedrick et al. .		5,984,781		11/1999	Sunaga .	
D. 404,436		1/1999	McGahn et al. .		6,012,982		1/2000	Piechowiak et al. .	
D. 406,615		3/1999	Griswold et al. .		6,047,966	*	4/2000	Hishinuma et al.	273/148 R
D. 412,347		7/1999	DeSimone et al. .		6,056,642		5/2000	Bennett .	
D. 416,054		11/1999	McGahn et al. .		6,102,394	*	8/2000	Wurz et al.	273/138.2
D. 417,145	*	11/1999	McLaughlin	D21/325	6,102,798		8/2000	Bennett .	
D. 421,277		2/2000	McGahn et al. .		6,161,805		12/2000	Wells .	
D. 439,931	*	4/2001	Yamaguchi	D21/369	6,168,522		1/2001	Walker et al. .	

* cited by examiner

FIG. 1

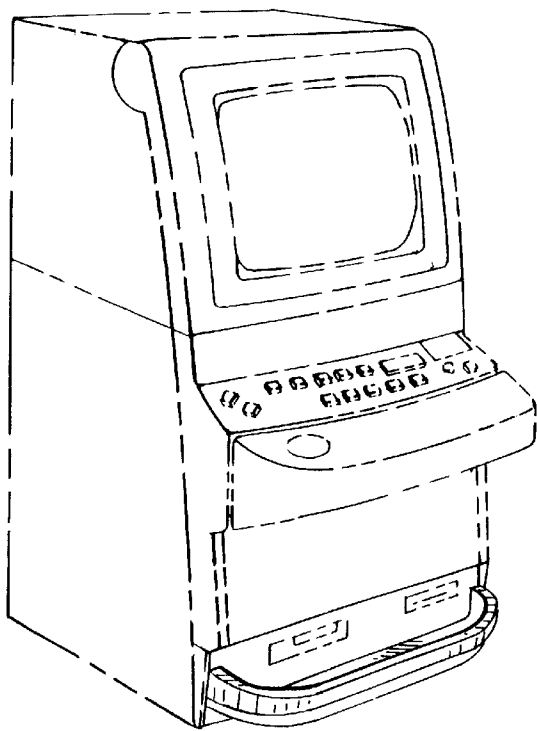


FIG. 2

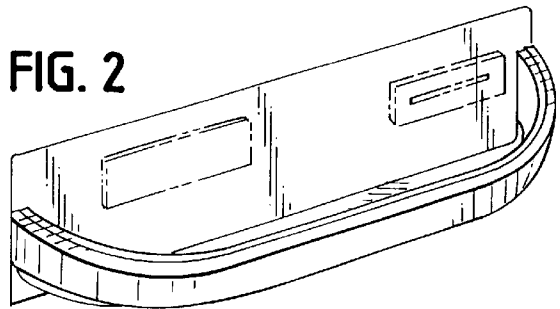


FIG. 3

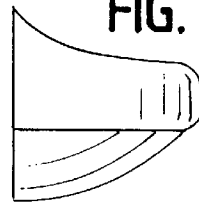


FIG. 4

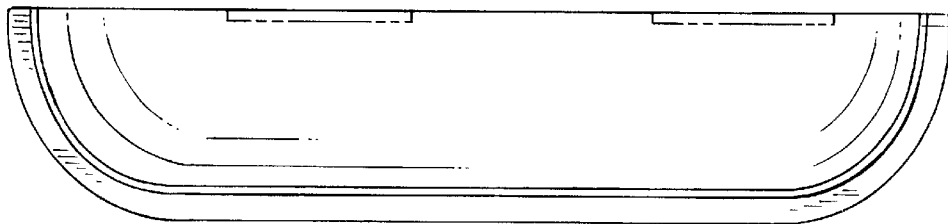


FIG. 5

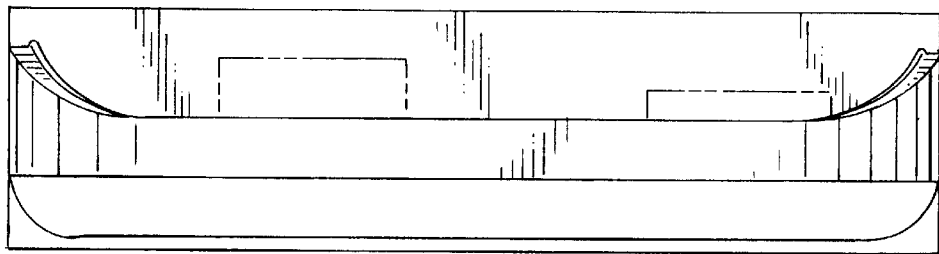


FIG. 6

