



US00D679561S

(12) **United States Design Patent**  
**Price**

(10) **Patent No.:** **US D679,561 S**

(45) **Date of Patent:** **\*\* Apr. 9, 2013**

(54) **HEAT GUN**

(76) Inventor: **Richard Price**, Woking (GB)

(\*\*) Term: **14 Years**

(21) Appl. No.: **29/388,108**

(22) Filed: **Mar. 24, 2011**

(51) **LOC (9) Cl.** ..... **08-05**

(52) **U.S. Cl.** ..... **D8/29.1**

(58) **Field of Classification Search** ..... D8/14.1,  
D8/29.1–29.2, 30; 219/222, 225, 227, 229,  
219/238; D28/12–13, 18, 35; 392/383–385  
See application file for complete search history.

(56) **References Cited**

**U.S. PATENT DOCUMENTS**

D283,259	S	*	4/1986	Stansbury, Jr.	.....	D28/13
D310,733	S	*	9/1990	Gelinas	.....	D28/13
D334,876	S	*	4/1993	Swetish	.....	D8/29.1
5,841,943	A	*	11/1998	Nosenchuck	.....	392/385
D456,679	S	*	5/2002	Cheng	.....	D8/29.1
D457,044	S	*	5/2002	Cheng	.....	D8/29.1
D457,407	S	*	5/2002	Pretzell	.....	D8/29.1
6,738,564	BI	*	5/2004	Tung	.....	392/385
D552,443	S	*	10/2007	Aglassinger et al.	.....	D8/29.1
D572,097	S	*	7/2008	Yung-Kuan	.....	D8/29.1

D615,834	S	*	5/2010	Netzler	.....	D8/29.1
D615,835	S	*	5/2010	Netzler	.....	D8/29.1
D639,129	S	*	6/2011	Van Wambeke	.....	D8/29.1
2008/0181590	A1	*	7/2008	Radwill et al.	.....	392/385
2010/0065545	A1	*	3/2010	Chung et al.	.....	219/227

\* cited by examiner

*Primary Examiner* — Philip S Hyder

*Assistant Examiner* — Roselynn Cody

(74) *Attorney, Agent, or Firm* — Gary E. Lambert; David J. Connaughton, Jr.; Mutua Mattu

(57) **CLAIM**

The ornamental design for a heat gun, as shown and described.

**DESCRIPTION**

FIG. 1 is an isometric view of the heat gun, which embodies my design;

FIG. 2 is a top plan view thereof;

FIG. 3 is a front view thereof;

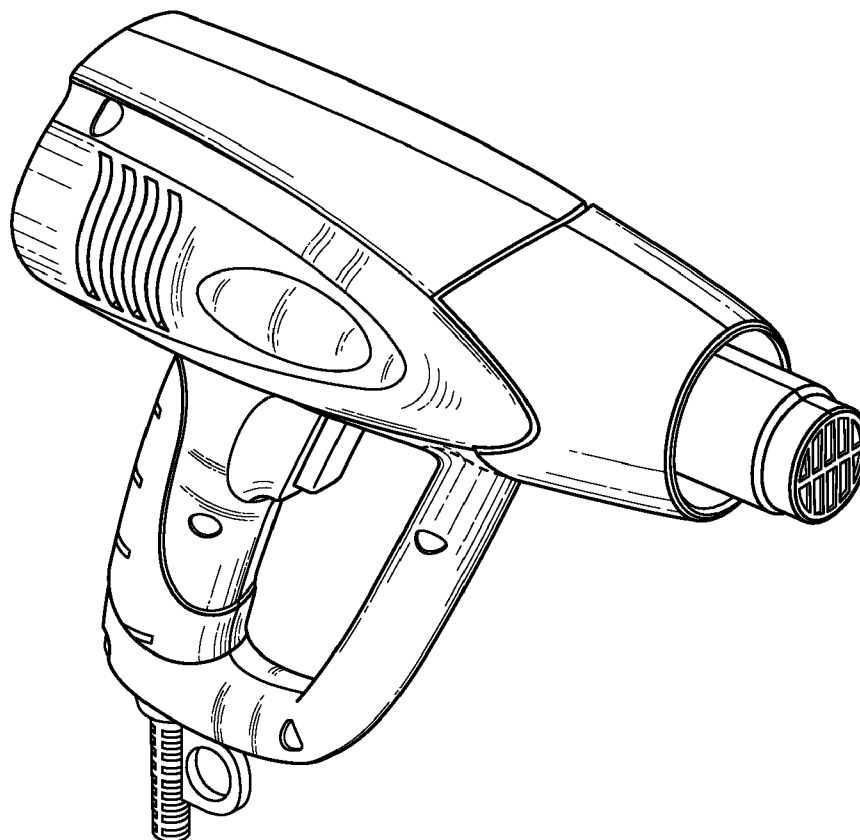
FIG. 4 is a rear view thereof;

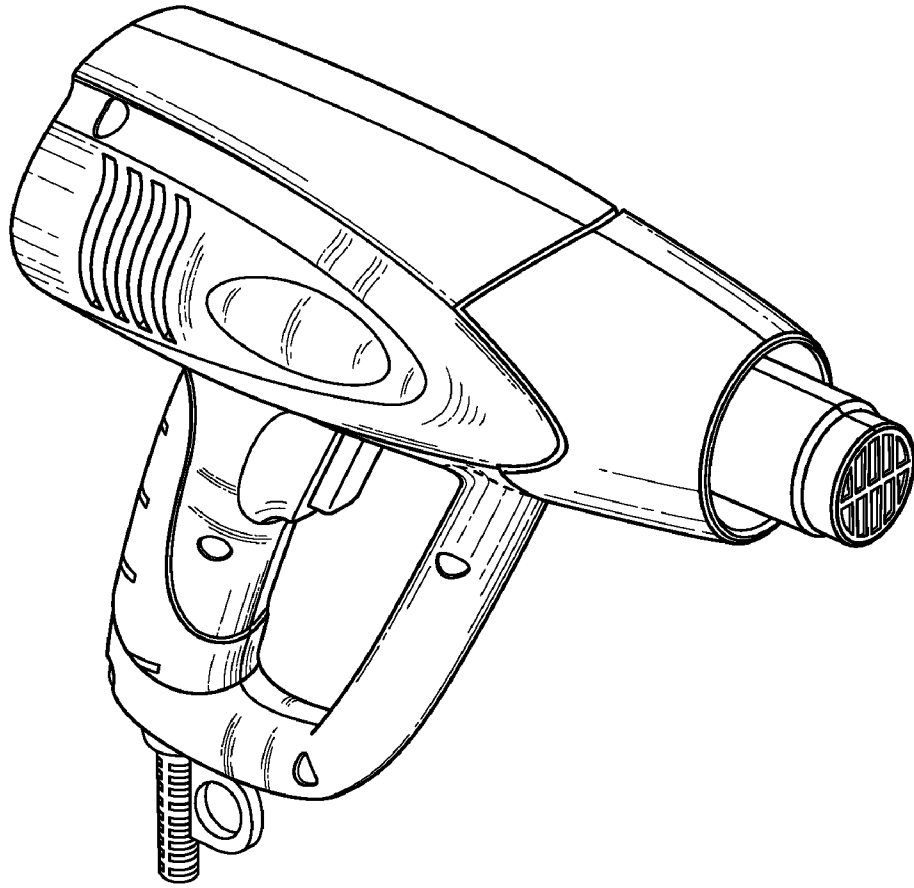
FIG. 5 is a left side view thereof; and,

FIG. 6 is a right side view thereof.

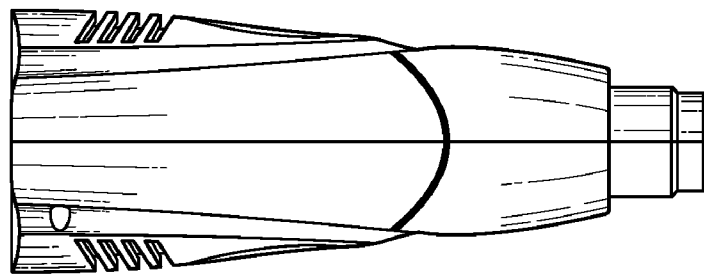
The broken lines in the drawings illustrate features of the heat gun that form no part of the claimed design.

**1 Claim, 3 Drawing Sheets**

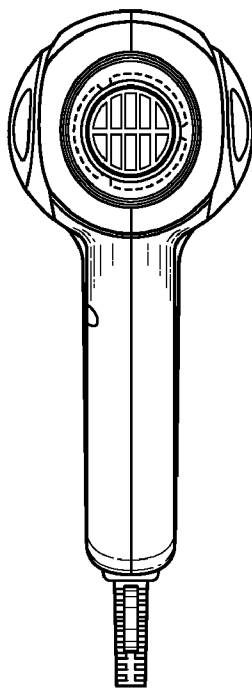




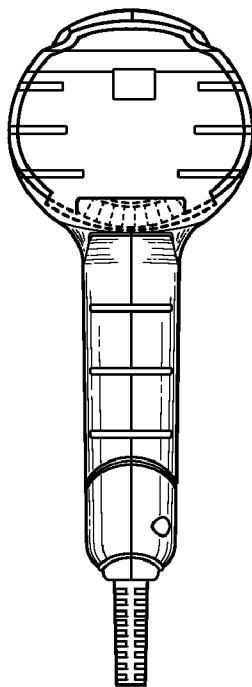
*Fig. 1*



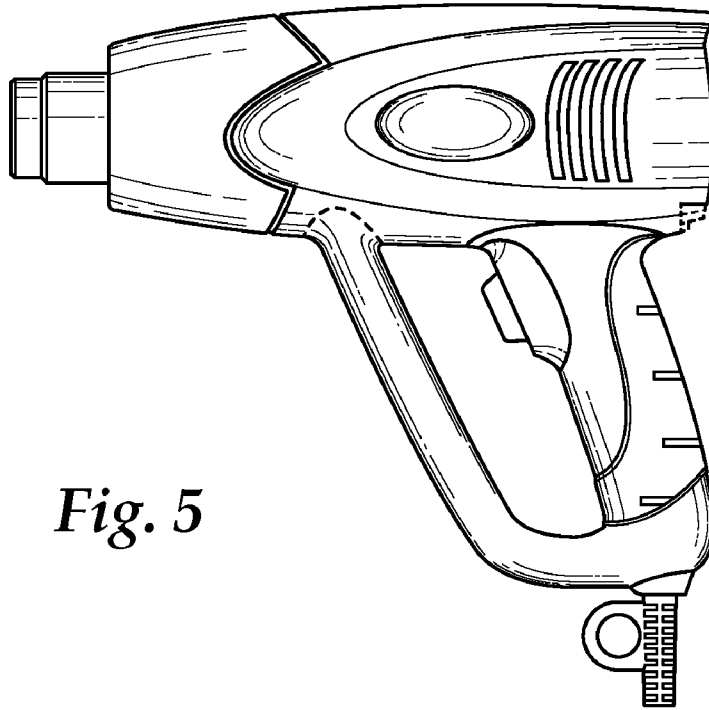
*Fig. 2*



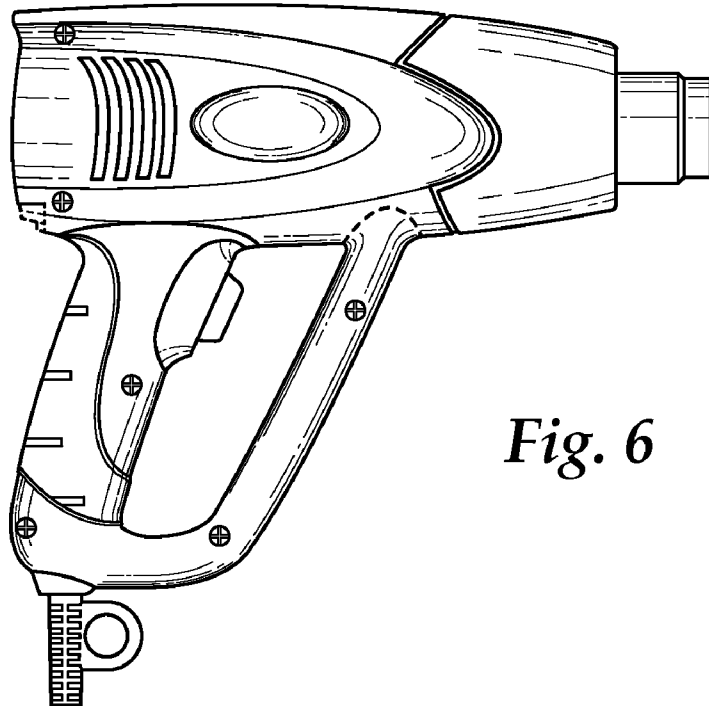
*Fig. 3*



*Fig. 4*



*Fig. 5*



*Fig. 6*