



- (51) International Patent Classification:  
F24J 2/52 (2006.01) H01L 31/042 (2006.01)
- (21) International Application Number:  
PCT/US2011/048608
- (22) International Filing Date:  
22 August 2011 (22.08.2011)
- (25) Filing Language: English
- (26) Publication Language: English
- (30) Priority Data:  
61/402,268 26 August 2010 (26.08.2010) US
- (71) Applicant (for all designated States except US): **PETRA SOLAR, INC.** [US/US]; 300-G Corporate Court, South Plainfield, NJ 07080 (US).
- (72) Inventors; and
- (75) Inventors/Applicants (for US only): **BELAIDI, Hakim, F.** [US/US]; 406 Bay Road, P.O. Box 488, Durham, NH 03824 (US). **DELUCA, Joseph, R.** [US/US]; 54 Mill Pond Road, Jackson, NJ 08527 (US). **DECKER, Ronald, A.** [US/US]; 36 Lawrence Lane, Turnersville, NJ 08012 (US). **RUSSO, Anthony, L.** [US/US]; 51 Grace Drive, Old Bridge, NJ 08857 (US). **FASANELLA, Kenneth, W.**

[US/US]; 164 Navesink River Road, Red Bank, NJ 07701 (US). **MODICK, Bruce** [US/US]; 115 Overlook Avenue, Boonton, NJ 07005 (US).

- (74) Agent: **BRUESS, Steven, C.**; Merchant & Gould P.C., P.O. Box 2903, Minneapolis, MN 55402-0903 (US).
- (81) Designated States (unless otherwise indicated, for every kind of national protection available): AE, AG, AL, AM, AO, AT, AU, AZ, BA, BB, BG, BH, BR, BW, BY, BZ, CA, CH, CL, CN, CO, CR, CU, CZ, DE, DK, DM, DO, DZ, EC, EE, EG, ES, FI, GB, GD, GE, GH, GM, GT, HN, HR, HU, ID, IL, IN, IS, JP, KE, KG, KM, KN, KP, KR, KZ, LA, LC, LK, LR, LS, LT, LU, LY, MA, MD, ME, MG, MK, MN, MW, MX, MY, MZ, NA, NG, NI, NO, NZ, OM, PE, PG, PH, PL, PT, QA, RO, RS, RU, SC, SD, SE, SG, SK, SL, SM, ST, SV, SY, TH, TJ, TM, TN, TR, TT, TZ, UA, UG, US, UZ, VC, VN, ZA, ZM, ZW.
- (84) Designated States (unless otherwise indicated, for every kind of regional protection available): ARIPO (BW, GH, GM, KE, LR, LS, MW, MZ, NA, SD, SL, SZ, TZ, UG, ZM, ZW), Eurasian (AM, AZ, BY, KG, KZ, MD, RU, TJ, TM), European (AL, AT, BE, BG, CH, CY, CZ, DE, DK, EE, ES, FI, FR, GB, GR, HR, HU, IE, IS, IT, LT, LU, LV, MC, MK, MT, NL, NO, PL, PT, RO, RS, SE, SI, SK, SM,

[Continued on next page]

(54) Title: ROTATABLE MOUNTING SYSTEM

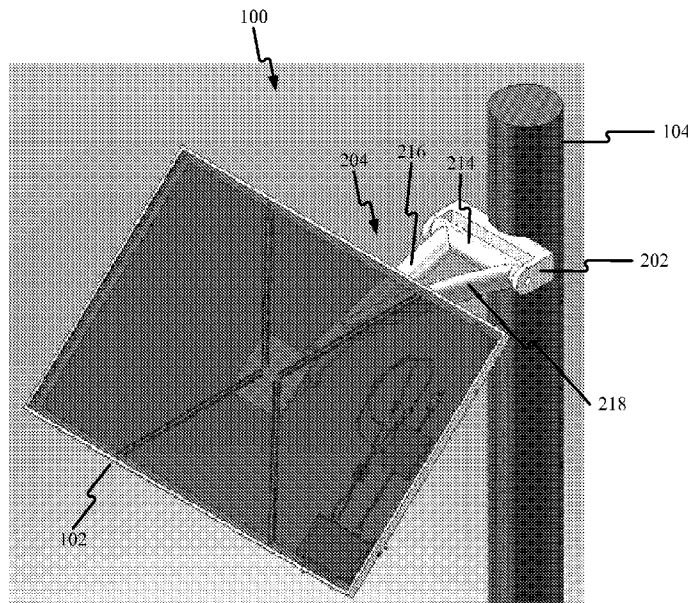


FIG. 3

(57) Abstract: A rotatable assembly for supporting a fixture from a structure may be provided. The rotatable assembly may comprise a mounting bracket and a support arm rotatably attached to the mounting bracket. The support arm may have a connection point for receiving the fixture.





TR), OAPI (BF, BJ, CF, CG, CI, CM, GA, GN, GQ, GW, ML, MR, NE, SN, TD, TG).

— before the expiration of the time limit for amending the claims and to be republished in the event of receipt of amendments (Rule 48.2(h))

**Published:**

— with international search report (Art. 21(3))

**(88) Date of publication of the international search report:**

31 May 2012

## INTERNATIONAL SEARCH REPORT

International application No.  
**PCT/US2011/048608****A. CLASSIFICATION OF SUBJECT MATTER***F24J 2/52(2006.01)i, H01L 31/042(2006.01)i*

According to International Patent Classification (IPC) or to both national classification and IPC

**B. FIELDS SEARCHED**

Minimum documentation searched (classification system followed by classification symbols)

F24J 2/52; E04G 3/00; A45B 17/00; H02G 1/02; F16M 11/24; A45B 25/00; F16M 13/00

Documentation searched other than minimum documentation to the extent that such documents are included in the fields searched

Korean utility models and applications for utility models

Japanese utility models and applications for utility models

Electronic data base consulted during the international search (name of data base and, where practicable, search terms used)

eKOMPASS(KIPO internal) &amp; Keywords: bracket, rotate, support

**C. DOCUMENTS CONSIDERED TO BE RELEVANT**

Category*	Citation of document, with indication, where appropriate, of the relevant passages	Relevant to claim No.
A	JP 2000-115929 A (FUJII DENKO CO LTD et al.) 21 April 2000 See abstract and figs. 1-3, 8.	1-20
A	US 2008-0078905 A1 (SHILLINGTON; ANDREW E.) 03 April 2008 See abstract and figs. 1, 4.	1-20
A	US 6321763 B1 (MA; JOEN SHEN) 27 November 2001 See abstract and fig. 1.	1-20

 Further documents are listed in the continuation of Box C. See patent family annex.

\* Special categories of cited documents:

"A" document defining the general state of the art which is not considered to be of particular relevance

"E" earlier application or patent but published on or after the international filing date

"L" document which may throw doubts on priority claim(s) or which is cited to establish the publication date of citation or other special reason (as specified)

"O" document referring to an oral disclosure, use, exhibition or other means

"P" document published prior to the international filing date but later than the priority date claimed

"T" later document published after the international filing date or priority date and not in conflict with the application but cited to understand the principle or theory underlying the invention

"X" document of particular relevance; the claimed invention cannot be considered novel or cannot be considered to involve an inventive step when the document is taken alone

"Y" document of particular relevance; the claimed invention cannot be considered to involve an inventive step when the document is combined with one or more other such documents, such combination being obvious to a person skilled in the art

"&amp;" document member of the same patent family

Date of the actual completion of the international search

27 MARCH 2012 (27.03.2012)

Date of mailing of the international search report

**09 APRIL 2012 (09.04.2012)**

Name and mailing address of the ISA/KR

Korean Intellectual Property Office  
Government Complex-Daejeon, 189 Cheongsu-ro,  
Seo-gu, Daejeon 302-701, Republic of Korea

Facsimile No. 82-42-472-7140

Authorized officer

HA, Jeong Kyun

Telephone No. 82-42-481-8361



**INTERNATIONAL SEARCH REPORT**

Information on patent family members

International application No.

**PCT/US2011/048608**

Patent document cited in search report	Publication date	Patent family member(s)	Publication date
JP 2000-115929 A	21.04.2000	None	
US 2008-0078905 A1	03.04.2008	US 7380761 B2 WO 2008-042501 A2 WO 2008-042501 A3	03.06.2008 10.04.2008 04.12.2008
US 6321763 B1	27.11.2001	TW 437320 U TW 437320 Y	28.05.2001 28.05.2001