



US00D463613S

(12) **United States Design Patent** (10) **Patent No.:** **US D463,613 S**
Block (45) **Date of Patent:** **** Sep. 24, 2002**

(54) **ROTATABLE MOUNTING FIXTURE FOR A LAMP**

D434,518 S * 11/2000 Rivers D26/142

* cited by examiner

(76) Inventor: **Lawrence M. Block**, 1303 Western Ave., Las Vegas, NV (US) 89102-2502

Primary Examiner—Jennifer Rivard

(74) *Attorney, Agent, or Firm*—Leonard Weiss

(**) Term: **14 Years**

(57) **CLAIM**

(21) Appl. No.: **29/151,664**

The ornamental design for a rotatable mounting fixture for a lamp, as shown and described.

(22) Filed: **Dec. 6, 2001**

DESCRIPTION

(51) **LOC (7) Cl.** **26-99**

(52) **U.S. Cl.** **D26/142; D26/110**

(58) **Field of Search** D26/93, 102-112, D26/138, 142-151, 153; 362/410-414

FIG. 1 is a perspective view rotatable mounting fixture for a lamp showing my new design;

FIG. 2 is a top plan view thereof;

FIG. 3 is a bottom plan view thereof;

FIG. 4 is a perspective view thereof after having been rotated with respect to its base; and,

FIG. 5 is a perspective view thereof with a panel removed.

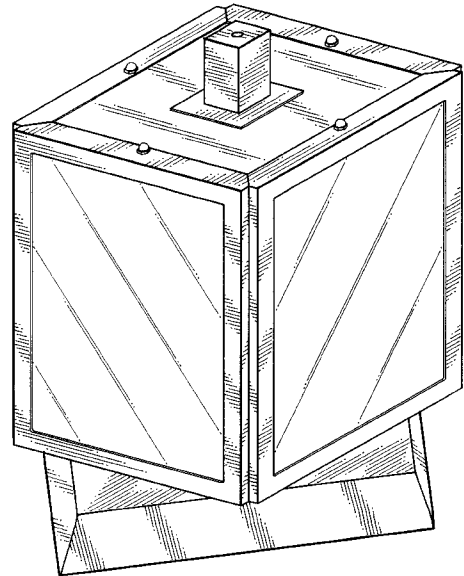
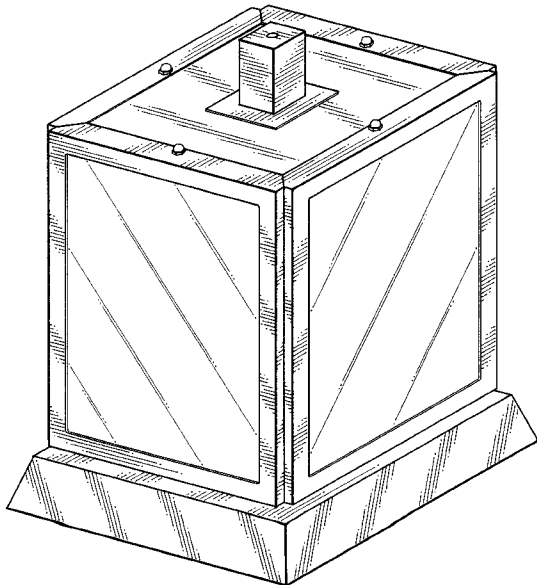
(56) **References Cited**

U.S. PATENT DOCUMENTS

D345,024 S * 3/1994 Fox D26/93

D430,694 S * 9/2000 Chiang D26/110

1 Claim, 4 Drawing Sheets



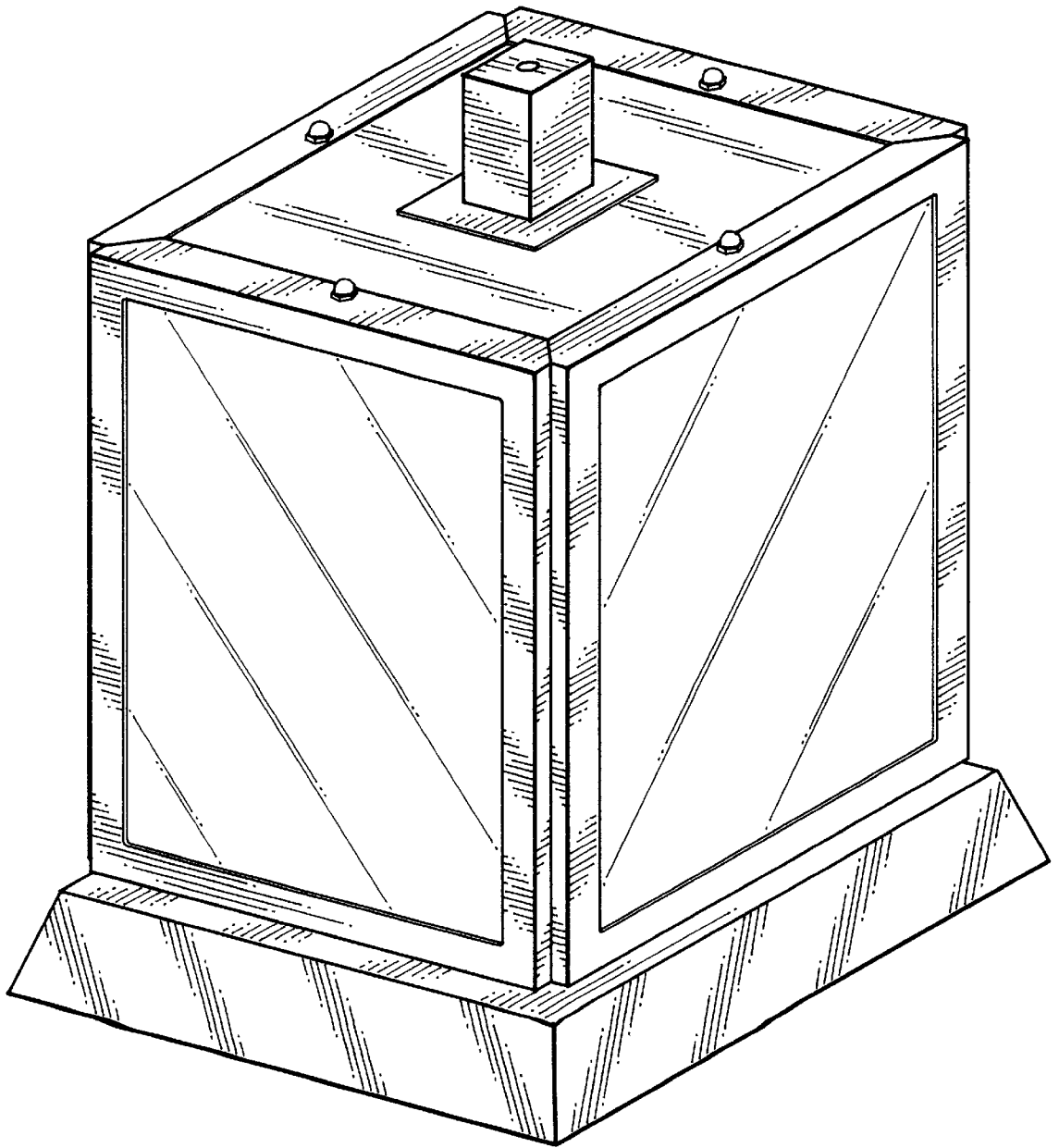


FIG. 1

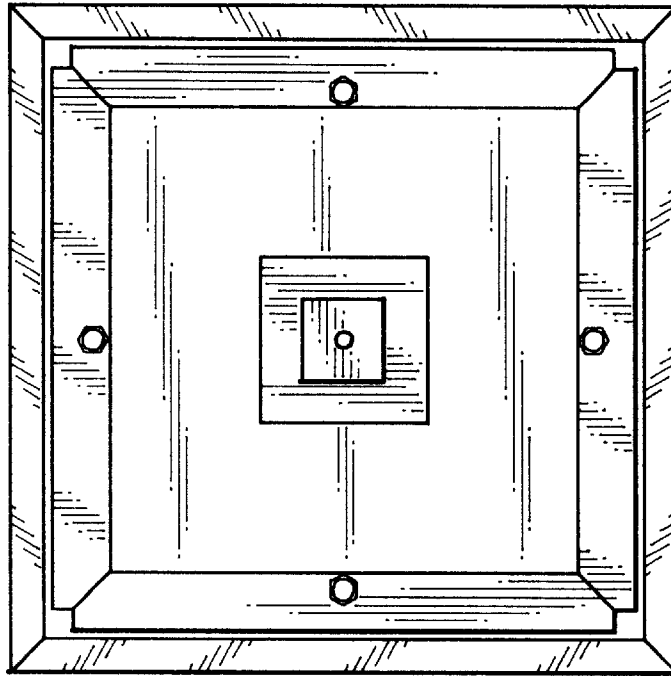


FIG. 2

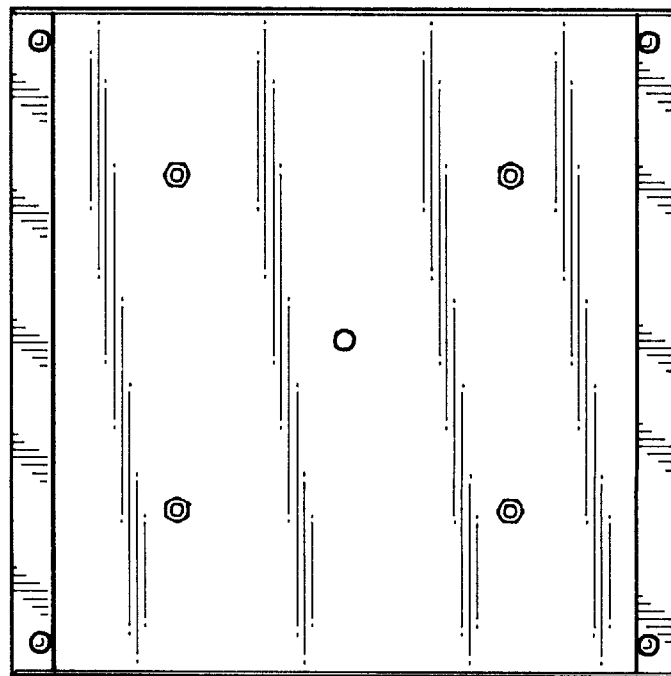


FIG. 3

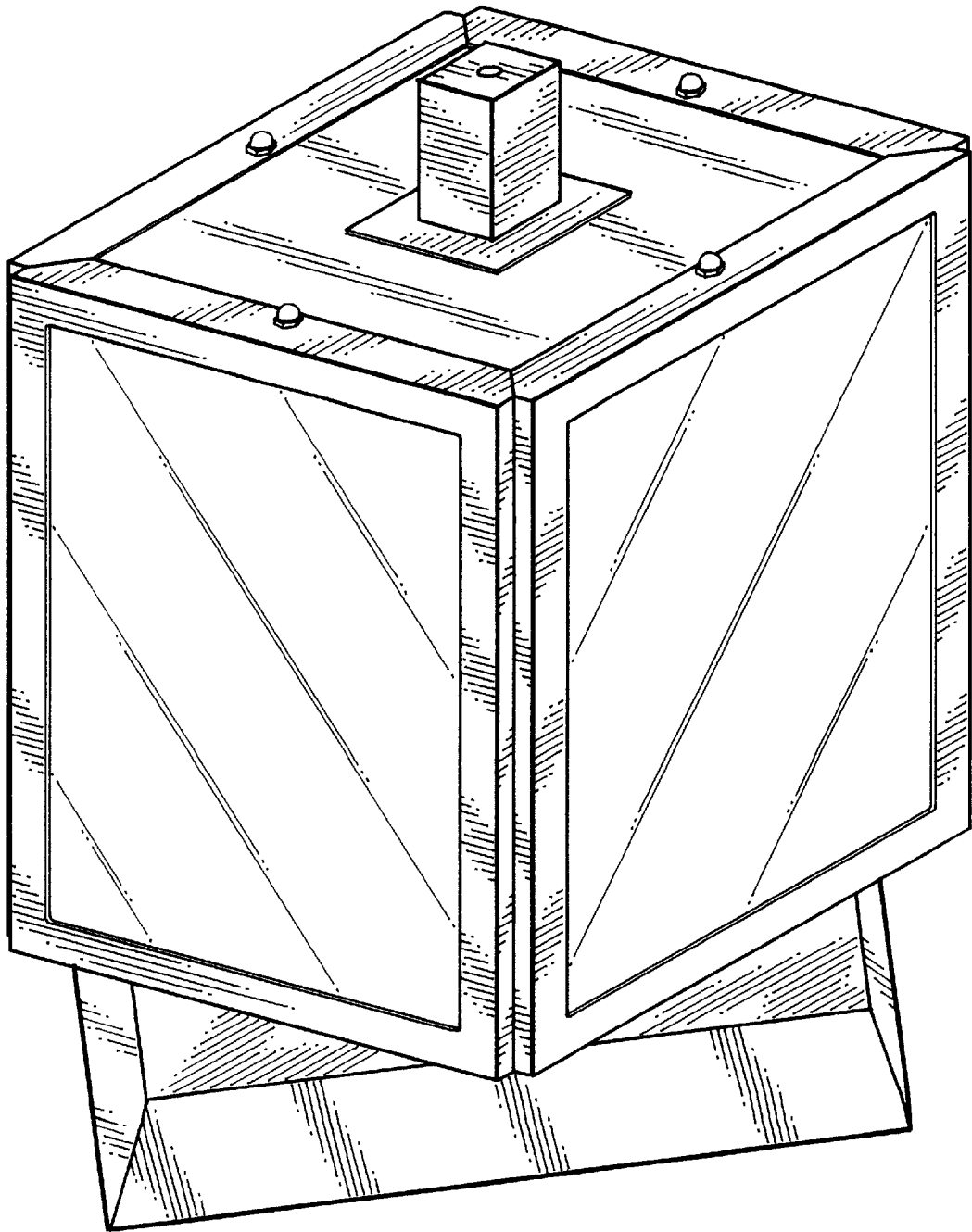


FIG. 4

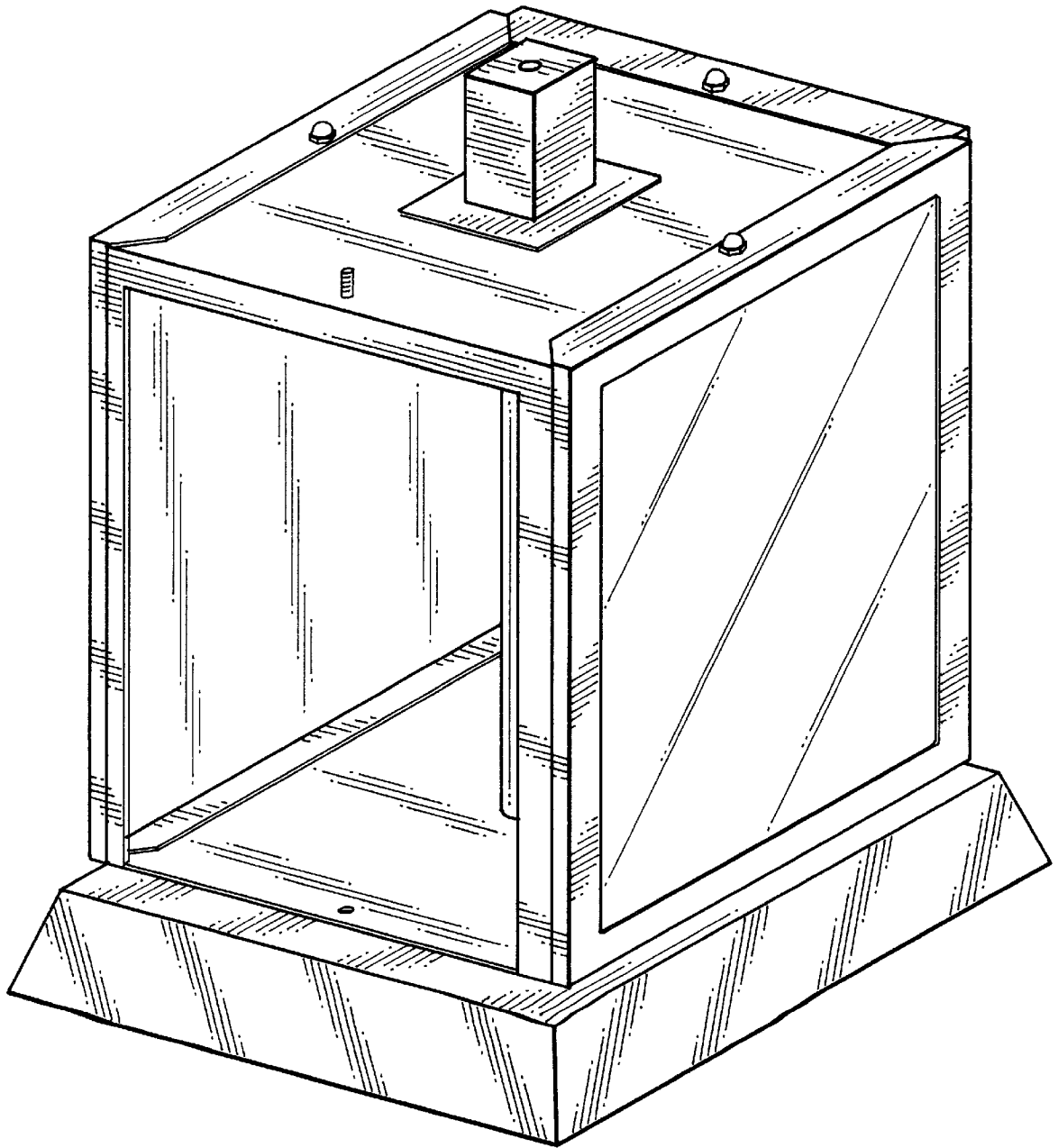


FIG. 5