



US00D733314S

(12) **United States Design Patent**  
**Lui**

(10) **Patent No.:** **US D733,314 S**

(45) **Date of Patent:** **\*\* Jun. 30, 2015**

(54) **SHIPPING CONTAINER**

(71) Applicant: **Theranos, Inc.**, Palo Alto, CA (US)

(72) Inventor: **Clarissa Lui**, Palo Alto, CA (US)

(73) Assignee: **Theranos, Inc.**, Palo Alto, CA (US)

(\*\*) Term: **14 Years**

(21) Appl. No.: **29/466,441**

(22) Filed: **Sep. 8, 2013**

(51) **LOC (10) Cl.** ..... **24-02**

(52) **U.S. Cl.**  
USPC ..... **D24/227; D3/203.1; D9/759**

(58) **Field of Classification Search**  
USPC ..... D24/216, 217, 224-232, 131;  
D3/203.1-203.6, 272; D9/420, 423,  
D9/430, 432, 424, 732, 629, 429; 220/793,  
220/839, 258.3; 206/83, 528, 438, 63.5,  
206/815, 508; 422/560-564; 435/305.1,  
435/288.3, 288.4

See application file for complete search history.

(56) **References Cited**

**U.S. PATENT DOCUMENTS**

D264,810	S	*	6/1982	Voltmann	.....	D3/203.3
4,401,229	A	*	8/1983	Bell et al.	.....	220/258.3
D271,239	S	*	11/1983	Lemieux et al.	.....	D24/230
D278,412	S	*	4/1985	Yeung	.....	D9/420
D280,015	S	*	8/1985	Sarajian	.....	D24/227
D282,577	S	*	2/1986	Neumeister	.....	D24/226
D295,074	S	*	4/1988	Jerge et al.	.....	D24/217
D299,955	S	*	2/1989	Kendrick, Sr.	.....	D24/229
D316,146	S	*	4/1991	Payne et al.	.....	D24/227
5,012,928	A	*	5/1991	Proffitt et al.	.....	206/508
D324,819	S	*	3/1992	Eisenberg	.....	D3/203.3
5,204,130	A	*	4/1993	McDevitt et al.	.....	206/815
D352,116	S	*	11/1994	Kienholz	.....	D24/227
D376,647	S	*	12/1996	Marsh et al.	.....	D24/131
5,906,292	A	*	5/1999	Rider, Jr.	.....	220/839
D411,308	S	*	6/1999	Pandey et al.	.....	D24/230
D423,111	S	*	4/2000	Davis et al.	.....	D24/226
D476,423	S	*	6/2003	Picot et al.	.....	D24/217

D484,797	S	*	1/2004	Kipperman et al.	.....	D9/424
D487,315	S	*	3/2004	Picot et al.	.....	D24/217
6,875,405	B1	*	4/2005	Mathus et al.	.....	422/562
D525,714	S	*	7/2006	Ueda	.....	D24/227
D526,064	S	*	8/2006	Wood	.....	D24/229
D529,622	S	*	10/2006	Hadjis et al.	.....	D24/229
D543,120	S	*	5/2007	Coe et al.	.....	D9/732
D551,515	S	*	9/2007	Ablo et al.	.....	D7/629
D574,505	S	*	8/2008	Muller-Cohn et al.	.....	D24/216
D593,207	S	*	5/2009	Ayliffe	.....	D24/229
D618,516	S	*	6/2010	DiPietro et al.	.....	D7/629
D664,845	S	*	8/2012	Everson	.....	D9/432
8,460,622	B2	*	6/2013	Motadel	.....	422/564
D698,938	S	*	2/2014	Fonseca	.....	D24/224
D699,370	S	*	2/2014	Motadel et al.	.....	D24/229
D707,847	S	*	6/2014	Motadel et al.	.....	D24/227
D711,549	S	*	8/2014	Trump	.....	D24/224
D711,550	S	*	8/2014	Trump	.....	D24/224
2007/0012710	A1	*	1/2007	Vovan	.....	220/793

**OTHER PUBLICATIONS**

Office Action dated Oct. 10, 2014 for U.S. Appl. No. 29/466,739.  
Office Action dated Oct. 2, 2014 for U.S. Appl. No. 29/466,443.  
Office Action dated Oct. 2, 2014 for U.S. Appl. No. 29/466,710.  
Office Action dated Oct. 3, 2014 for U.S. Appl. No. 29/466,440.  
Office Action dated Oct. 8, 2014 for U.S. Appl. No. 29/466,442.

\* cited by examiner

*Primary Examiner* — T. Chase Nelson

*Assistant Examiner* — Mark Cavanna

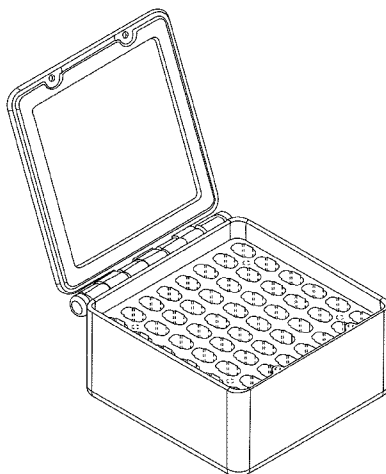
(57) **CLAIM**

The ornamental design for a shipping container, as shown and described.

**DESCRIPTION**

FIG. 1 is a perspective view of a shipping container with an open lid, showing our new design;  
FIG. 2 is a side view thereof, with lid open; and,  
FIG. 3 is a top view thereof with lid open.  
The broken lines are included for the purpose of illustrating unclaimed portions of the shipping container and form no part of the claimed design.

**1 Claim, 2 Drawing Sheets**



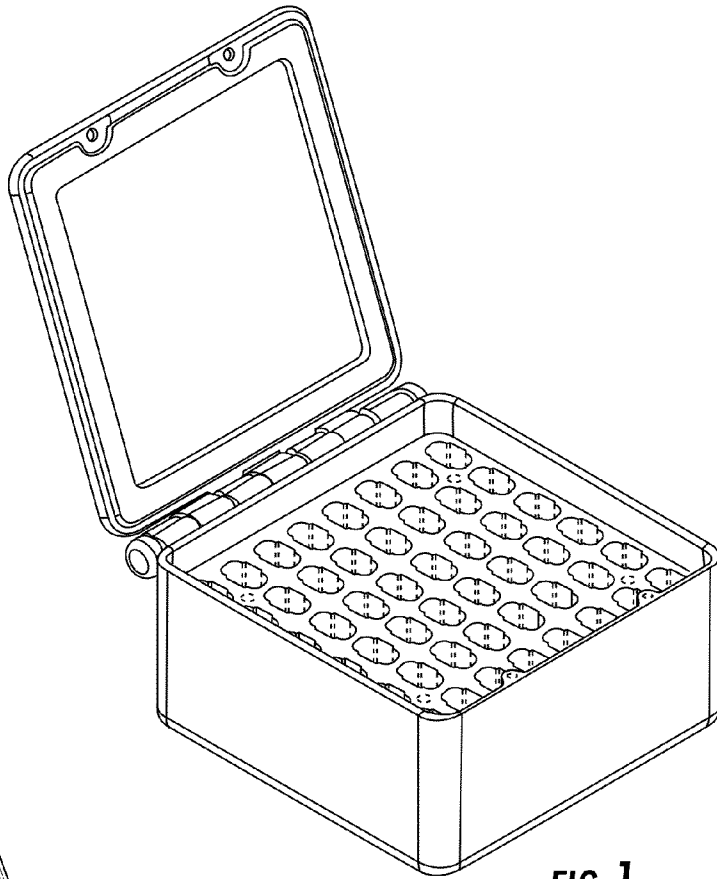


FIG. 1

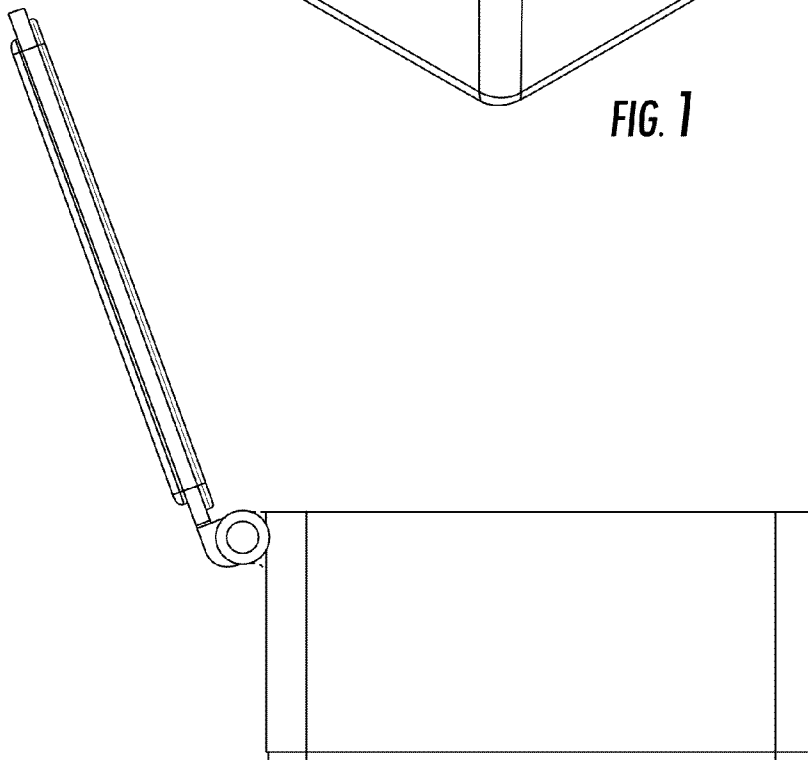


FIG. 2

FIG. 3

