



US00D967490S

(12) **United States Design Patent**
Ma

(10) **Patent No.:** **US D967,490 S**

(45) **Date of Patent:** **** Oct. 18, 2022**

- (54) **LED SHOP LIGHT**
- (71) Applicant: **SHENZHEN ADUB TECHNOLOGY CO., LTD.**, Shenzhen (CN)
- (72) Inventor: **Yan Ma**, Shenzhen (CN)
- (73) Assignee: **SHENZHEN ADUB TECHNOLOGY CO., LTD.**, Shenzhen (CN)

D808,061	S	*	1/2018	Wouters	D26/78
D817,534	S	*	5/2018	Noh	D26/76
D824,548	S		7/2018	Bobel		
D824,570	S		7/2018	Bobel		
D840,087	S	*	2/2019	Zeng	D26/76
D844,880	S	*	4/2019	Zeng	D26/76
D877,958	S	*	3/2020	Liu	D26/76
D885,634	S	*	5/2020	Bhavanbhai Patel	D26/76
D922,635	S	*	6/2021	Gong	D26/35
D927,037	S	*	8/2021	Chen	D26/74
D957,025	S	*	7/2022	Qiu	D26/72

(**) Term: **15 Years**

* cited by examiner

(21) Appl. No.: **29/836,442**

Primary Examiner — Natasha Vujcic
(74) *Attorney, Agent, or Firm* — Daniel M. Cohn;
Howard M. Cohn

(22) Filed: **Apr. 27, 2022**

(51) **LOC (13) Cl.** **26-04**

(52) **U.S. Cl.**
USPC **D26/76**

(58) **Field of Classification Search**
USPC D26/72, 74, 76, 78–83, 85, 86, 87, 88,
D26/90, 93, 111, 113, 118–122, 138, 139,
D26/140, 141, 142, 152
CPC F21S 2/00; F21S 4/00; F21S 4/003; F21S
4/005; F21S 4/006; F21S 4/007; F21S
4/008; F21S 6/00; F21S 8/00; F21S
8/024; F21S 8/026; F21S 8/031; F21S
8/033; F21S 8/035–037; F21S 8/04; F21S
8/043; F21S 8/063

See application file for complete search history.

(57) **CLAIM**

The ornamental design for an LED shop light, as shown and described.

DESCRIPTION

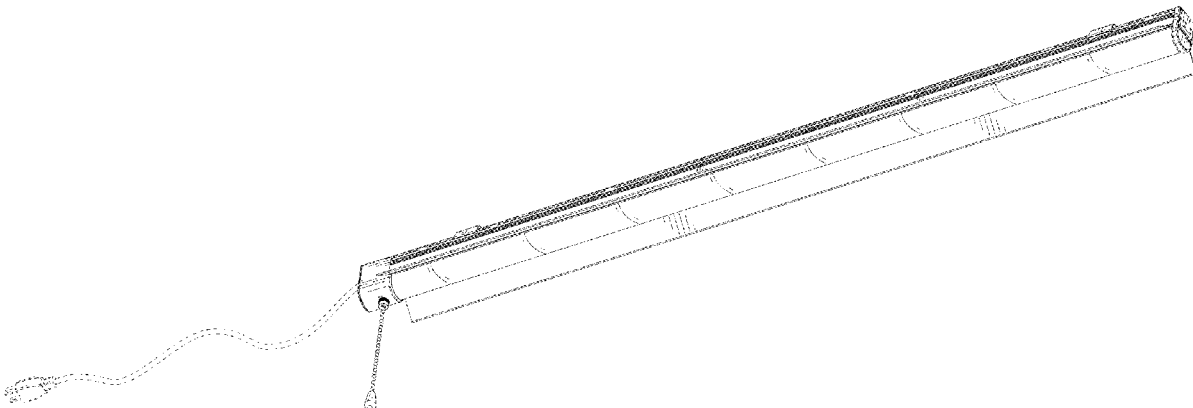
FIG. 1 is a perspective view of an LED shop light showing my new design;
FIG. 2 is another perspective view thereof;
FIG. 3 is a front elevational view thereof;
FIG. 4 is a rear elevational view thereof;
FIG. 5 is a left side elevational view thereof;
FIG. 6 is a right side elevational view thereof;
FIG. 7 is a top plan view thereof;
FIG. 8 is a bottom plan view thereof;
FIG. 9 is an enlarged view of portion 9 shown in FIG. 1;
FIG. 10 is an enlarged view of portion 10 shown in FIG. 1; and,
FIG. 11 is an enlarged view of portion 11 shown in FIG. 1.
The dash-dash broken lines in the drawings depict portions of the LED shop light that form no part of the claimed design. The dot-dash broken lines represent boundaries of the enlarged portions and form no part of the claimed design.

(56) **References Cited**

U.S. PATENT DOCUMENTS

D582,576	S	*	12/2008	Liao	D26/2
D603,079	S	*	10/2009	Toot	D26/118
D606,673	S	*	12/2009	Kao	D26/3
D660,472	S	*	5/2012	Aguiar	D26/3
D735,390	S	*	7/2015	Yanping	D26/74
D754,902	S	*	4/2016	Parker	D26/76
D785,820	S	*	5/2017	Gao	D26/2
D793,603	S	*	8/2017	Parker	D26/76

1 Claim, 11 Drawing Sheets



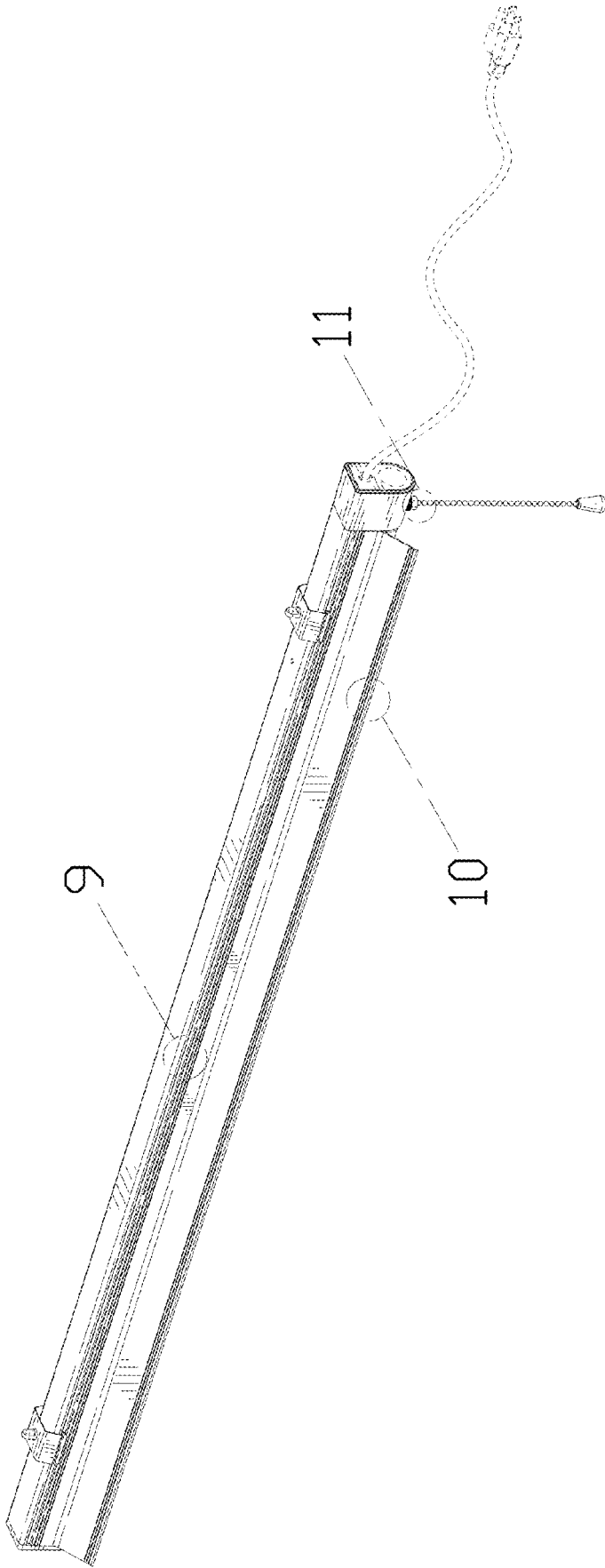


FIG. 1

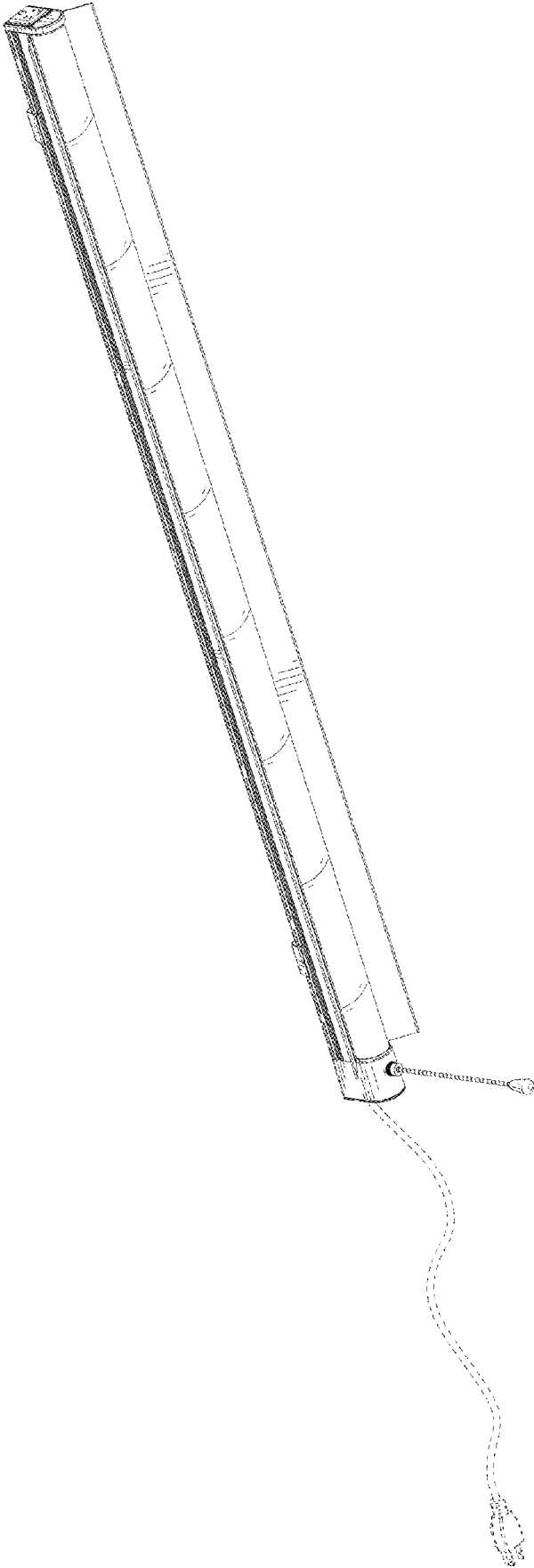


FIG. 2

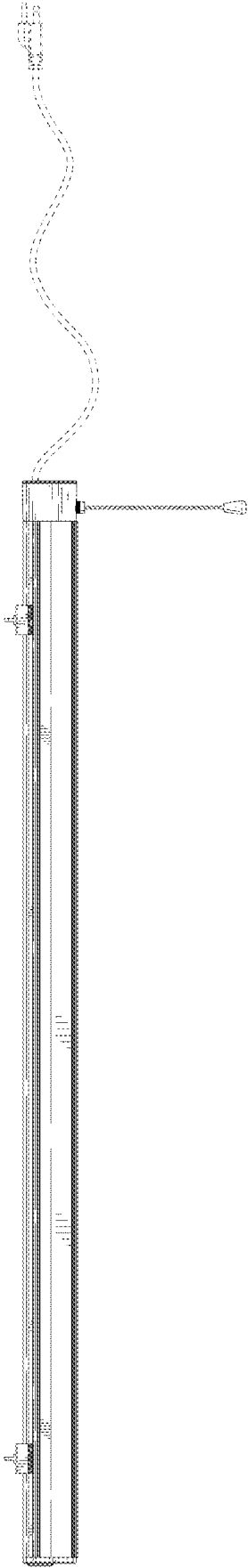


FIG. 3

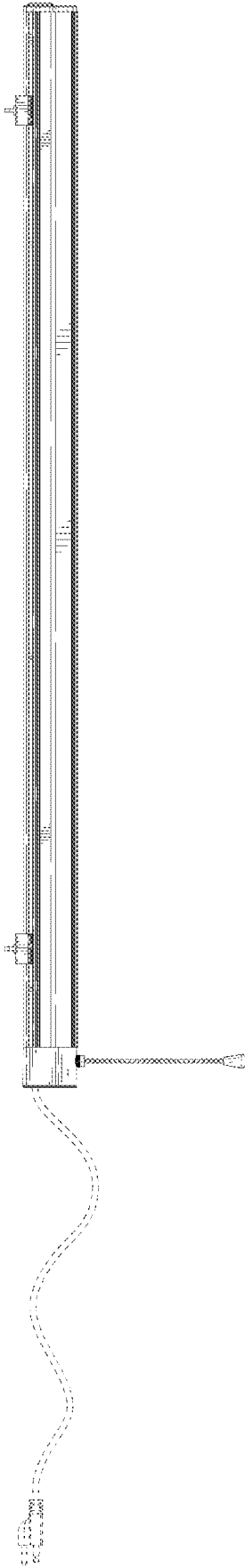


FIG. 4



FIG. 5

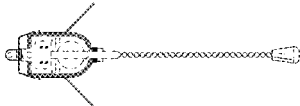


FIG. 6

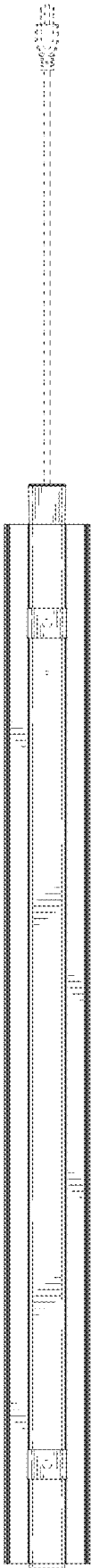


FIG. 7

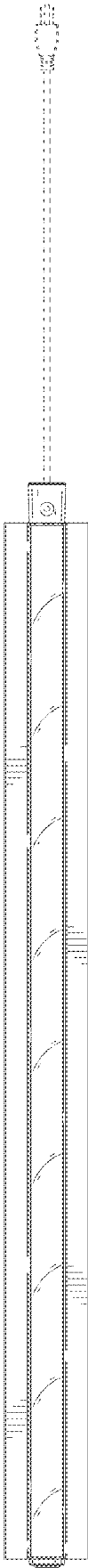


FIG. 8

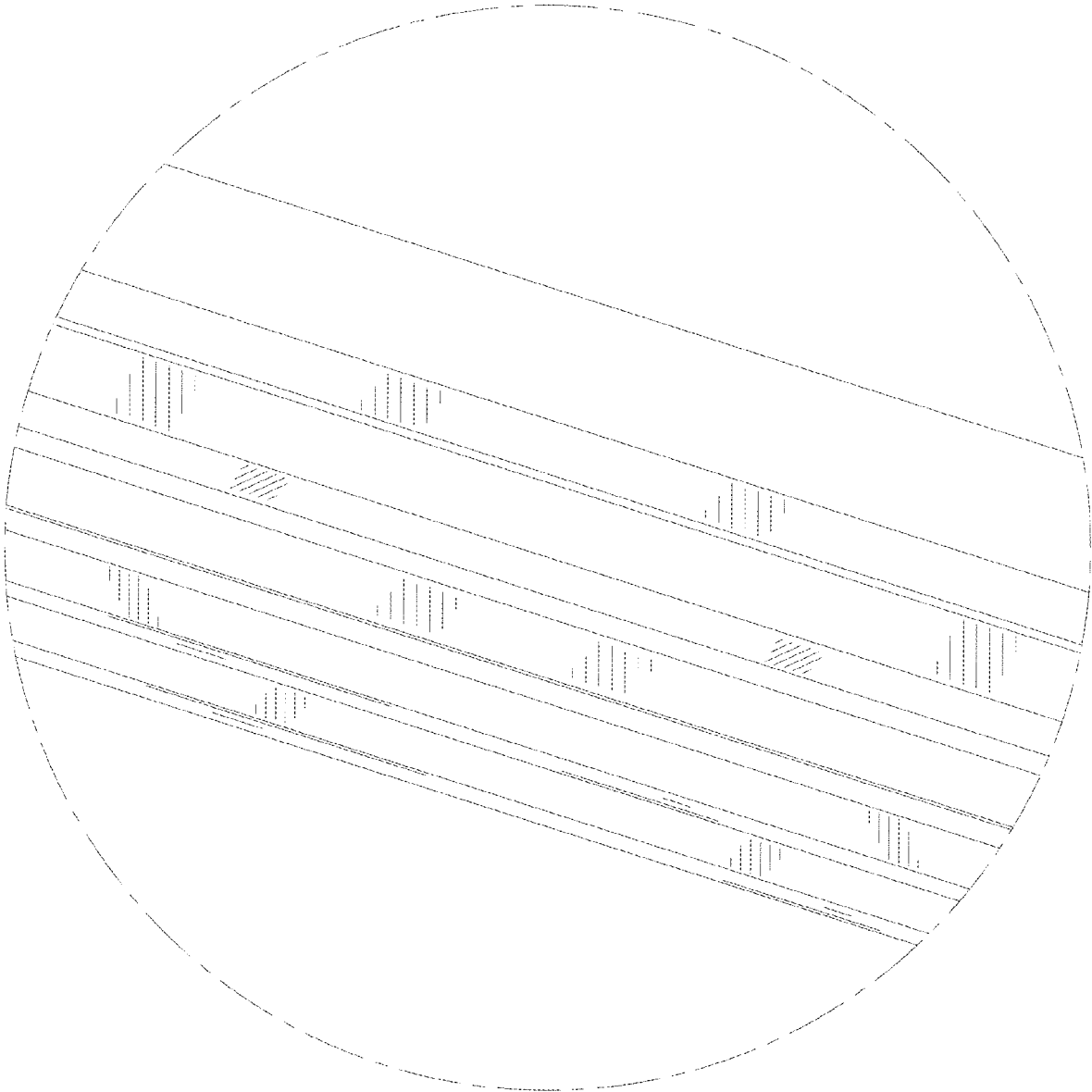


FIG. 9

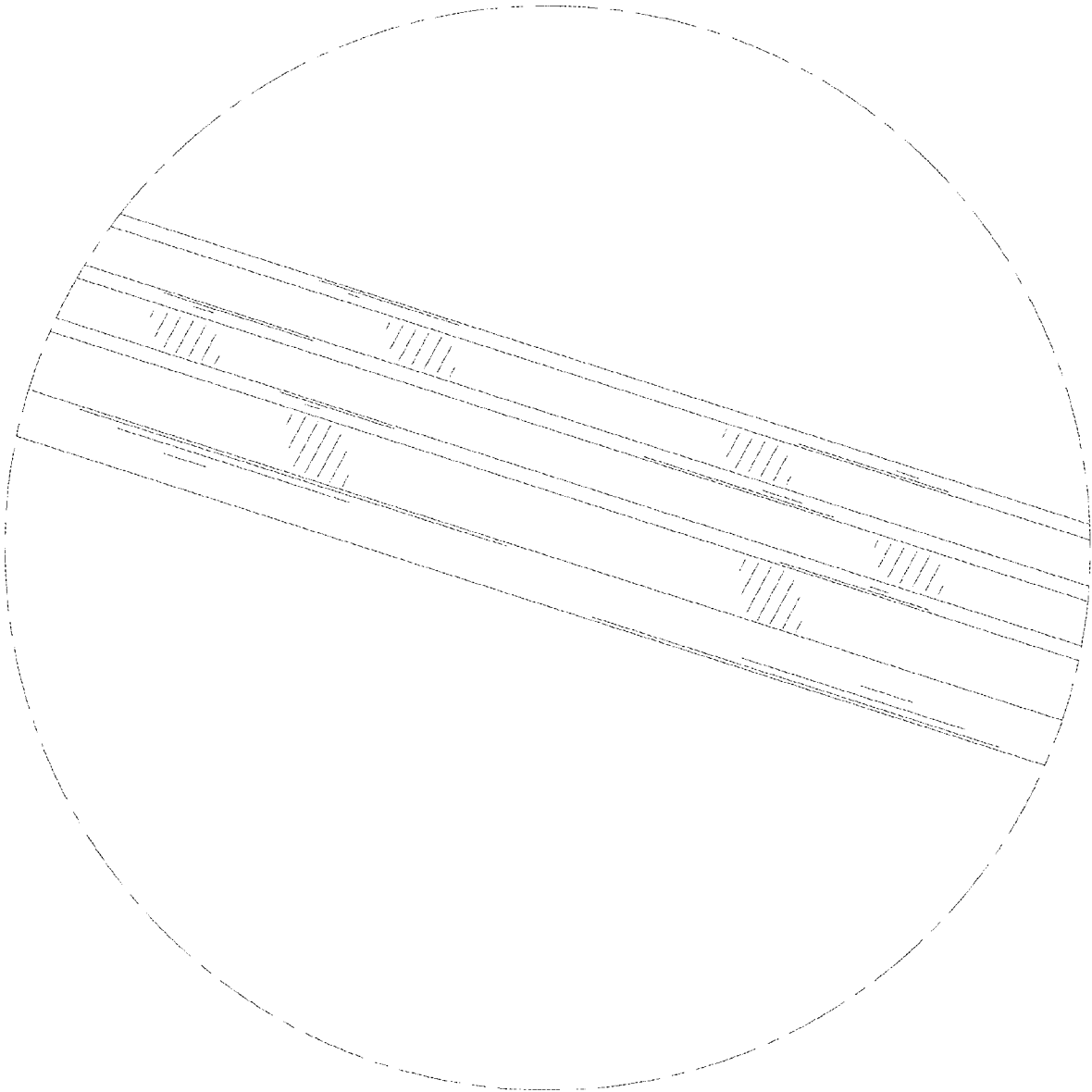


FIG. 10

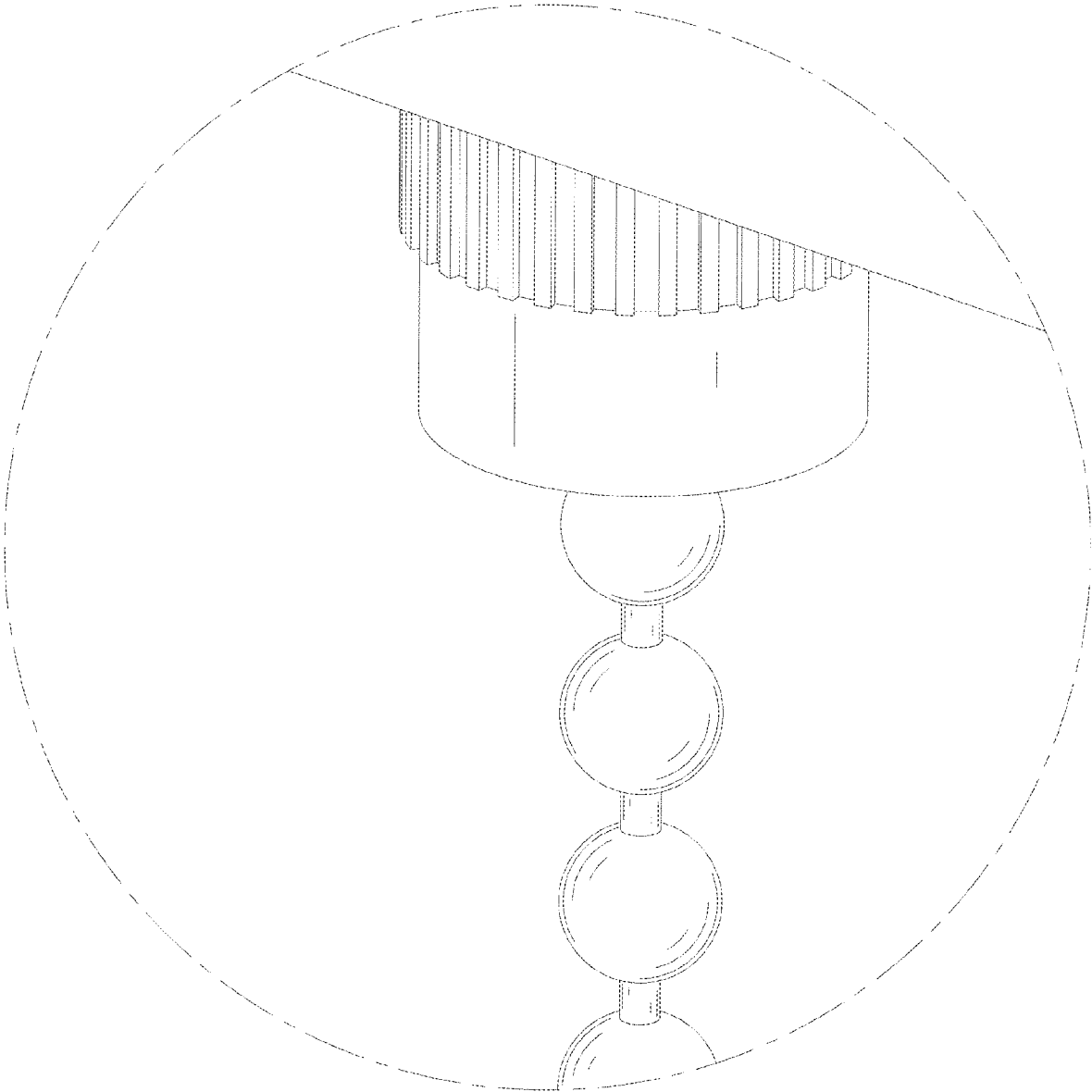


FIG. 11