

[54] FACE MASK

[75] Inventor: Dean R. Wallace, Fort Myers, Fla.

[73] Assignee: Intertech Resources Inc.,
Lincolnshire, Ill.

[**] Term: 14 Years

[21] Appl. No.: 435,290

[22] Filed: Nov. 9, 1989

[52] U.S. Cl. D29/8; D29/7

[58] Field of Search D29/6, 7, 8;
128/206.24, 206.28, 206.26, 206.17, 207.11,
202.23, 205.17

[56] References Cited

U.S. PATENT DOCUMENTS

D. 189,009	10/1960	Muller	D29/8
D. 293,613	1/1988	Wingler	D29/7
D. 305,166	12/1989	Quinn et al.	D29/8
3,315,674	4/1967	Bloom et al.	128/207.11

3,982,532	9/1976	Halltin et al.	128/206.24
4,062,357	12/1977	Laerdal	128/207.11
4,337,767	7/1982	Yahata	128/206.26
4,799,477	1/1989	Lewis	128/205.25

Primary Examiner—Kay H. Chin
Attorney, Agent, or Firm—Marshall, O’Toole, Gerstein,
Murray & Bicknell

[57] CLAIM

The ornamental design for a face mask, as shown and described.

DESCRIPTION

FIG. 1 is a front perspective view of a face mask showing my new design;
FIG. 2 is a front elevational view thereof;
FIG. 3 is a side elevational view thereof, the opposite side view being a mirror image of that shown;
FIG. 4 is a rear elevational view thereof;
FIG. 5 is a bottom plan view thereof;
FIG. 6 is a top plan view thereof.

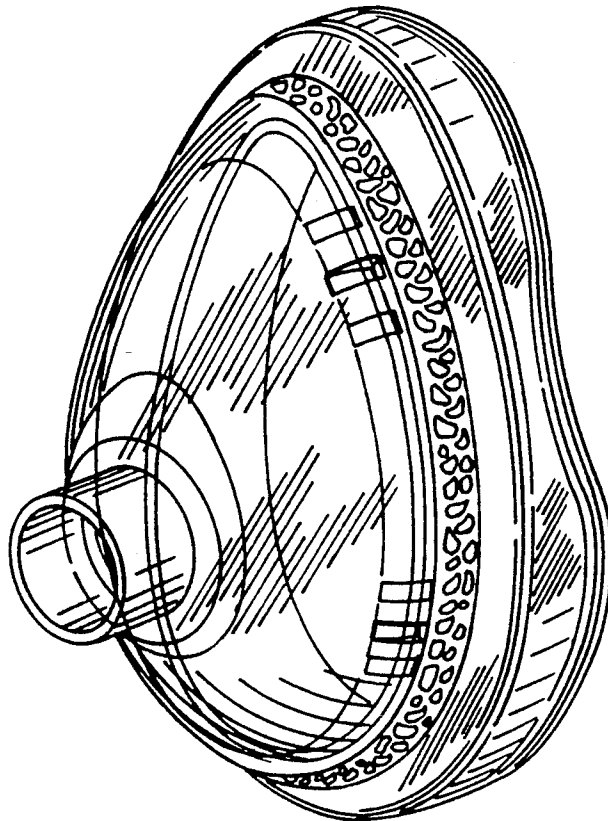


FIG-3-

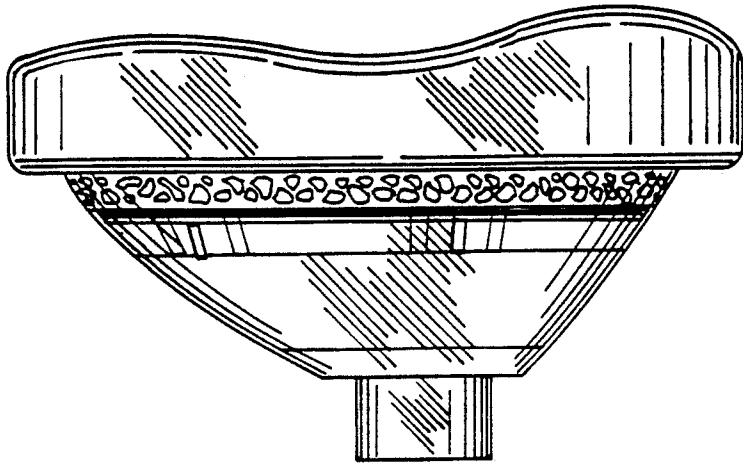


FIG-2-

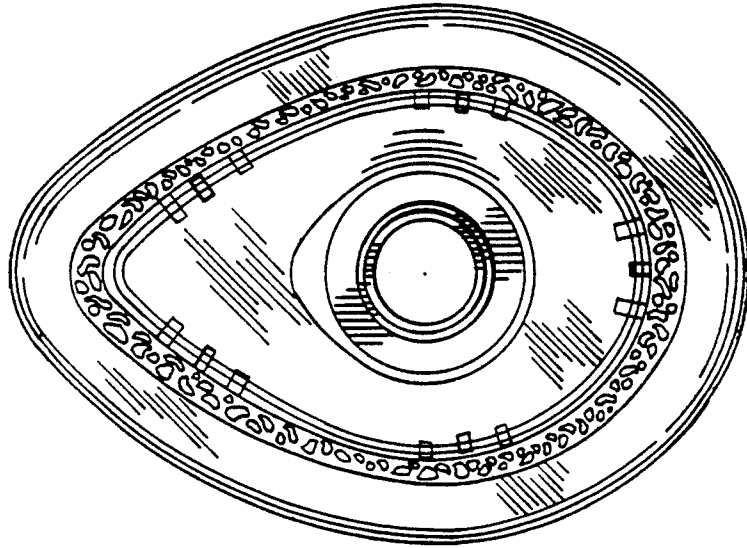


FIG-1-

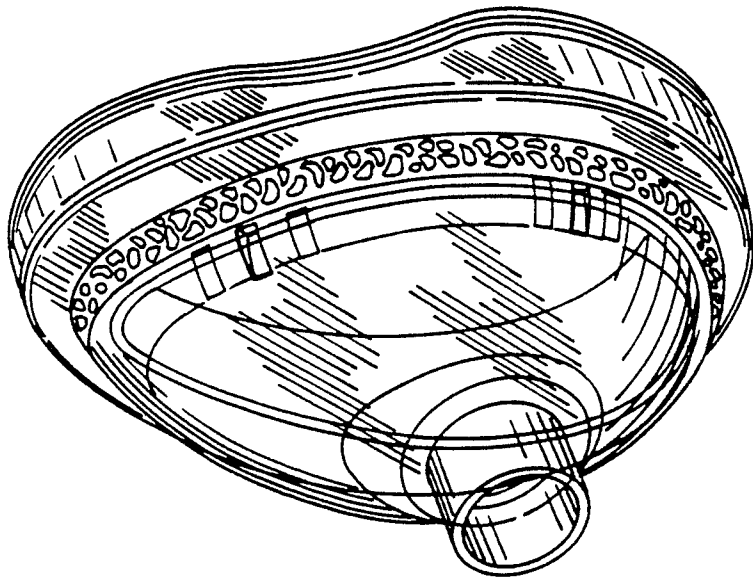


FIG-5-

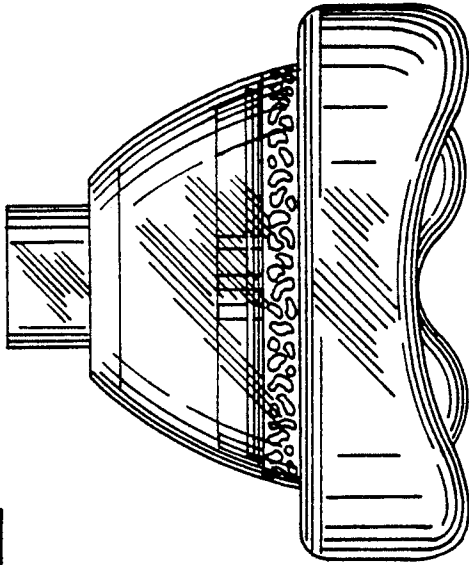


FIG-6-

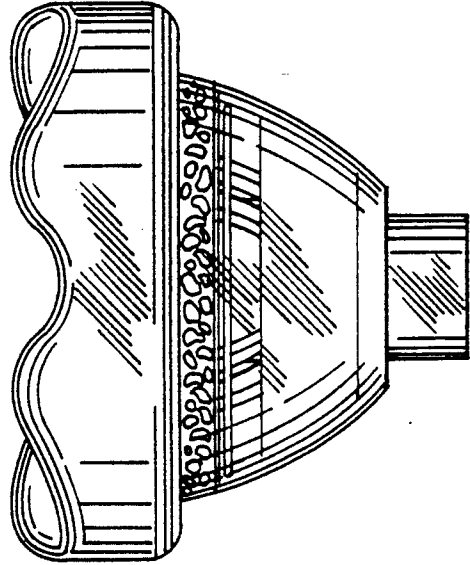


FIG-4-

