



US00D723755S

(12) **United States Design Patent**
Barrett et al.

(10) **Patent No.:** **US D723,755 S**

(45) **Date of Patent:** **** Mar. 3, 2015**

(54) **FLOOR CLEANER**

(71) Applicant: **Techtronic Floor Care Technology Limited**, Tortola (VG)

(72) Inventors: **Edward Thomas George Barrett**, Wallingford (GB); **Jennifer Kathryn Marsden**, Birmingham (GB)

(73) Assignee: **Techtronic Floor Care Technology Limited**, Tortola (VG)

(**) Term: **14 Years**

(21) Appl. No.: **29/480,318**

(22) Filed: **Jan. 24, 2014**

(30) **Foreign Application Priority Data**

Aug. 9, 2013 (EM) 002289520

(51) **LOC (10) Cl.** **15-05**

(52) **U.S. Cl.**
USPC **D32/22**

(58) **Field of Classification Search**
CPC A47L 7/0004; A47L 11/4036; A47L 11/4041; A47L 7/0023; A47L 7/009; A47L 11/30; A47L 11/34
USPC D32/21-24, 32-34; 15/353, 320-321, 15/323, 340.2, 412, 339, 327.1-327.7
See application file for complete search history.

(56) **References Cited**

U.S. PATENT DOCUMENTS

D346,679 S * 5/1994 Bradd et al. D32/22
D381,779 S * 7/1997 Pritchett et al. D32/22

D405,567 S * 2/1999 Kent et al. D32/22
D406,928 S * 3/1999 Rowley et al. D32/22
D486,614 S * 2/2004 Beauchamp et al. D32/22
D536,848 S * 2/2007 Shin D32/22
7,373,690 B2 * 5/2008 Sepke et al. 15/410

(Continued)

OTHER PUBLICATIONS

Co-pending U.S. Appl. No. 29/459,345, filed Jun. 28, 2013.

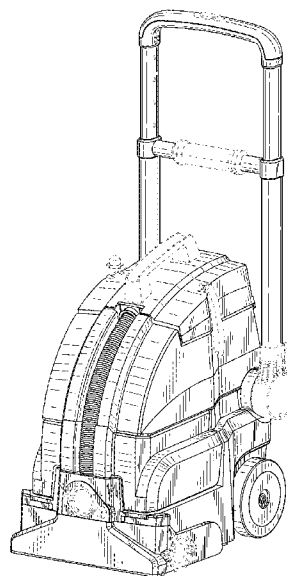
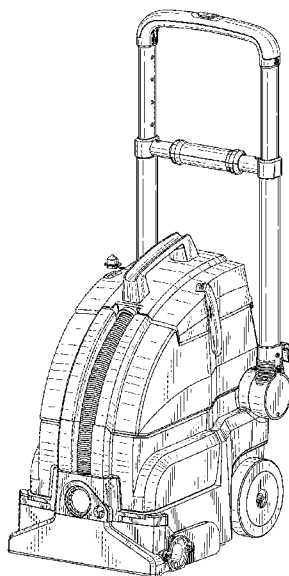
Primary Examiner — Ruth McInroy
(74) *Attorney, Agent, or Firm* — Michael Best & Friedrich LLP

(57) **CLAIM**
We claim the ornamental design for a floor cleaner, as shown and described.

DESCRIPTION

FIG. 1 is a perspective view of a floor cleaner embodying the invention;
FIG. 2 is another perspective view of a floor cleaner of FIG. 1;
FIG. 3 is a front view of the floor cleaner of FIG. 1;
FIG. 4 is a rear view of the floor cleaner of FIG. 1;
FIG. 5 is a right side view of the floor cleaner of FIG. 1;
FIG. 6 is a left side view of the floor cleaner of FIG. 1;
FIG. 7 is a top view of the floor cleaner of FIG. 1;
FIG. 8 is a bottom view of the floor cleaner of FIG. 1;
FIG. 9 is a perspective view of another arrangement of a floor cleaner embodying the invention;
FIG. 10 is a front view of the floor cleaner of FIG. 5;
FIG. 11 is a left side view of the floor cleaner of FIG. 5; and
FIG. 12 is a top view of the floor cleaner of FIG. 5.
The elements shown in broken lines are included for the purpose of illustrating environment and form no part of the claimed design.

1 Claim, 12 Drawing Sheets



(56)

References Cited

U.S. PATENT DOCUMENTS

| | | | | | | | | | | | |
|--------------|------|---------|-----------------|-------|--------|--------------|------|---------|-------------------|-------|--------|
| D633,667 | S * | 3/2011 | Santiago | | D32/22 | 2007/0256270 | A1 * | 11/2007 | Gordon et al. | | 15/320 |
| 2002/0174507 | A1 * | 11/2002 | Kasper et al. | | 15/320 | 2012/0222234 | A1 * | 9/2012 | DeJonge | | 15/320 |
| 2006/0185113 | A1 * | 8/2006 | Kloepfel et al. | | 15/320 | 2012/0222235 | A1 * | 9/2012 | Lenkiewicz et al. | | 15/322 |
| | | | | | | 2012/0304416 | A1 * | 12/2012 | Nguyen et al. | | 15/383 |
| | | | | | | 2012/0317746 | A1 * | 12/2012 | Hill et al. | | 15/320 |

* cited by examiner

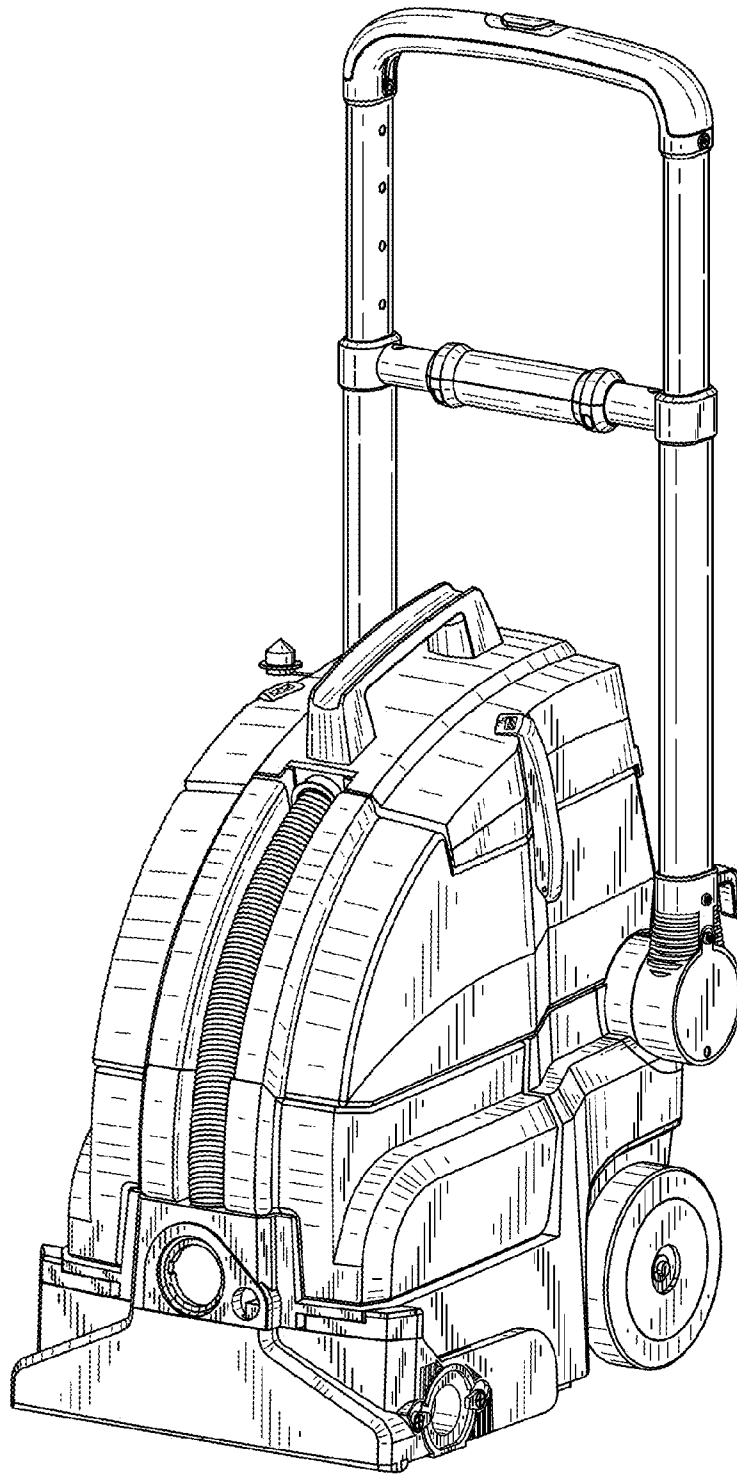


FIG. 1

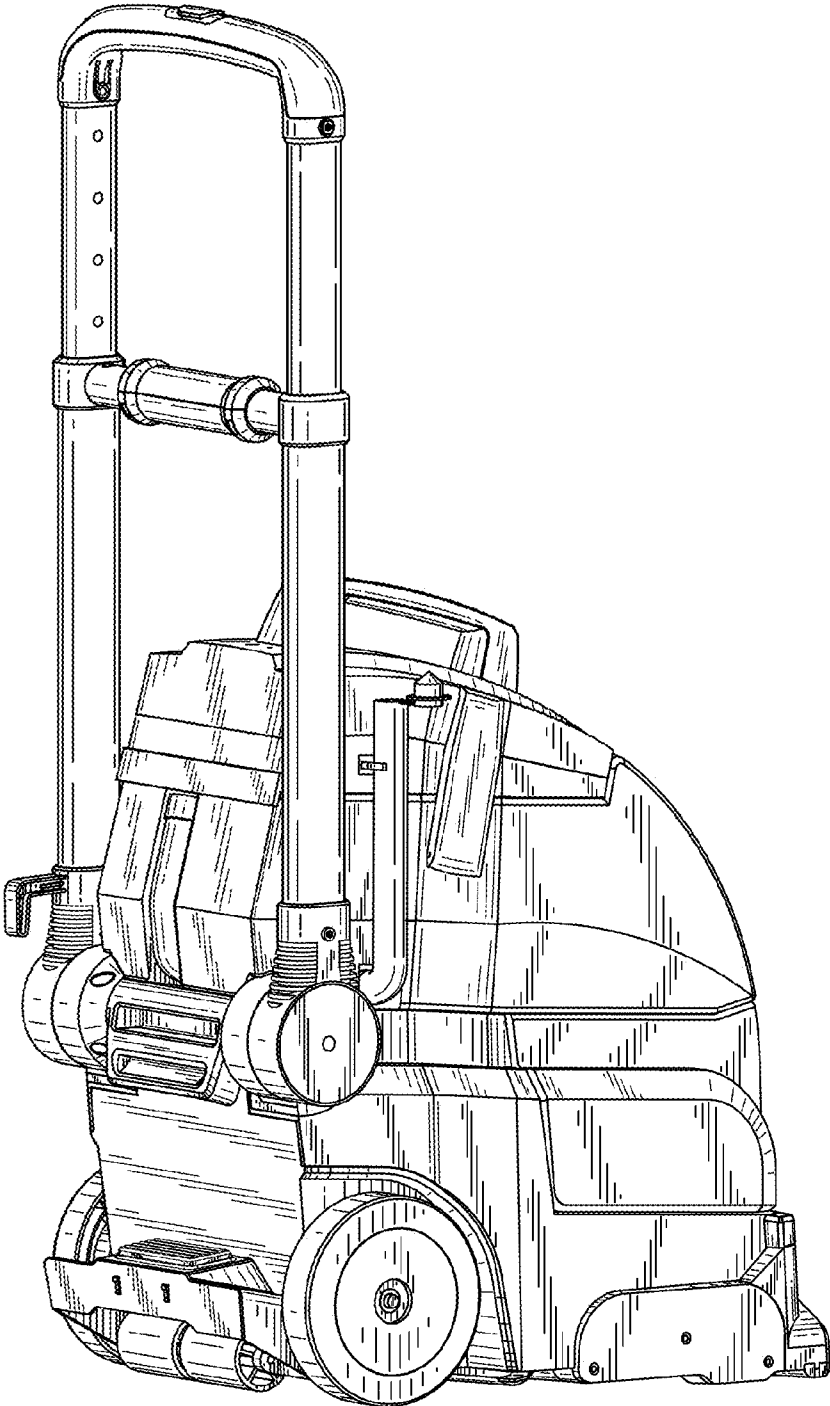


FIG. 2

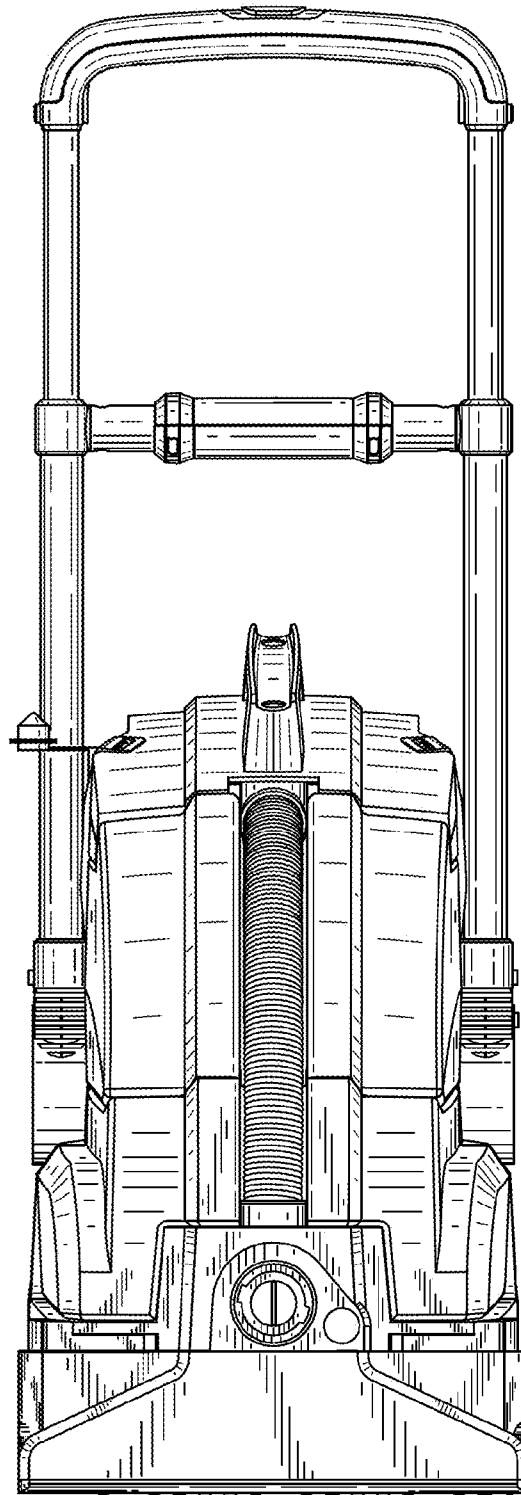


FIG. 3

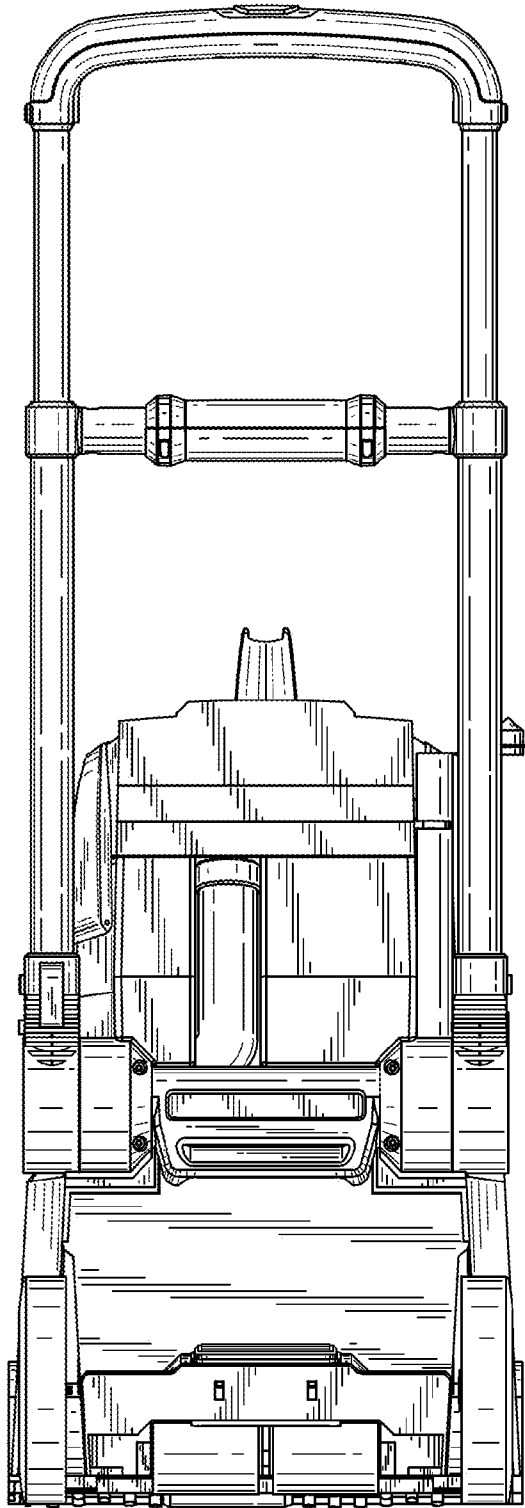


FIG. 4

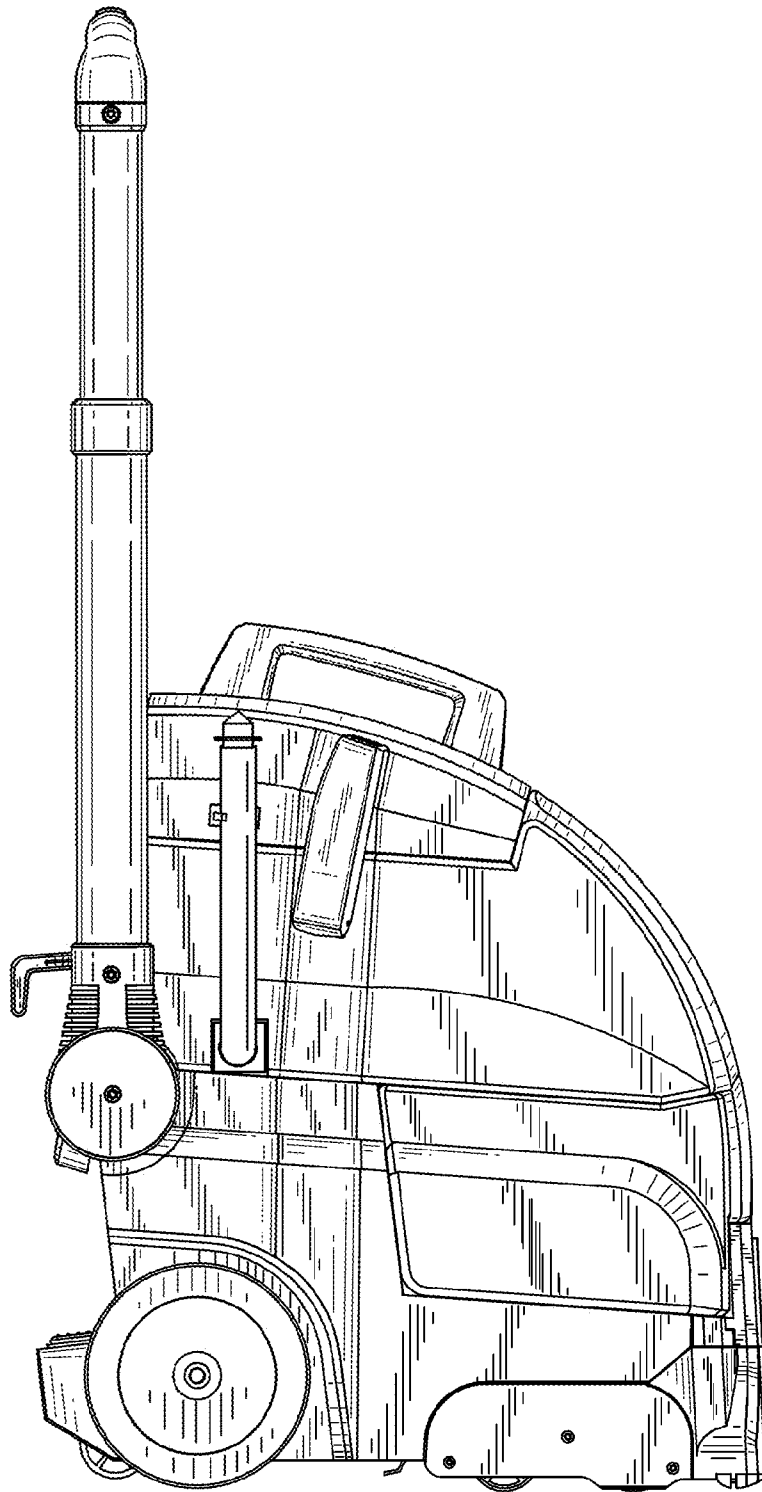


FIG. 5

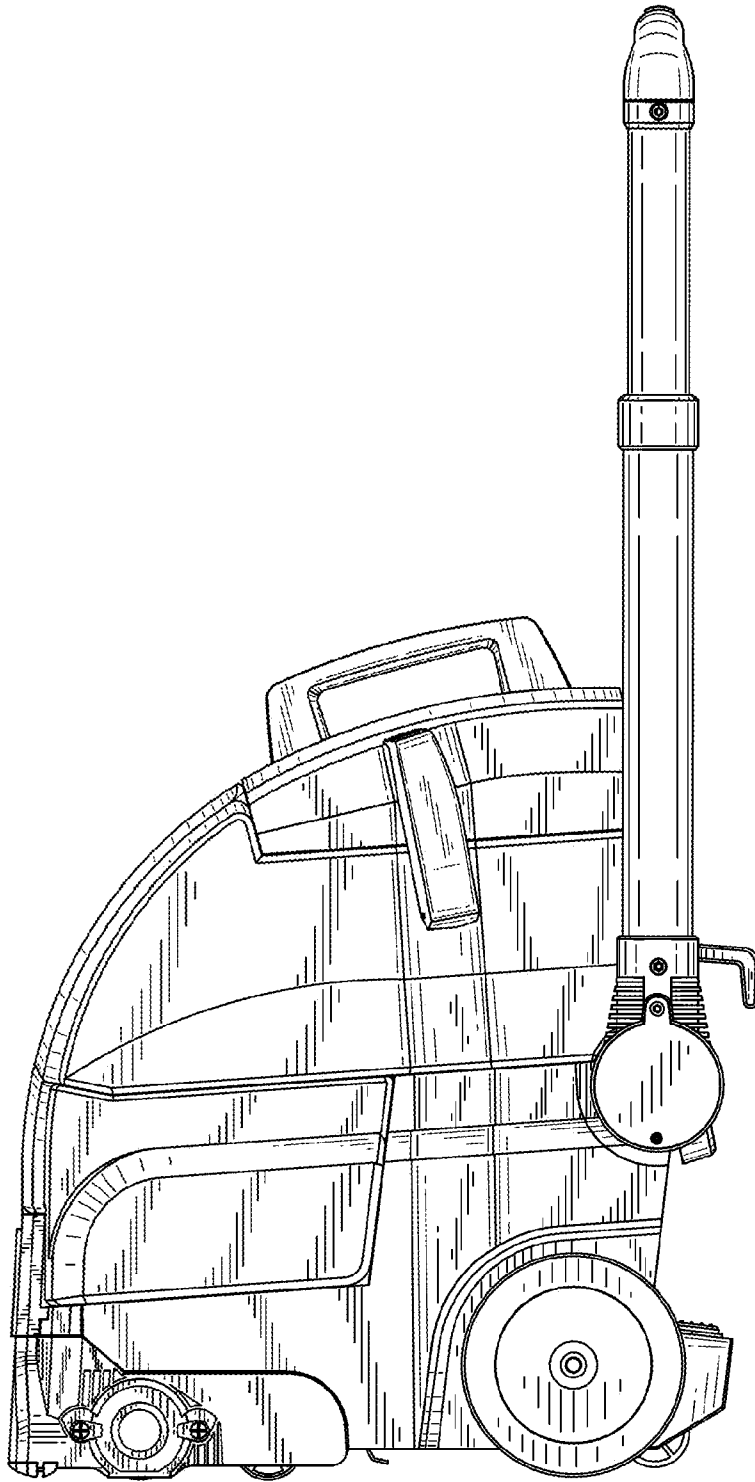


FIG. 6

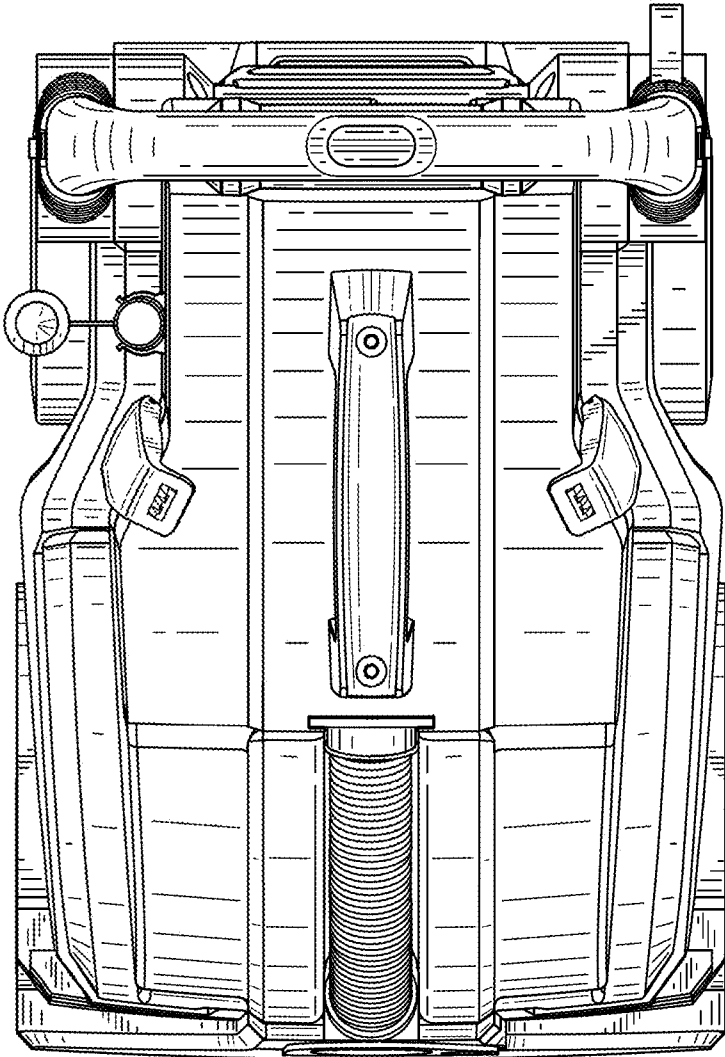


FIG. 7

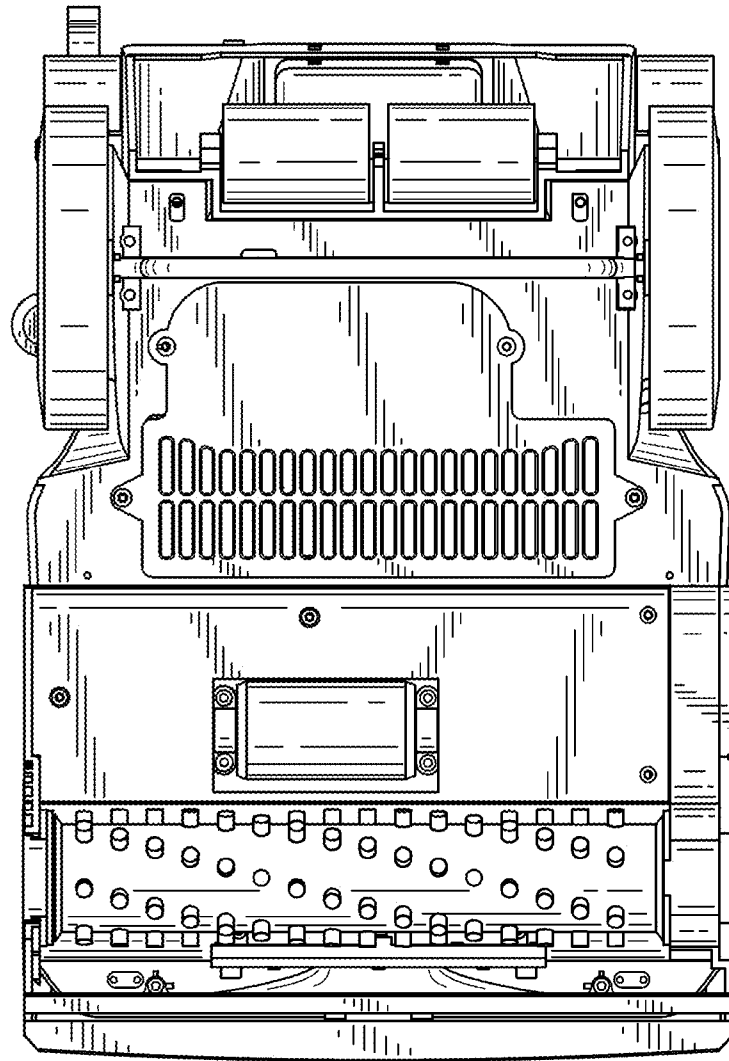


FIG. 8

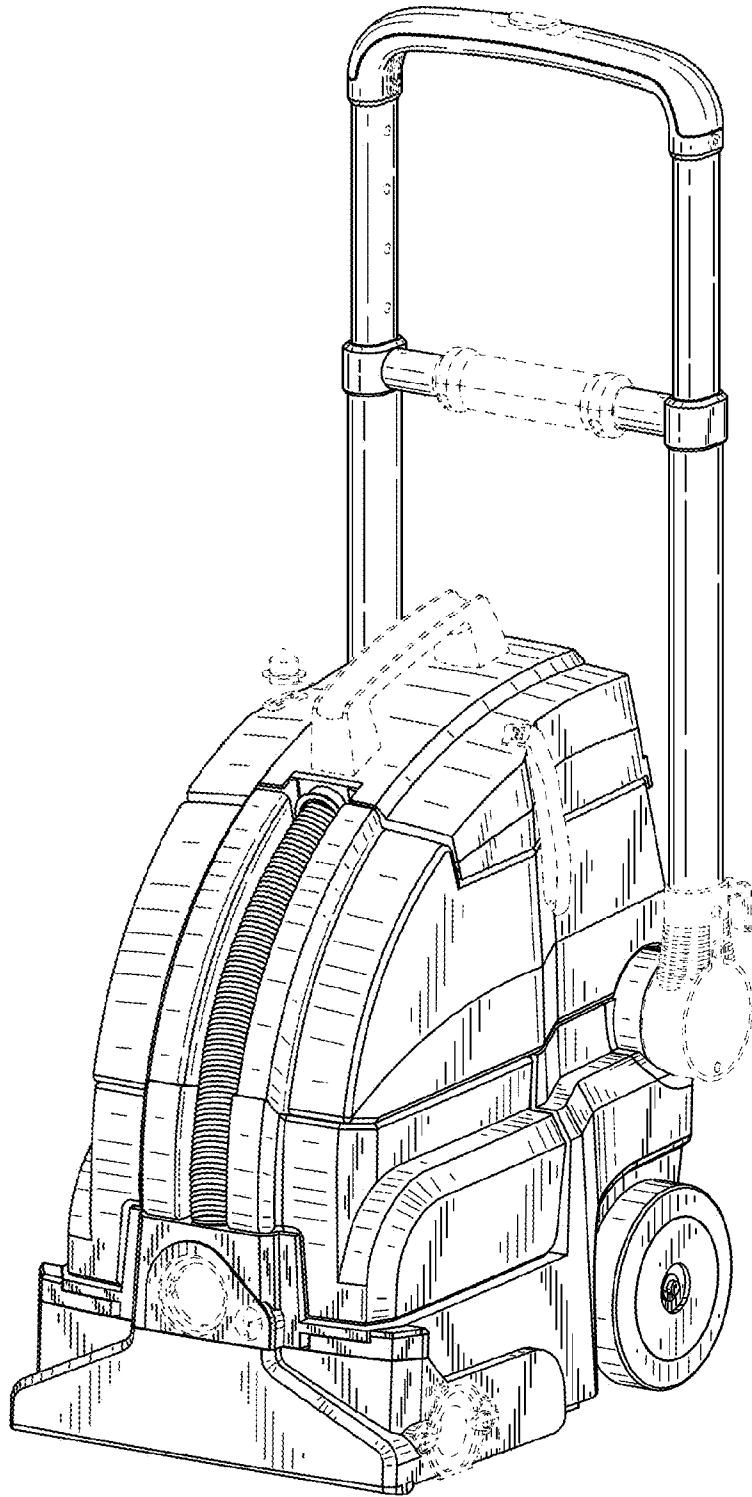


FIG. 9

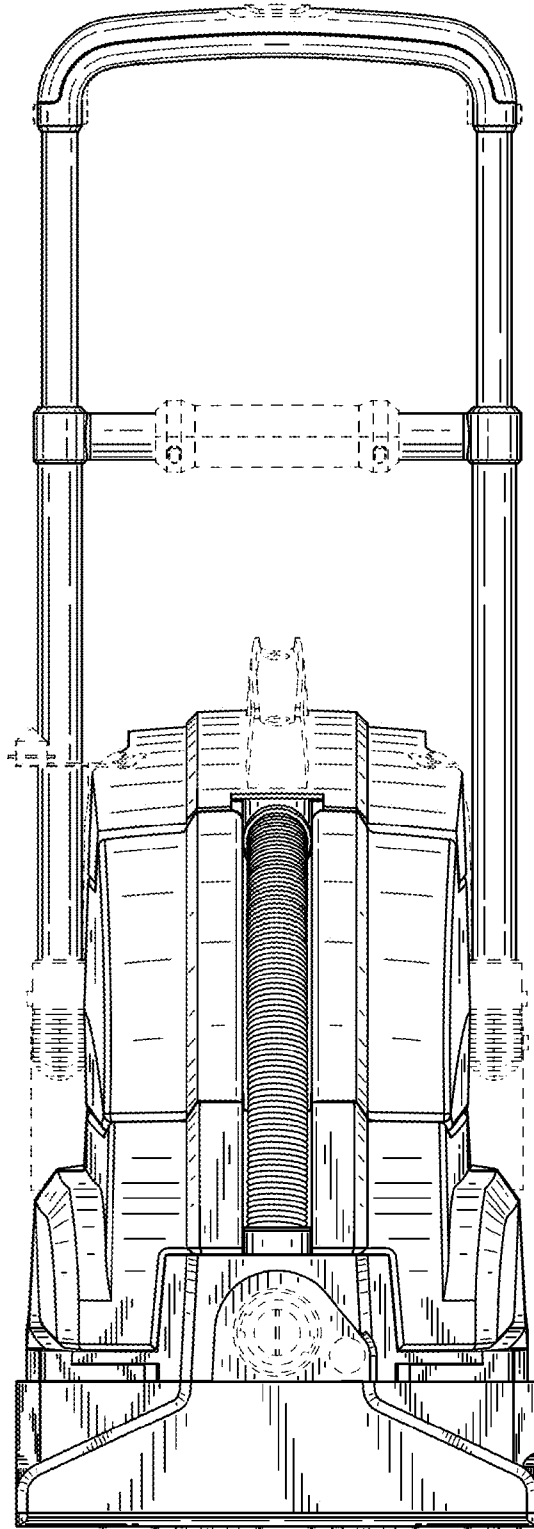


FIG. 10

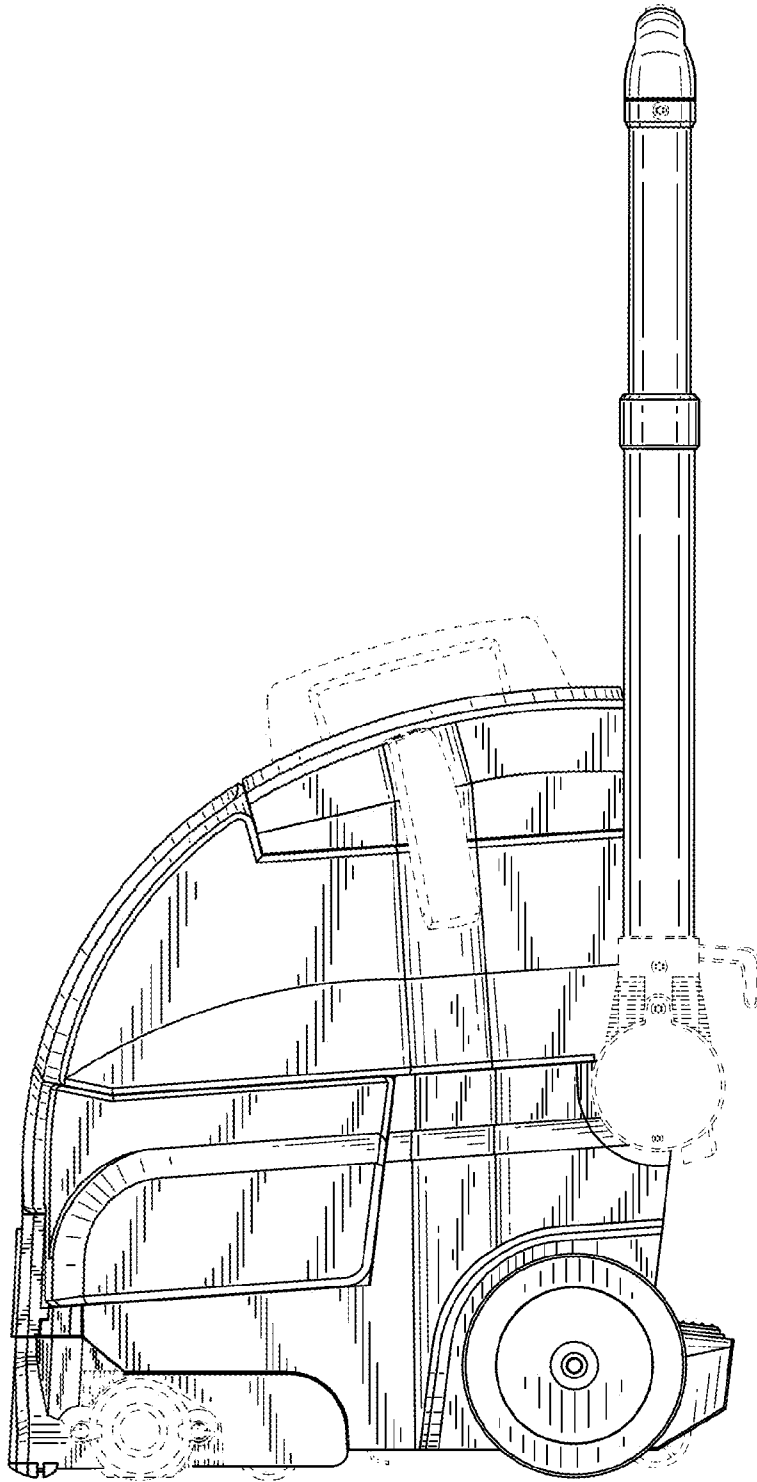


FIG. 11

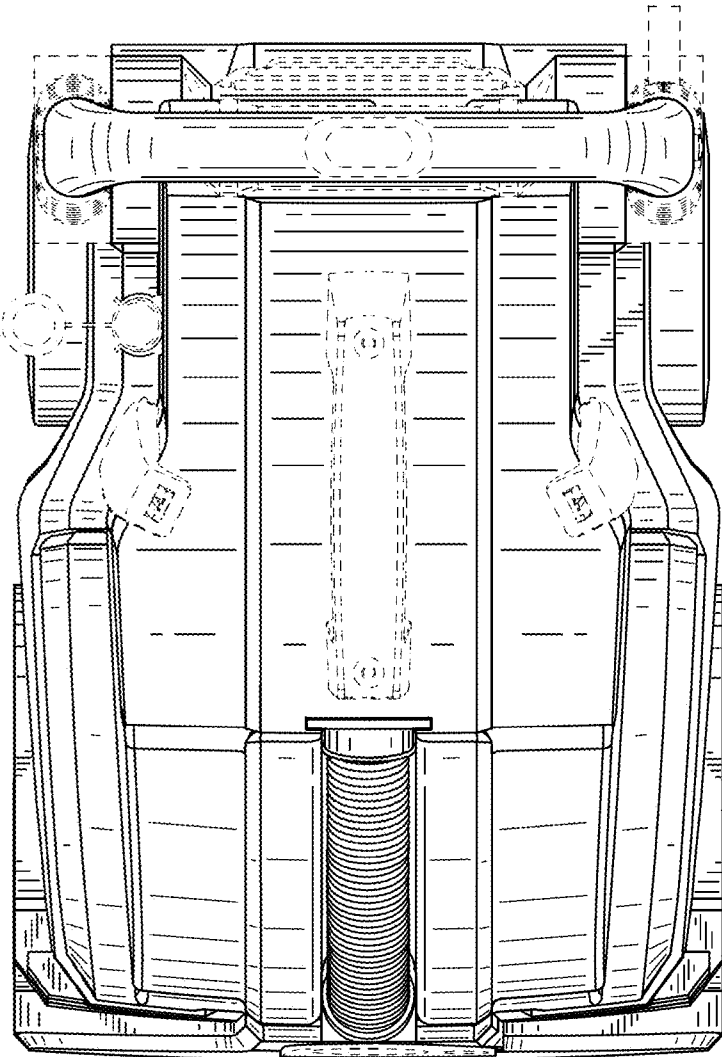


FIG. 12