

(19)  
(12)

(KR)  
(B1)

(51) 。 Int. Cl.<sup>6</sup>  
G06F 11/22

(45)  
(11)  
(24)

2004 03 18  
10-0404570  
2003 10 24

(21) 10-1996-0028589  
(22) 1996 07 15

(65)  
(43)

10-1998-0010778  
1998 04 30

(73) 2 259

(72) 120-1

(74) :

(54)

1.

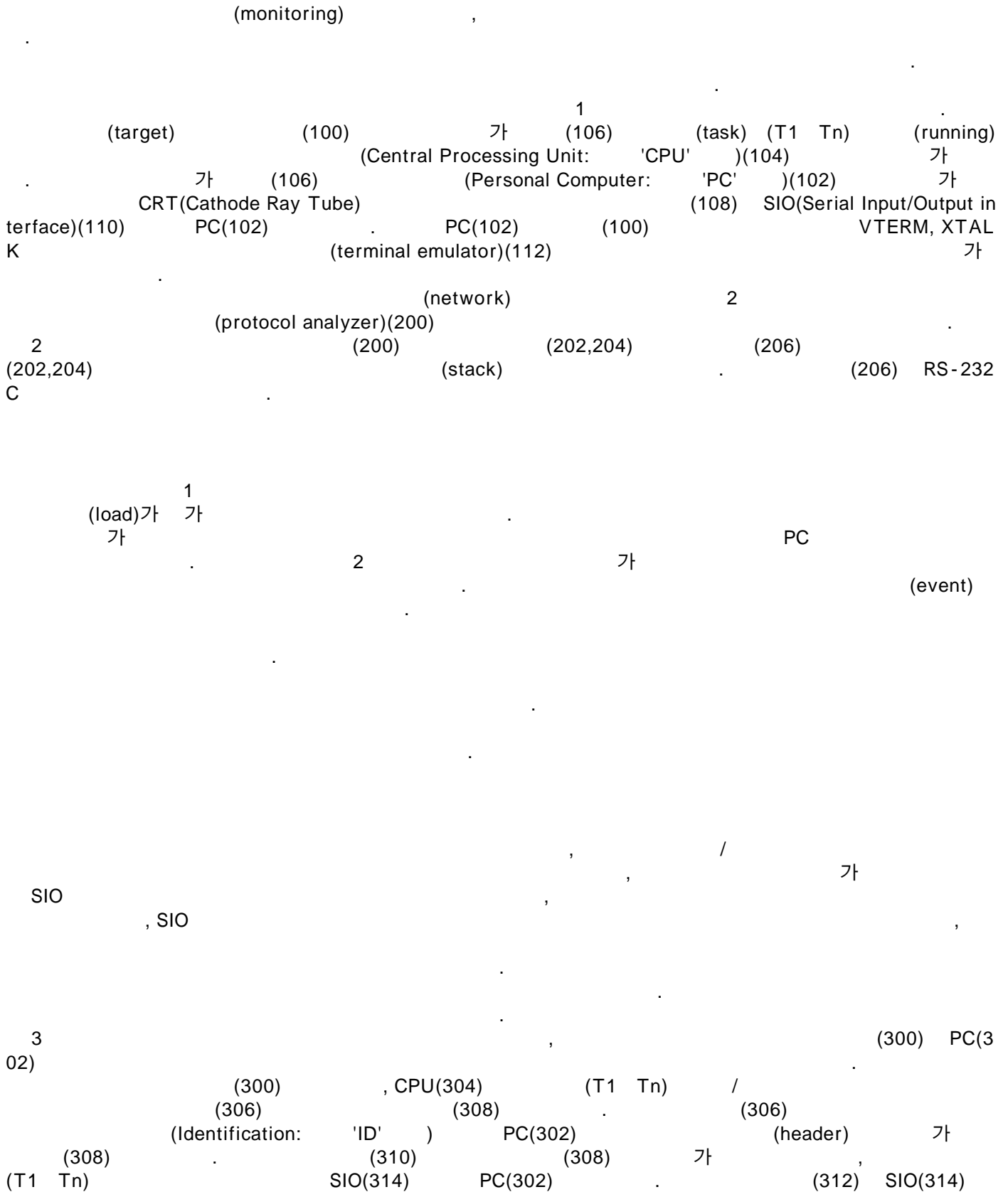
2.

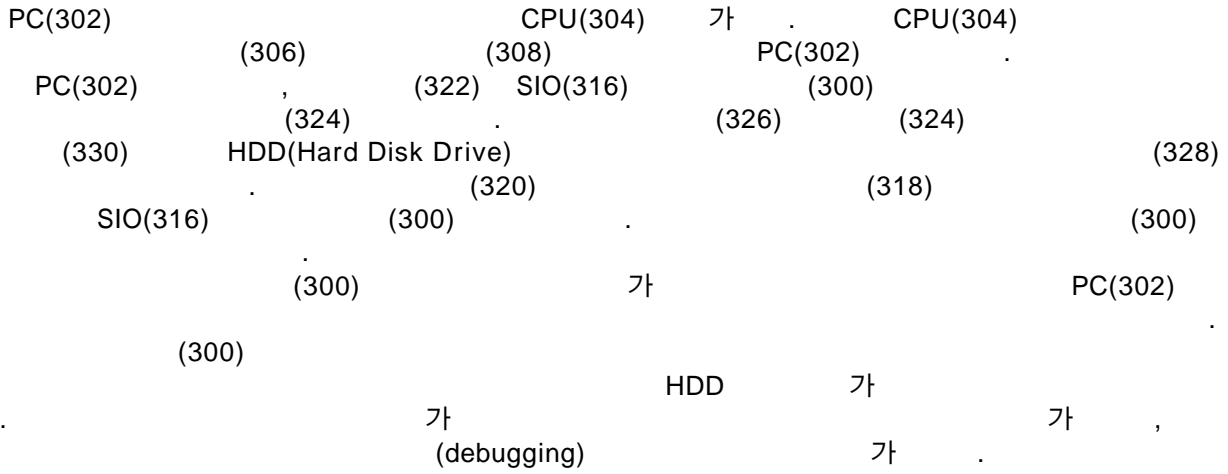
3. , / 가 SIO(Serial Input/Output interface)  
, SIO(Serial Input/Output interface)

4.

3

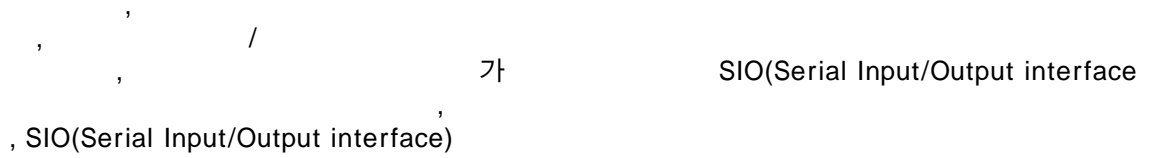
1  
2  
3





(57)

1.



2.



1

