



US00D743555S

(12) **United States Design Patent**  
**Hasebe**

(10) **Patent No.:** **US D743,555 S**

(45) **Date of Patent:** **\*\* Nov. 17, 2015**

(54) **PHOTOGRAPHIC PLATFORM FOR  
MEDICAL DIAGNOSIS**

(71) Applicant: **SHIMADZU CORPORATION**, Kyoto  
(JP)

(72) Inventor: **Shinya Hasebe**, Osaka (JP)

(73) Assignee: **SHIMADZU CORPORATION**, Kyoto  
(JP)

(\*\*) Term: **14 Years**

(21) Appl. No.: **29/515,627**

(22) Filed: **Jan. 26, 2015**

(30) **Foreign Application Priority Data**

Nov. 28, 2014 (JP) ..... 2014-026545

(51) **LOC (10) Cl.** ..... **24-01**

(52) **U.S. Cl.**  
USPC ..... **D24/159**

(58) **Field of Classification Search**

USPC ..... D24/158-161, 183-185; D6/691.4;  
378/4, 21-27, 38, 40, 62, 68, 102,  
378/196-198, 209; 600/410, 422; 5/601,  
5/607, 608

CPC . A61B 6/0407; A61B 6/0457; A61G 2210/50  
See application file for complete search history.

(56) **References Cited**

U.S. PATENT DOCUMENTS

D441,868 S *	5/2001	Santiago et al. ....	D24/183
6,334,708 B1 *	1/2002	Kosugi .....	378/197
D462,445 S *	9/2002	Barde et al. ....	D24/183
6,505,364 B2 *	1/2003	Simmons et al. ....	5/600
D527,459 S *	8/2006	Gireesh .....	D24/183
D630,330 S *	1/2011	Baba .....	D24/159
D681,208 S *	4/2013	Ninomiya et al. ....	D24/159
D726,319 S *	4/2015	Sul et al. ....	D24/159
D735,864 S *	8/2015	Doerre et al. ....	D24/159
2008/0279331 A1 *	11/2008	Huang .....	378/68
2009/0086930 A1 *	4/2009	Xu et al. ....	378/209
2014/0053333 A1 *	2/2014	Krieg et al. ....	5/601

\* cited by examiner

*Primary Examiner* — Anhdao Doan

(74) *Attorney, Agent, or Firm* — Jianq Chyun IP Office

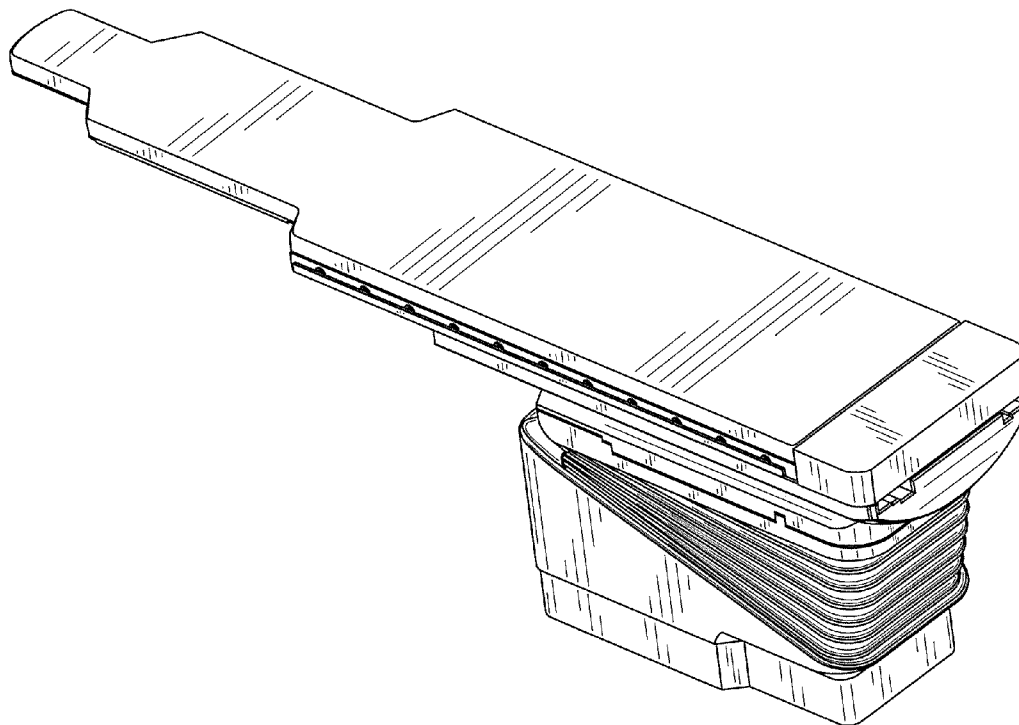
(57) **CLAIM**

The ornamental design for a photographic platform for medical diagnosis, as shown and described.

**DESCRIPTION**

FIG. 1 is a perspective view of a photographic platform for medical diagnosis showing my new design;  
FIG. 2 is another perspective view thereof;  
FIG. 3 is a front view thereof;  
FIG. 4 is a rear view thereof;  
FIG. 5 is a left side view thereof;  
FIG. 6 is a right side view thereof;  
FIG. 7 is a top view thereof; and,  
FIG. 8 is a bottom view thereof.

**1 Claim, 5 Drawing Sheets**



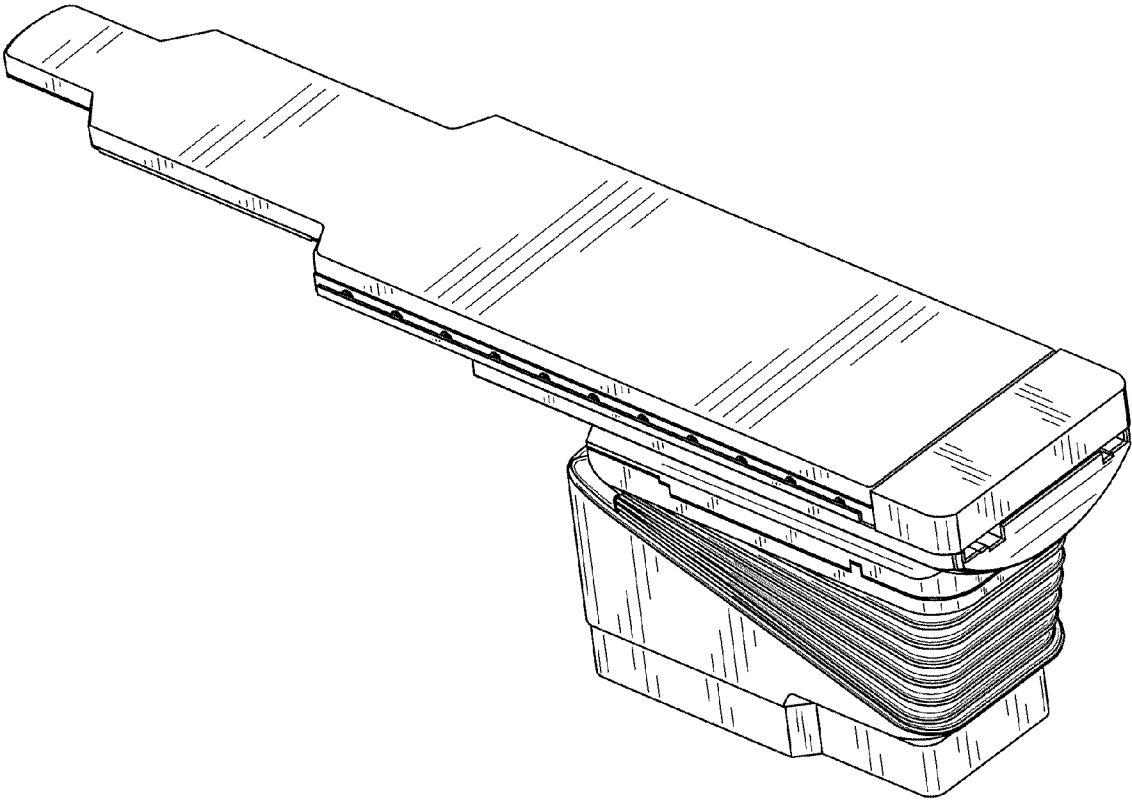


FIG. 1

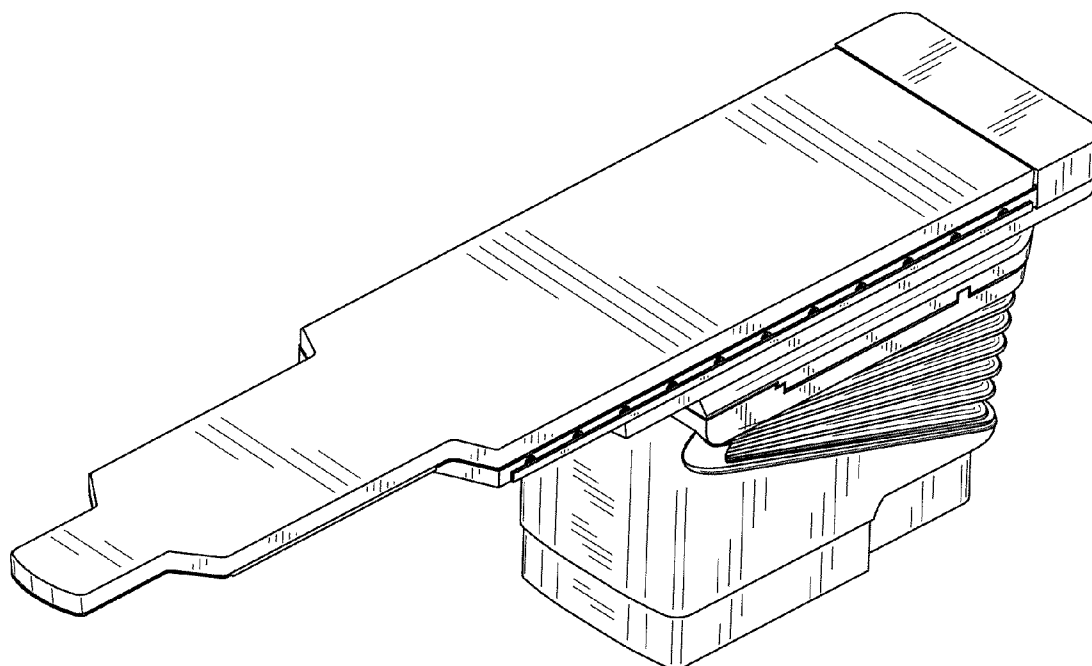


FIG. 2

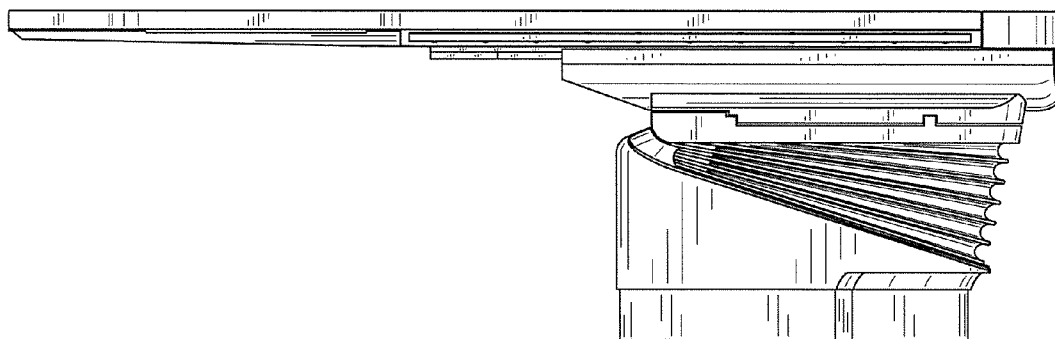


FIG. 3

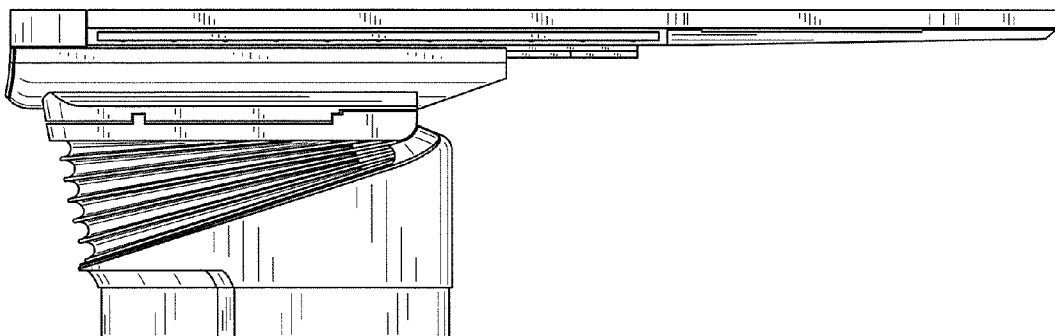


FIG. 4

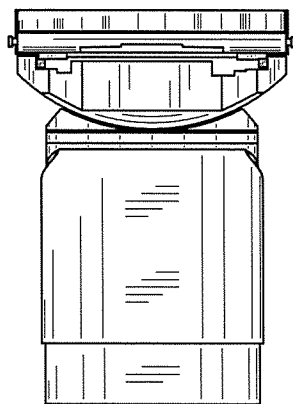


FIG. 5

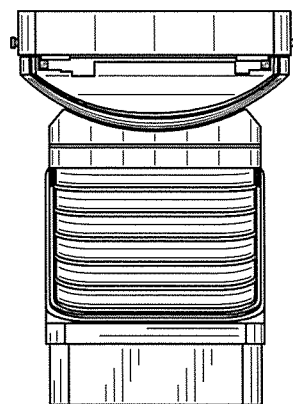


FIG. 6

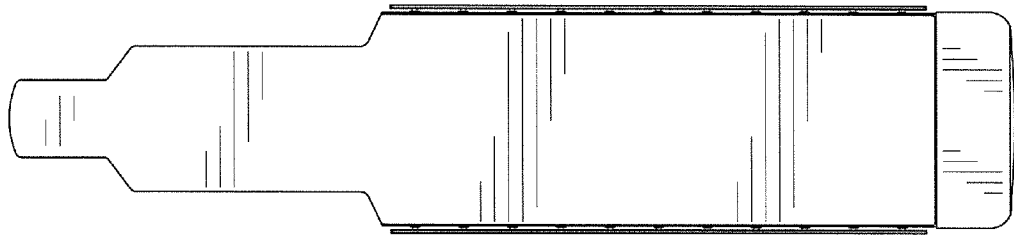


FIG. 7

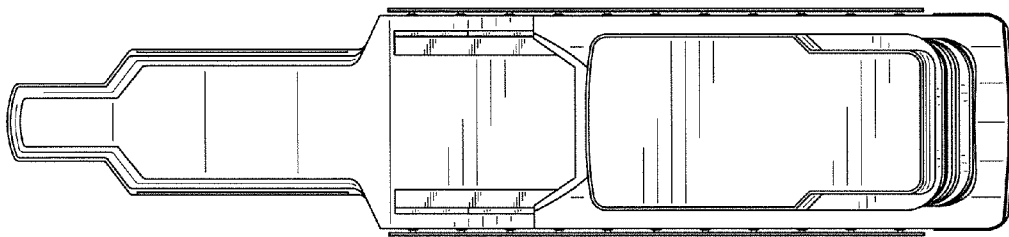


FIG. 8