



US00D974335S

(12) **United States Design Patent**
Ma

(10) **Patent No.:** **US D974,335 S**

(45) **Date of Patent:** **** Jan. 3, 2023**

- (54) **WIRELESS EARPHONE**
- (71) Applicant: **SHENZHEN NA YIN TECHNOLOGY CO., LTD.**, Shenzhen (CN)
- (72) Inventor: **Shaowu Ma**, Shenzhen (CN)
- (73) Assignee: **SHENZHEN NA YIN TECHNOLOGY CO., LTD.**, Shenzhen (CN)

D878,338 S *	3/2020	Yang	D14/223
D881,850 S *	4/2020	Zhang	D14/223
D890,726 S *	7/2020	Park	D14/223
D902,891 S *	11/2020	Liu	D14/223
D904,761 S *	12/2020	Koneru	D3/274
D904,762 S *	12/2020	Koneru	D3/274
D904,901 S *	12/2020	Koneru	D9/721
D907,608 S *	1/2021	Xie	D14/223
D912,015 S *	3/2021	Xie	D14/223
D920,959 S *	6/2021	Cai	D14/223
D928,123 S *	8/2021	Gao	D14/223

* cited by examiner

Primary Examiner — Katie Jane Stofko

(**) Term: **15 Years**

(21) Appl. No.: **29/783,894**

(22) Filed: **May 17, 2021**

(51) **LOC (14) Cl.** **14-01**

(52) **U.S. Cl.**
USPC **D14/223**

(58) **Field of Classification Search**
USPC D14/223, 205, 206; D24/174, 217, 218;
128/864, 865, 866; 181/129, 130, 135;
379/430, 431; 381/380, 381, 322-324,
381/330; 455/90.3, 575, 1, 569.1;
D9/415, 432, 721; D3/274, 294;
D13/108

CPC H04R 1/10; H04R 25/00; H04R 1/1016;
H04R 1/1066; H04R 5/033; H04R
5/0335; H04R 1/1091; H04R 1/1058;
H04R 1/105; H04R 1/1083

See application file for complete search history.

(56) **References Cited**

U.S. PATENT DOCUMENTS

D817,305 S *	5/2018	Hsieh	D14/206
D849,401 S *	5/2019	Akana	D3/274

(57) **CLAIM**

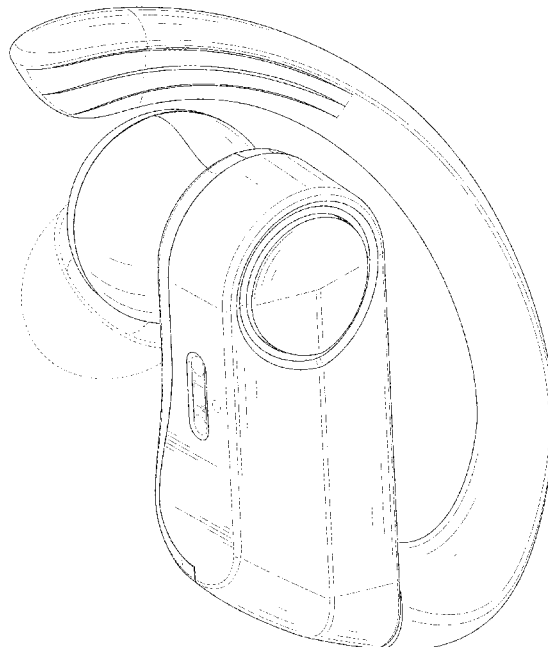
The ornamental design for a wireless earphone, as shown and described.

DESCRIPTION

FIG. 1 is a front, top and left side perspective view of a wireless earphone showing my new design;
 FIG. 2 is a rear, bottom and right side perspective view thereof;
 FIG. 3 is a front elevational view thereof;
 FIG. 4 is a rear elevational view thereof;
 FIG. 5 is a left side elevational view thereof;
 FIG. 6 is a right side elevational view thereof;
 FIG. 7 is a top plan view thereof; and,
 FIG. 8 is a bottom plan view thereof.

The broken lines in the drawings depict portions of the wireless earphone that form no part of the claimed design.

1 Claim, 8 Drawing Sheets



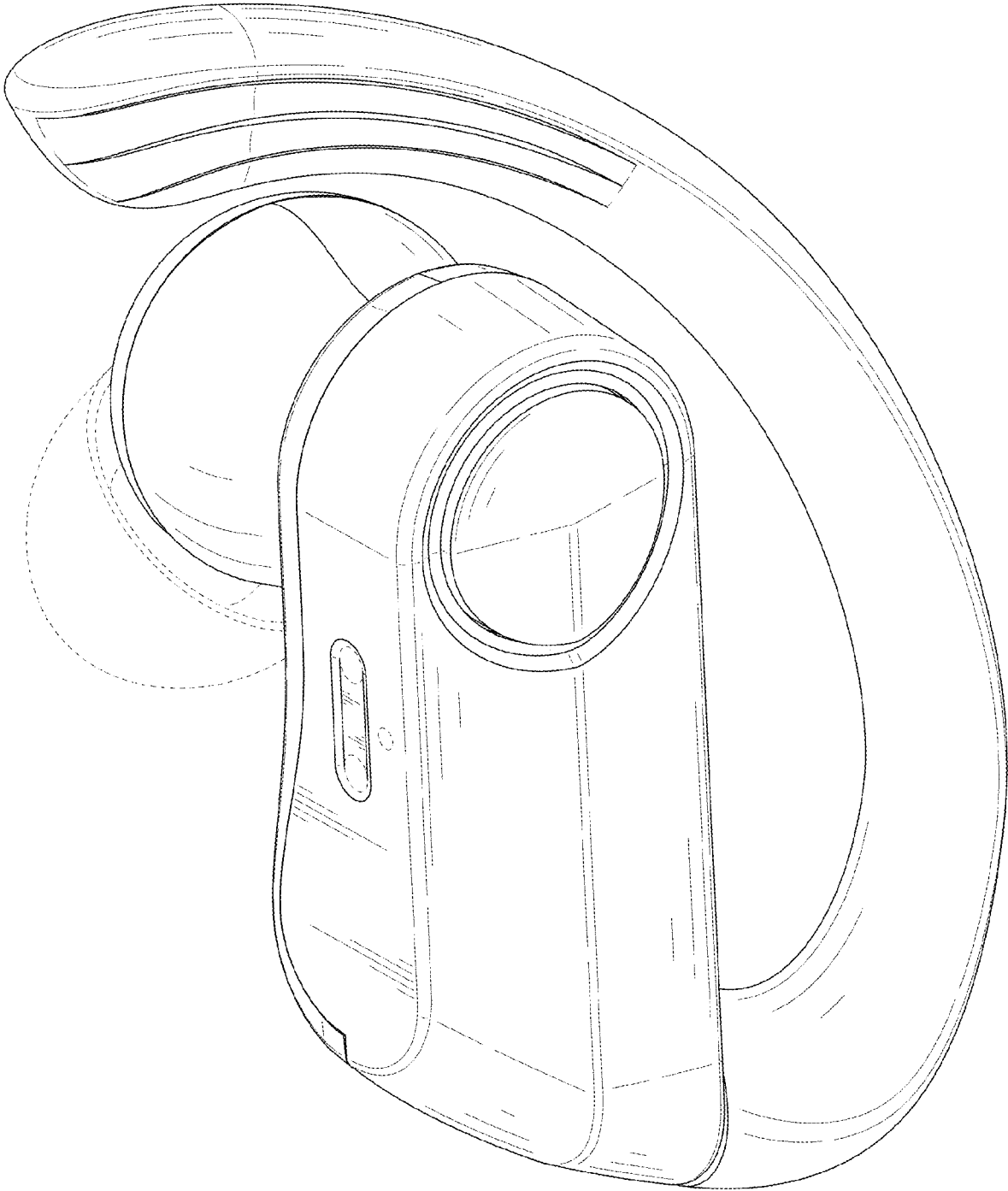


FIG. 1

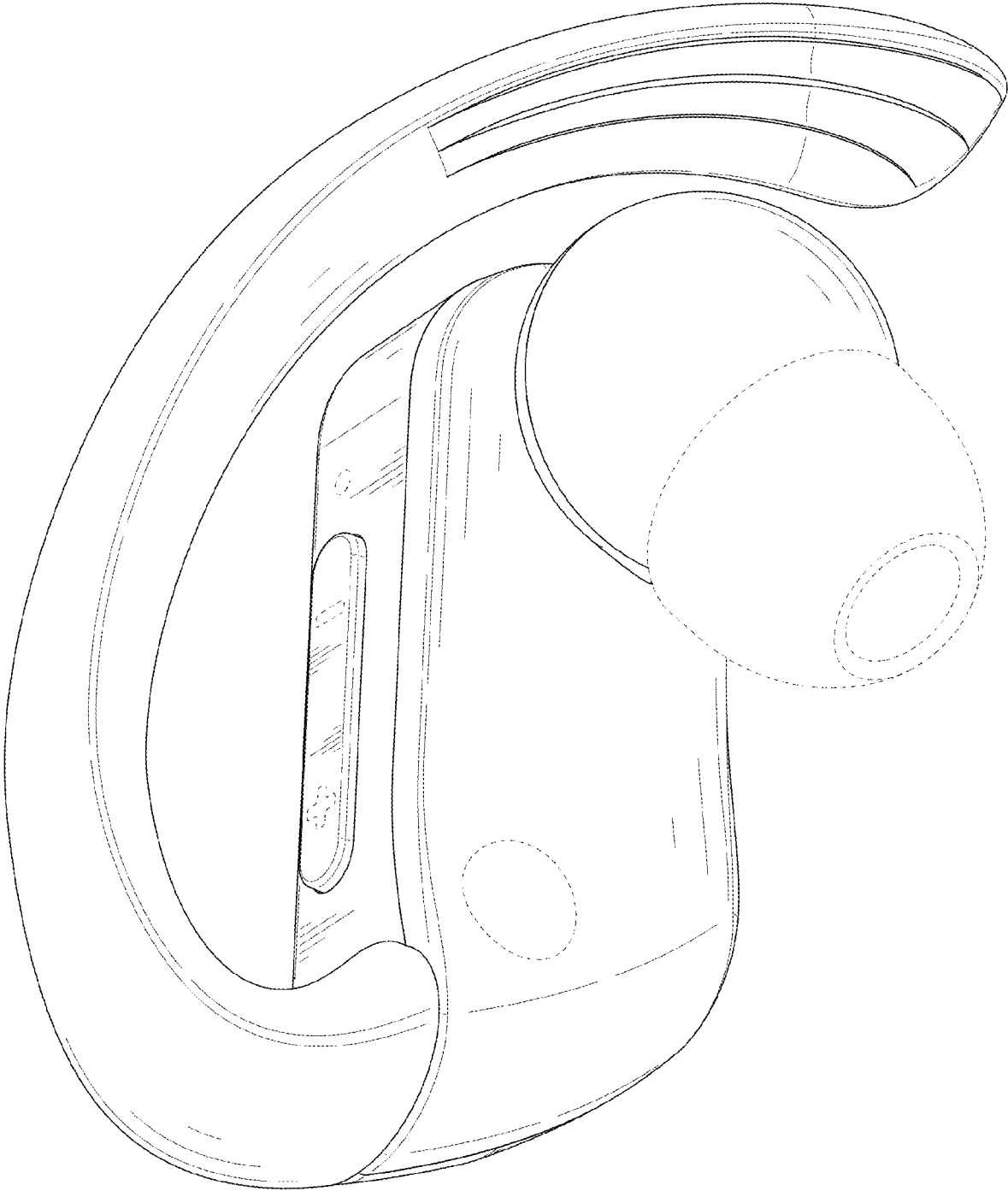


FIG. 2

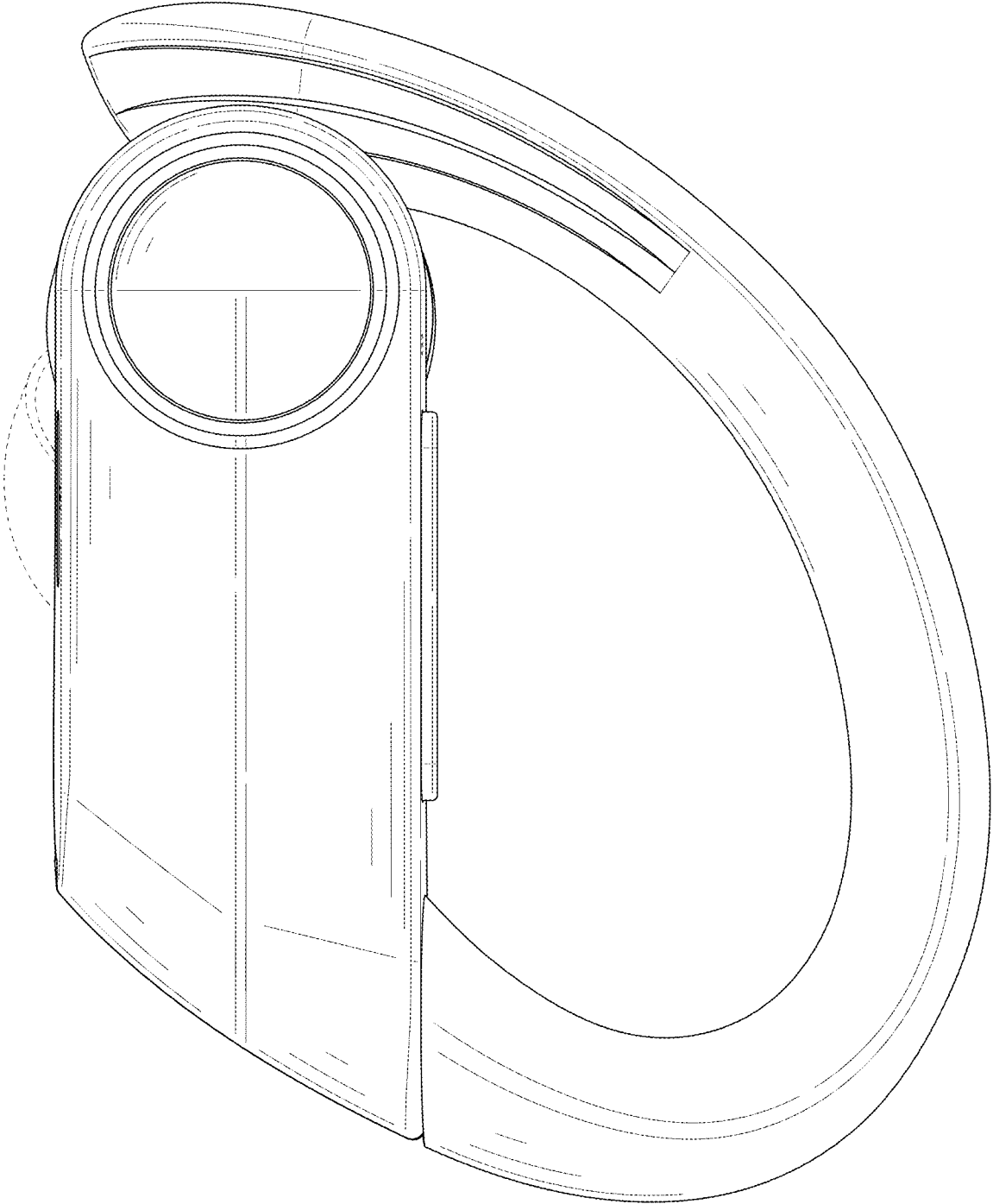


FIG. 3

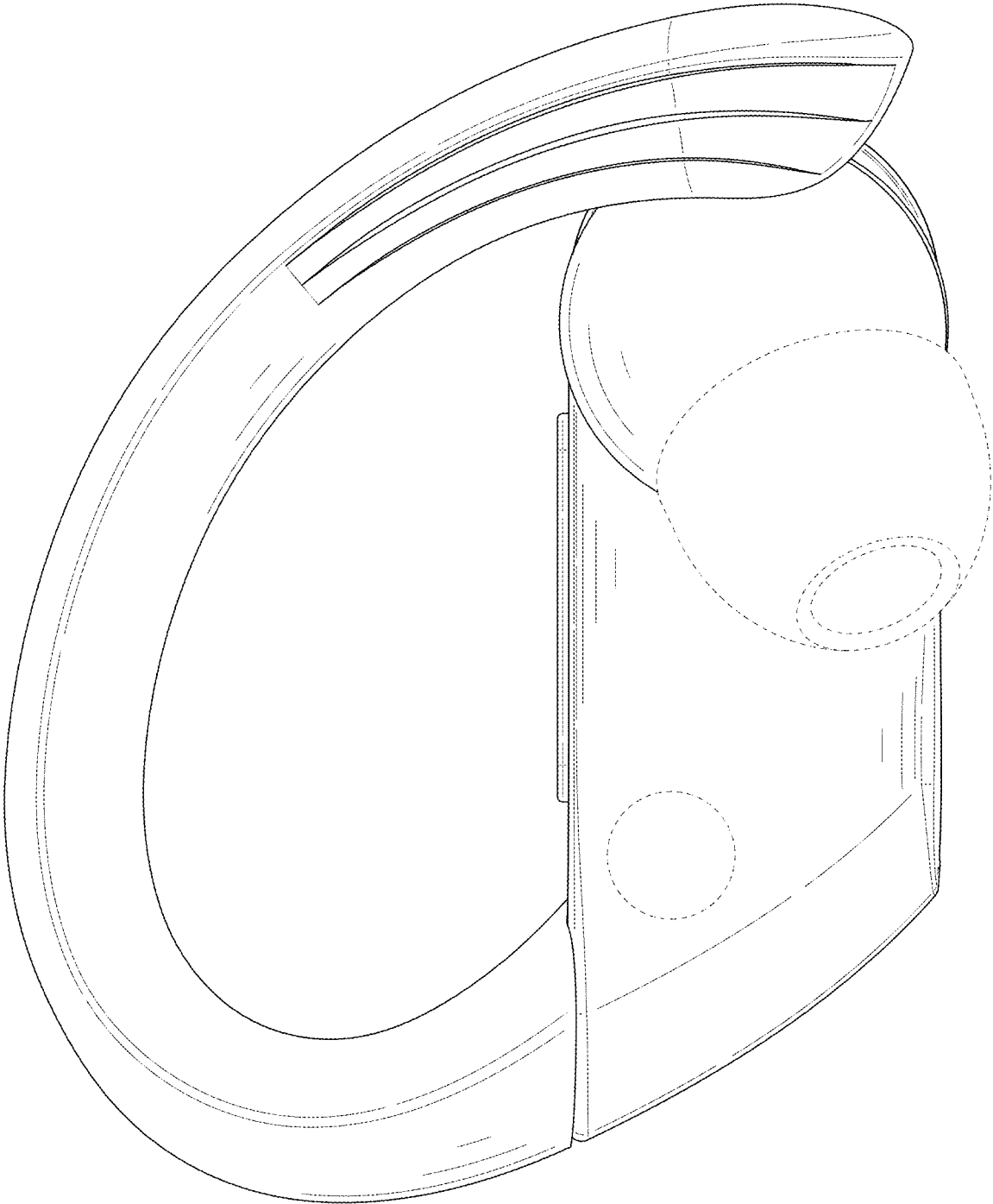


FIG. 4

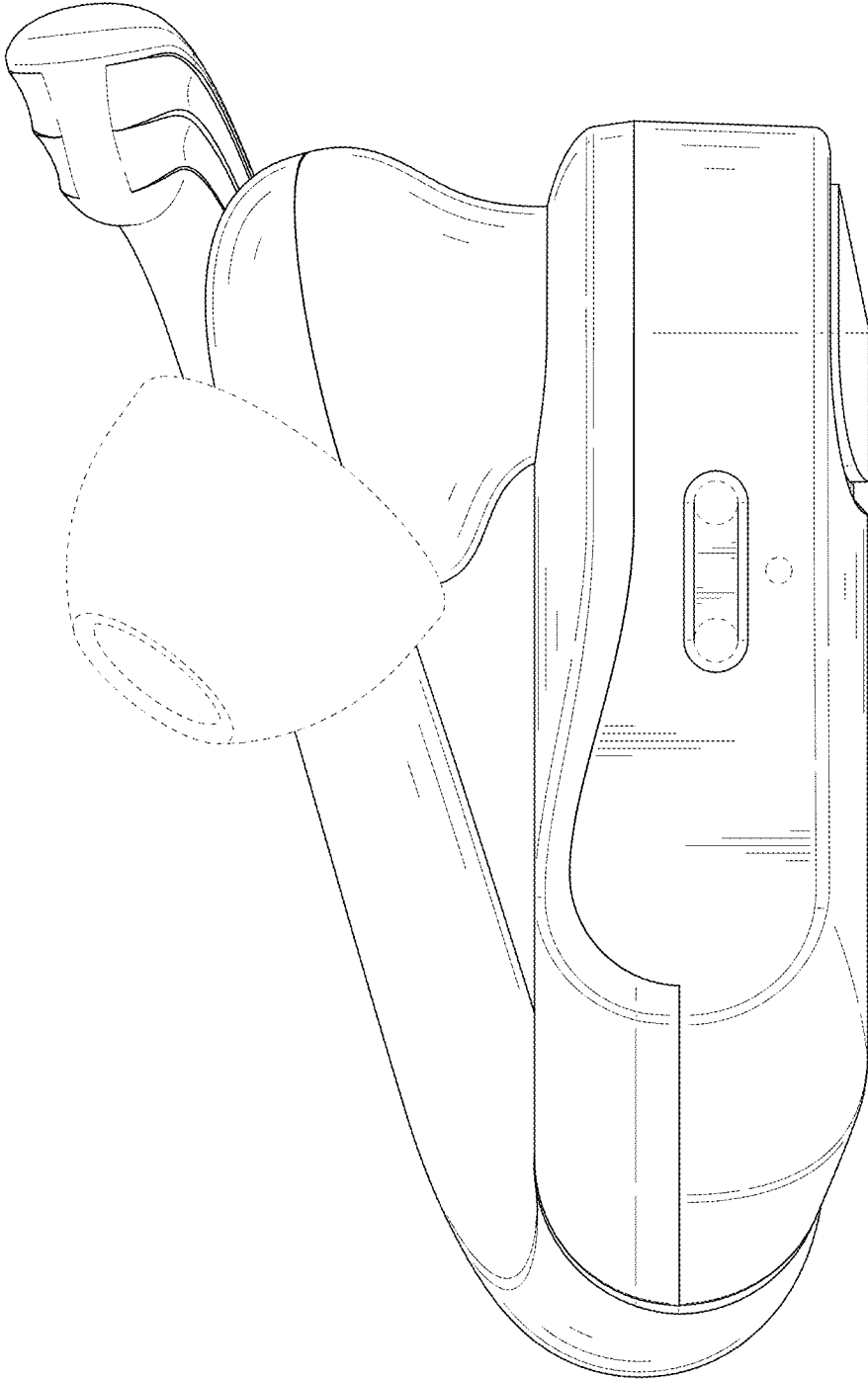


FIG. 5

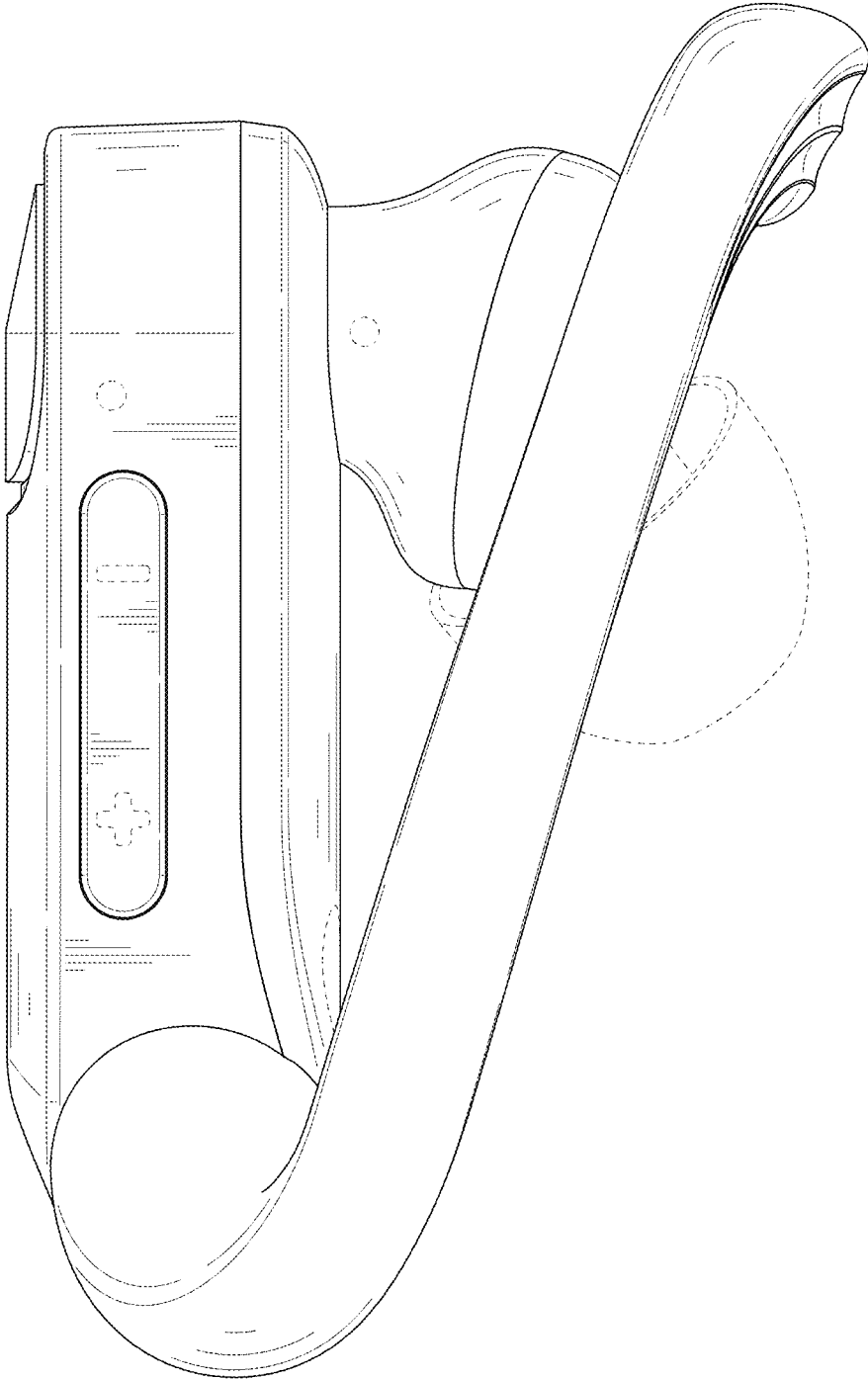


FIG. 6

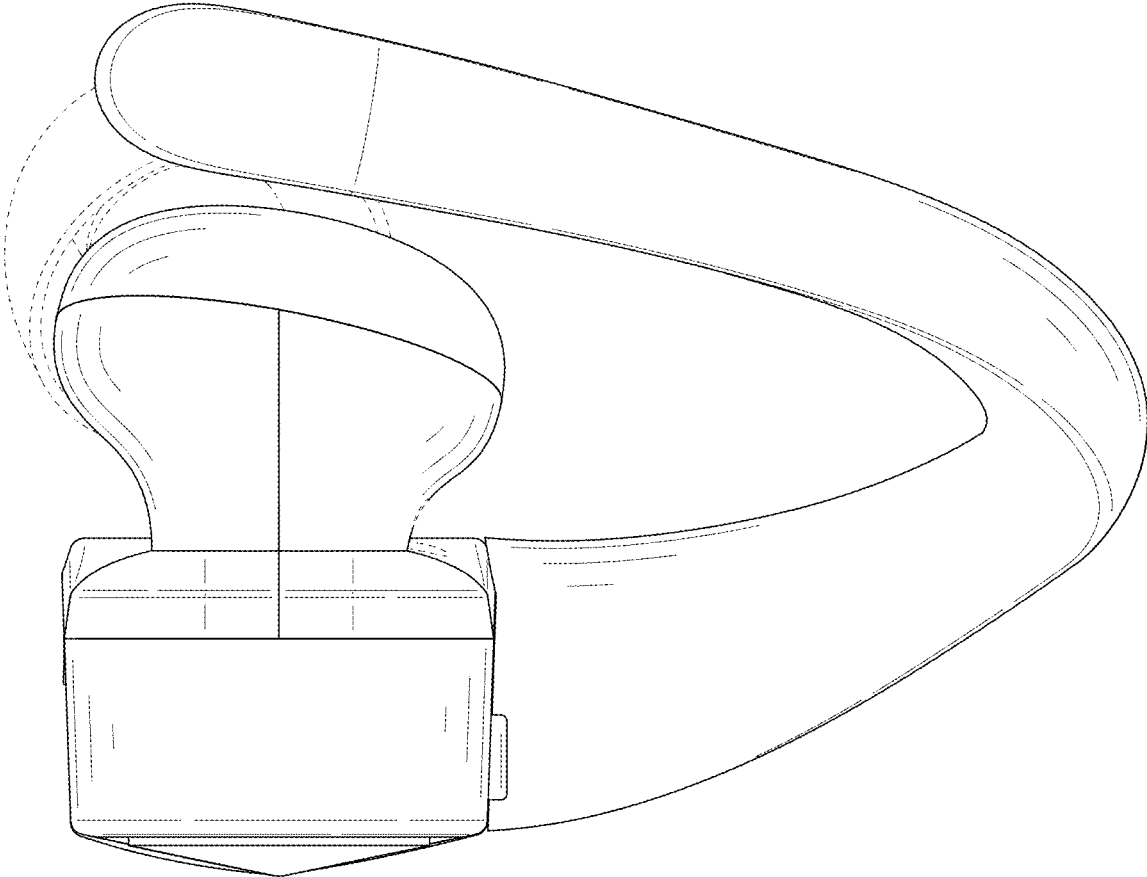


FIG. 7

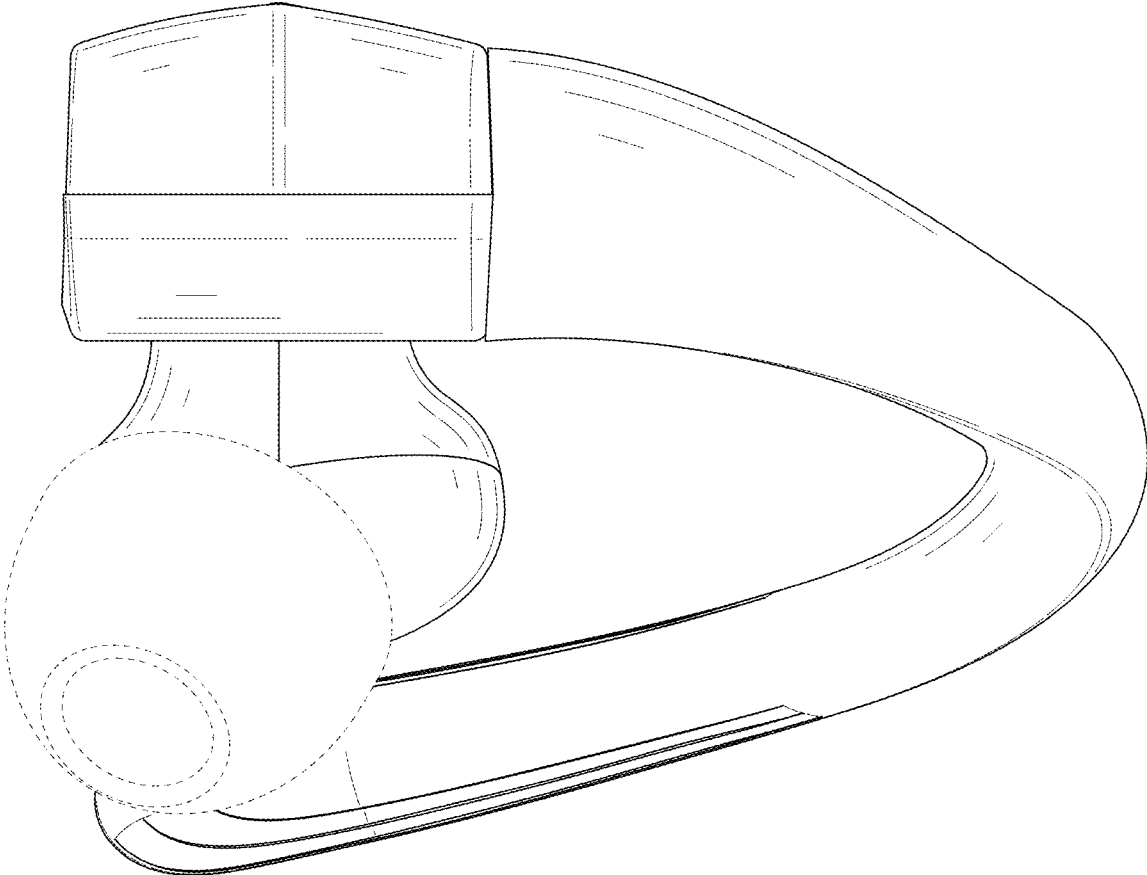


FIG. 8