



(12) **United States Design Patent**
Zhang et al.

(10) **Patent No.:** **US D1,038,936 S**
(45) **Date of Patent:** **** Aug. 13, 2024**

(54) **DISPLAY DEVICE**

(71) Applicant: **GE Precision Healthcare LLC**,
Wauwatosa, WI (US)

(72) Inventors: **Long Zhang**, Wuxi (CN); **Lei Xia**,
ShangHai (CN); **Jun Hou**, ShangHai
(CN); **Yuan Gao**, Wuxi (CN); **Kai
Shen**, Wuxi (CN)

(73) Assignee: **GE PRECISION HEALTHCARE
LLC**, Wauwatosa, WI (US)

(**) Term: **15 Years**

(21) Appl. No.: **29/791,754**

(22) Filed: **Feb. 4, 2022**

(51) **LOC (14) Cl.** **24-02**

(52) **U.S. Cl.**
USPC **D24/216**

(58) **Field of Classification Search**
USPC D14/126, 125, 300, 129, 132, 133, 239,
D14/307, 371, 377, 366, 378, 379, 380,
(Continued)

(56) **References Cited**

U.S. PATENT DOCUMENTS

D183,032 S * 6/1958 Glenview, III D14/382
D377,929 S * 2/1997 Sekino D14/336
(Continued)

OTHER PUBLICATIONS

BeneHeart R12 ECG, Jan. 26, 2021, YouTube, site visited Oct. 28,
2023: <https://www.youtube.com/watch?v=Fy2Yj3caKPU> (Year: 2021).*
(Continued)

Primary Examiner — Leanne Was-Englehart
Assistant Examiner — Alison Davis

(74) *Attorney, Agent, or Firm* — McCoy Russell LLP

(57) **CLAIM**

The ornamental design for a display device, as shown and
described.

DESCRIPTION

FIG. 1 is a top-front-left perspective view of a display device
according to a first embodiment of the claimed design.

FIG. 2 is a top-rear-right perspective view of the display
device of FIG. 1.

FIG. 3 is a bottom-front-right perspective view of the
display device of FIG. 1.

FIG. 4 is a bottom-rear-left perspective view of the display
device of FIG. 1.

FIG. 5 is a top view of the display device of FIG. 1.

FIG. 6 is a bottom view of the display device of FIG. 1.

FIG. 7 is a front view of the display device of FIG. 1.

FIG. 8 is a rear view of the display device of FIG. 1.

FIG. 9 is a left side view of the display device of FIG. 1.

FIG. 10 is a right side view of the display device of FIG. 1.

FIG. 11 is a right side view of the display device of FIG. 1
with the handle in a partially extended configuration.

FIG. 12 is a top-rear-right perspective view of the display
device of FIG. 1 with the handle in a fully extended
configuration.

FIG. 13 is a right side view of the display device of FIG. 1
with the handle in the fully extended configuration.

FIG. 14 is a top-front-left perspective view of a display
device according to a second embodiment of the claimed
design.

FIG. 15 is a top-rear-right perspective view of the display
device of FIG. 14.

FIG. 16 is a bottom-front-right perspective view of the
display device of FIG. 14.

FIG. 17 is a bottom-rear-left perspective view of the display
device of FIG. 14.

FIG. 18 is a top view of the display device of FIG. 14.

FIG. 19 is a bottom view of the display device of FIG. 14.

FIG. 20 is a front view of the display device of FIG. 14.

FIG. 21 is a rear view of the display device of FIG. 14.

FIG. 22 is a left side view of the display device of FIG. 14.

FIG. 23 is a right side view of the display device of FIG. 14.

(Continued)

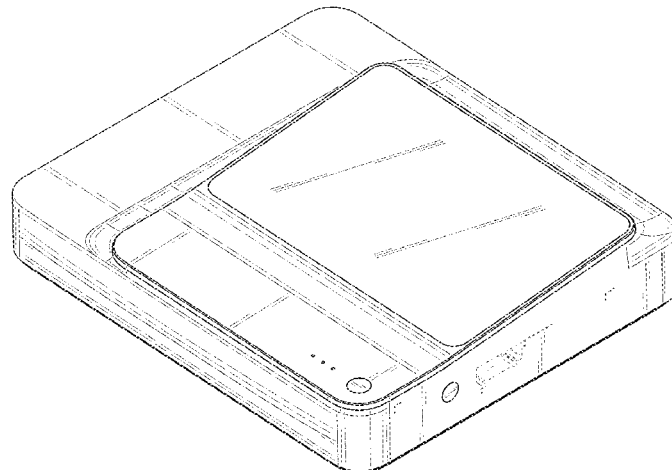


FIG. 24 is a right side view of the display device of FIG. 14 with the handle in a partially extended configuration.
 FIG. 25 is a top-rear-right perspective view of the display device of FIG. 14 with the handle in a fully extended configuration.
 FIG. 26 is a right side view of the display device of FIG. 14 with the handle in the fully extended configuration.
 FIG. 27 is a top-front-left perspective view of a display device according to a third embodiment of the claimed design.
 FIG. 28 is a top-rear-right perspective view of the display device of FIG. 27.
 FIG. 29 is a bottom-front-right perspective view of the display device of FIG. 27.
 FIG. 30 is a bottom-rear-left perspective view of the display device of FIG. 27.
 FIG. 31 is a top view of the display device of FIG. 27.
 FIG. 32 is a bottom view of the display device of FIG. 27.
 FIG. 33 is a front view of the display device of FIG. 27.
 FIG. 34 is a rear view of the display device of FIG. 27.
 FIG. 35 is a left side view of the display device of FIG. 27.
 FIG. 36 is a right side view of the display device of FIG. 27.
 FIG. 37 is a right side view of the display device of FIG. 27 with the handle in a partially extended configuration.
 FIG. 38 is a top-rear-right perspective view of the display device of FIG. 27 with the handle in a fully extended configuration; and,
 FIG. 39 is a right side view of the display device of FIG. 27 with the handle in the fully extended configuration.
 The broken lines in the drawings illustrate portions of the display device that form no part of the claimed design.

1 Claim, 39 Drawing Sheets

(58) **Field of Classification Search**

USPC D14/381, 382, 399, 448, 496, 389;
 D12/400, 192; D24/186, 167, 216

CPC G06F 1/16; G06F 1/1601; G06F 1/1637;
 H05K 5/00; H04N 5/64
 See application file for complete search history.

(56)

References Cited

U.S. PATENT DOCUMENTS

6,163,451	A *	12/2000	Chiu	F16M 11/18 248/419
D663,435	S *	7/2012	Eikhoff	D24/186
D717,441	S *	11/2014	Neo	D24/167
D717,446	S *	11/2014	Lu	D24/167
D724,220	S *	3/2015	Sun	D24/167
D770,052	S *	10/2016	Abu-Tarif	D24/186
D771,139	S *	11/2016	Poulheim	D14/203.3
D807,884	S *	1/2018	Blanchette	D14/389
D828,574	S *	9/2018	Fujiwara	D24/186
D829,273	S *	9/2018	Campanini	D18/4.5
D835,100	S *	12/2018	Zhan	D14/371
D901,695	S *	11/2020	Zhou	D24/186
D908,893	S *	1/2021	Xia	D24/186
D912,639	S *	3/2021	Chang	D24/185
D926,097	S *	7/2021	Trabucco	D10/65
D940,331	S *	1/2022	Räisänen	D24/186
D942,021	S *	1/2022	Estes	D24/186
D946,763	S *	3/2022	Ubbesen	D24/186
D967,437	S *	10/2022	He	D24/186
D993,421	S *	7/2023	Tan	D24/185
2012/0224200	A1 *	9/2012	Nihashi	G07G 1/0018 358/1.12
2016/0231779	A1 *	8/2016	Kaneko	E05B 73/0082
2020/0125226	A1 *	4/2020	Wun	G06F 15/0291

OTHER PUBLICATIONS

MAC 5, Jul. 1, 2022, YouTube, site visited Oct. 28, 2023: <https://www.youtube.com/watch?v=bqSACyMyPxc&t=70s> (Year: 2022).*
 Contec E6 portable ecg machine, unknown date, Contec, site visited Oct. 28, 2023: (Year: 2023).*

* cited by examiner

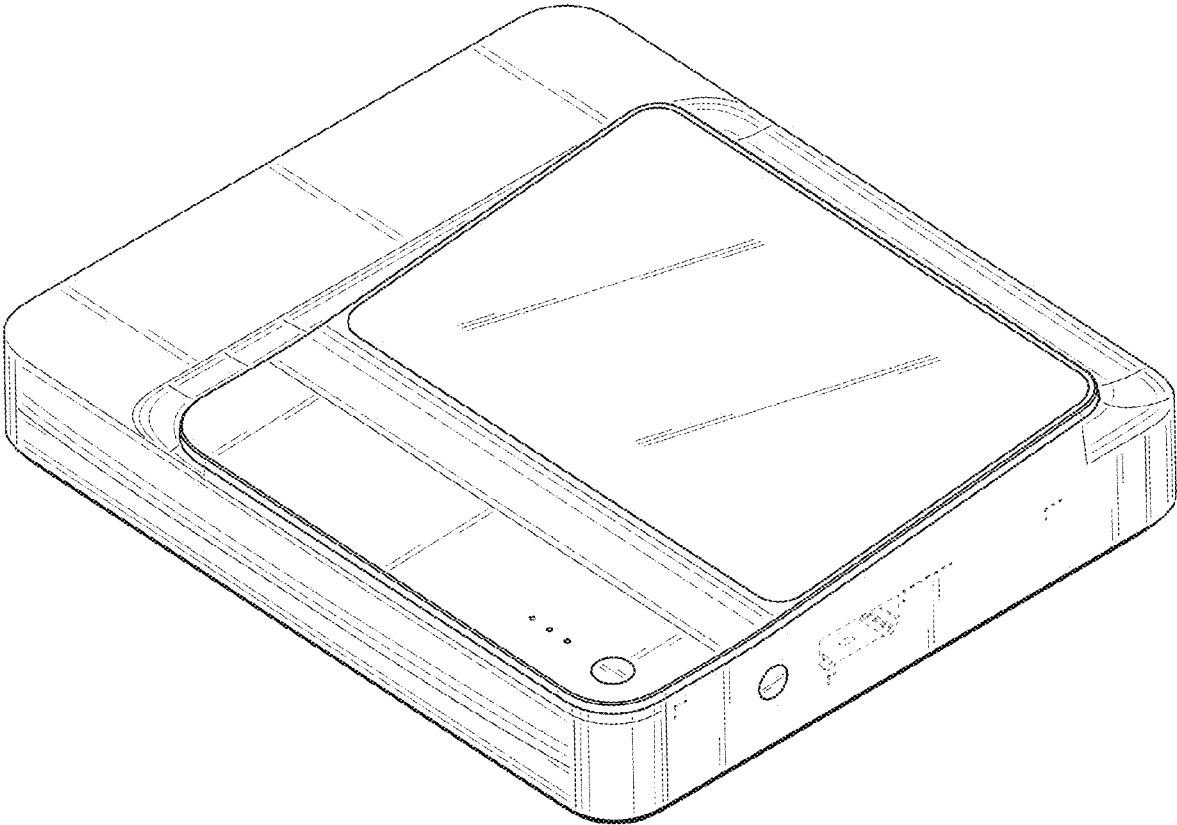


FIG. 1

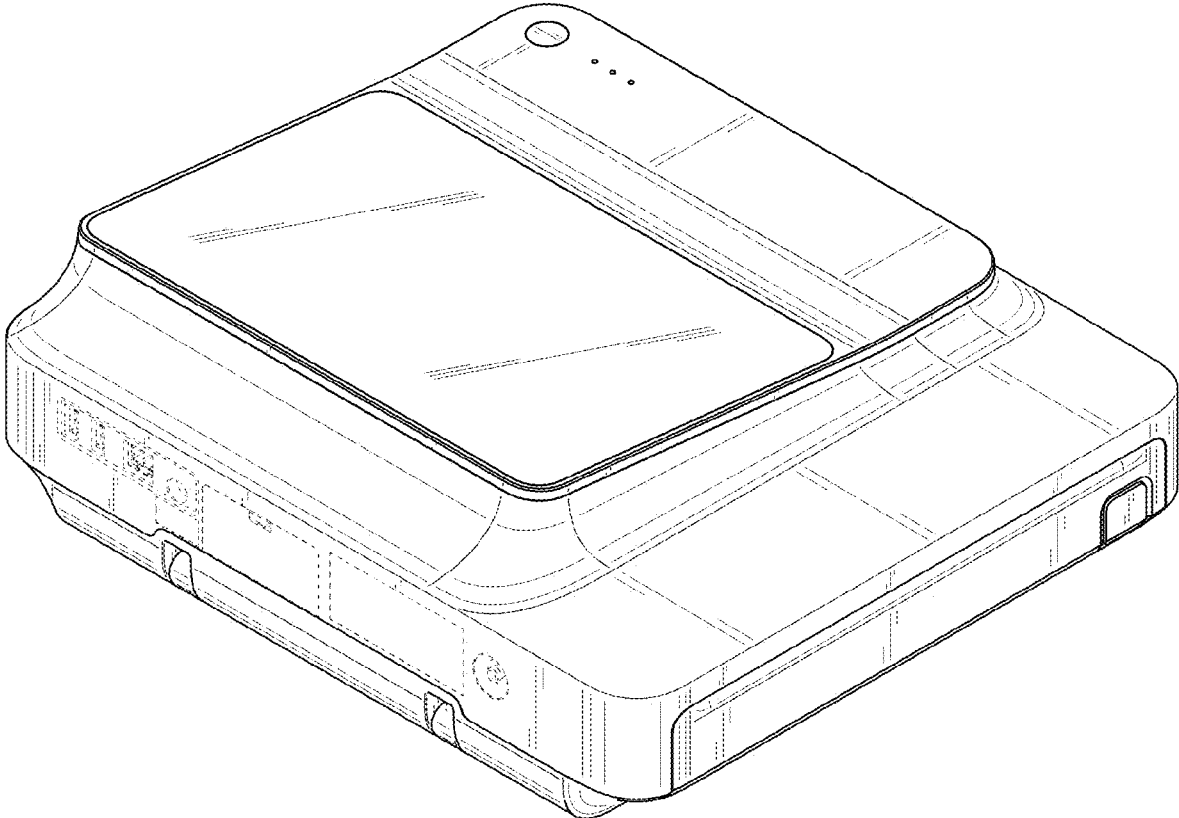


FIG. 2

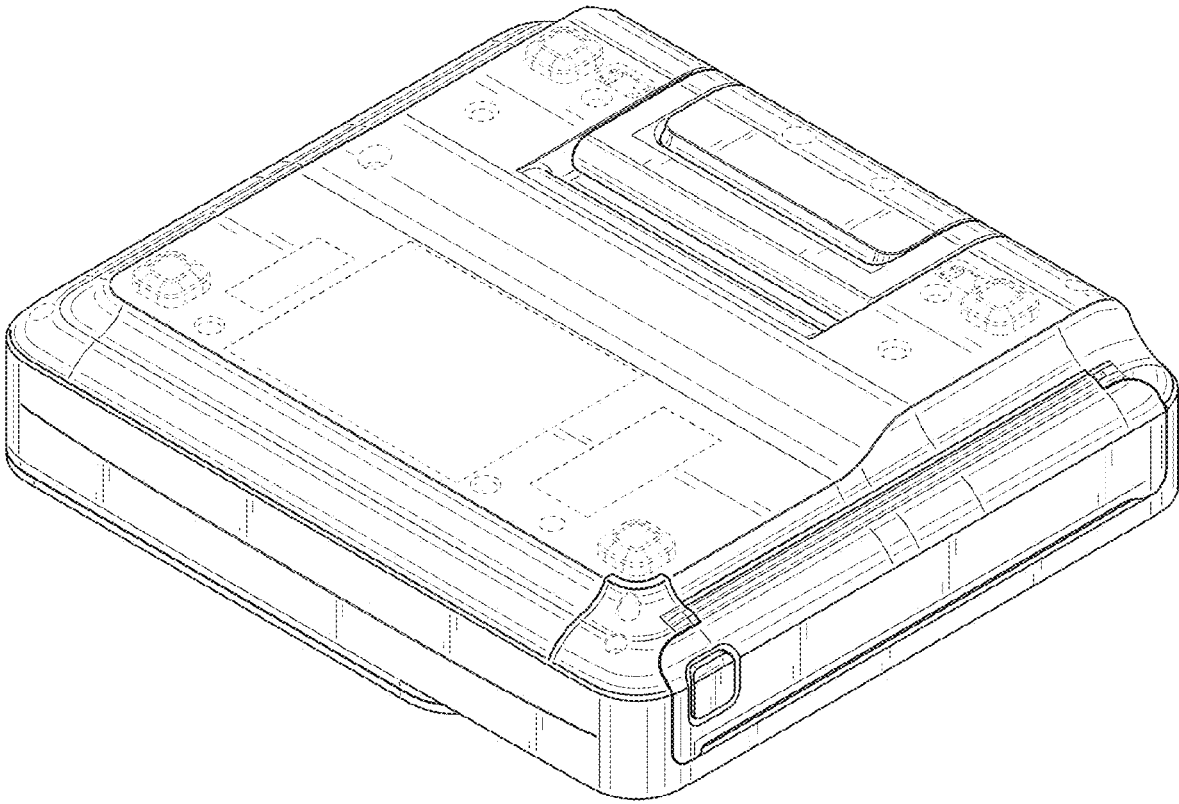


FIG. 3

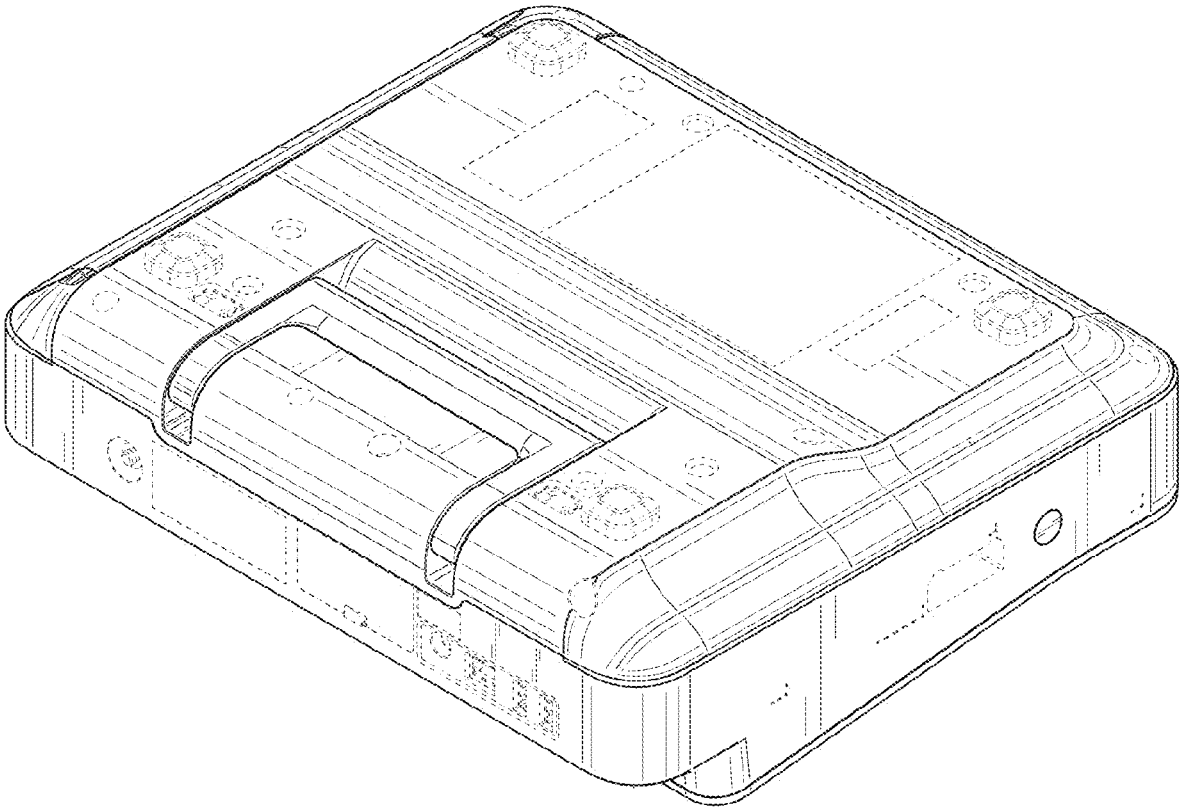


FIG. 4

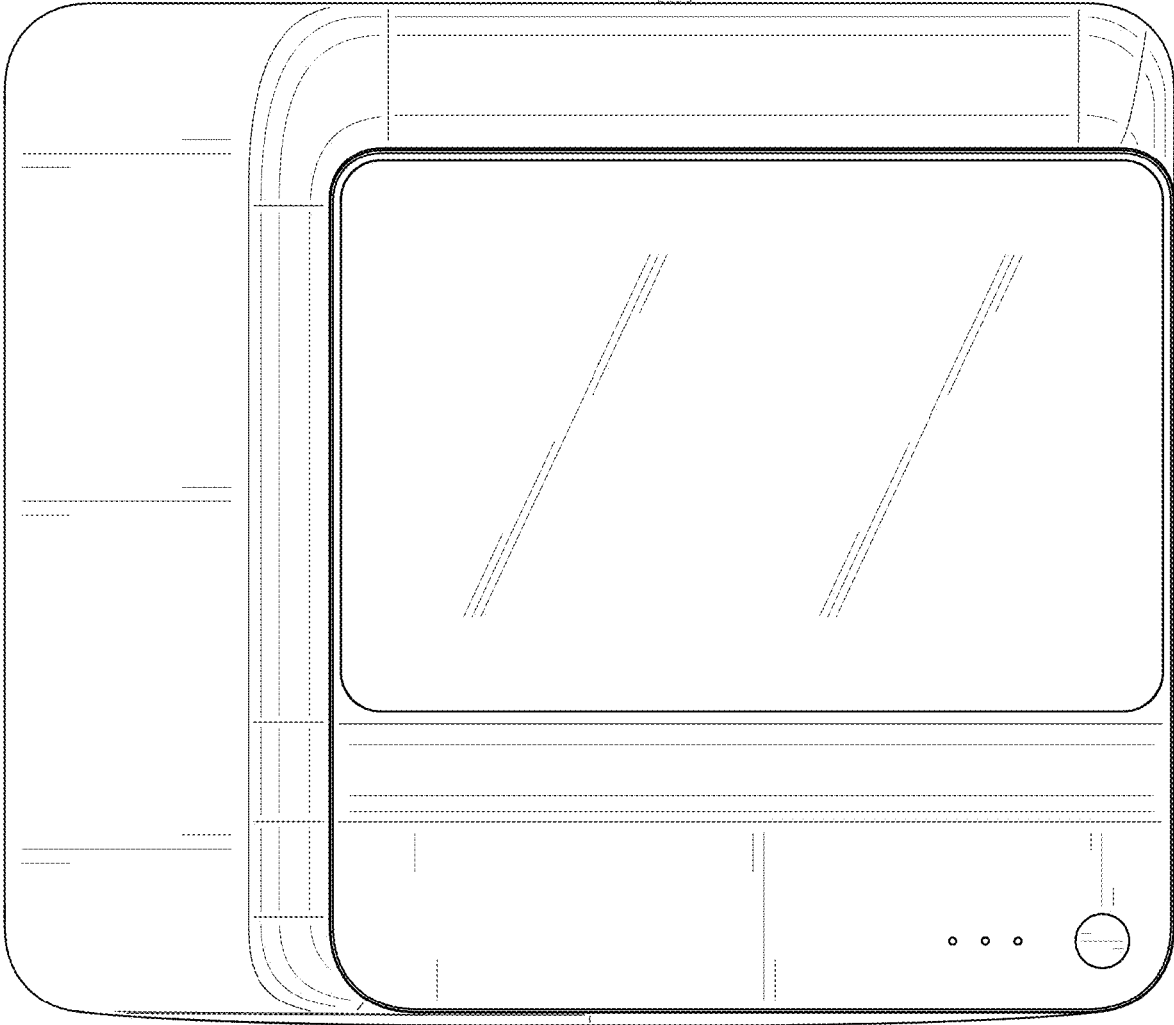


FIG. 5

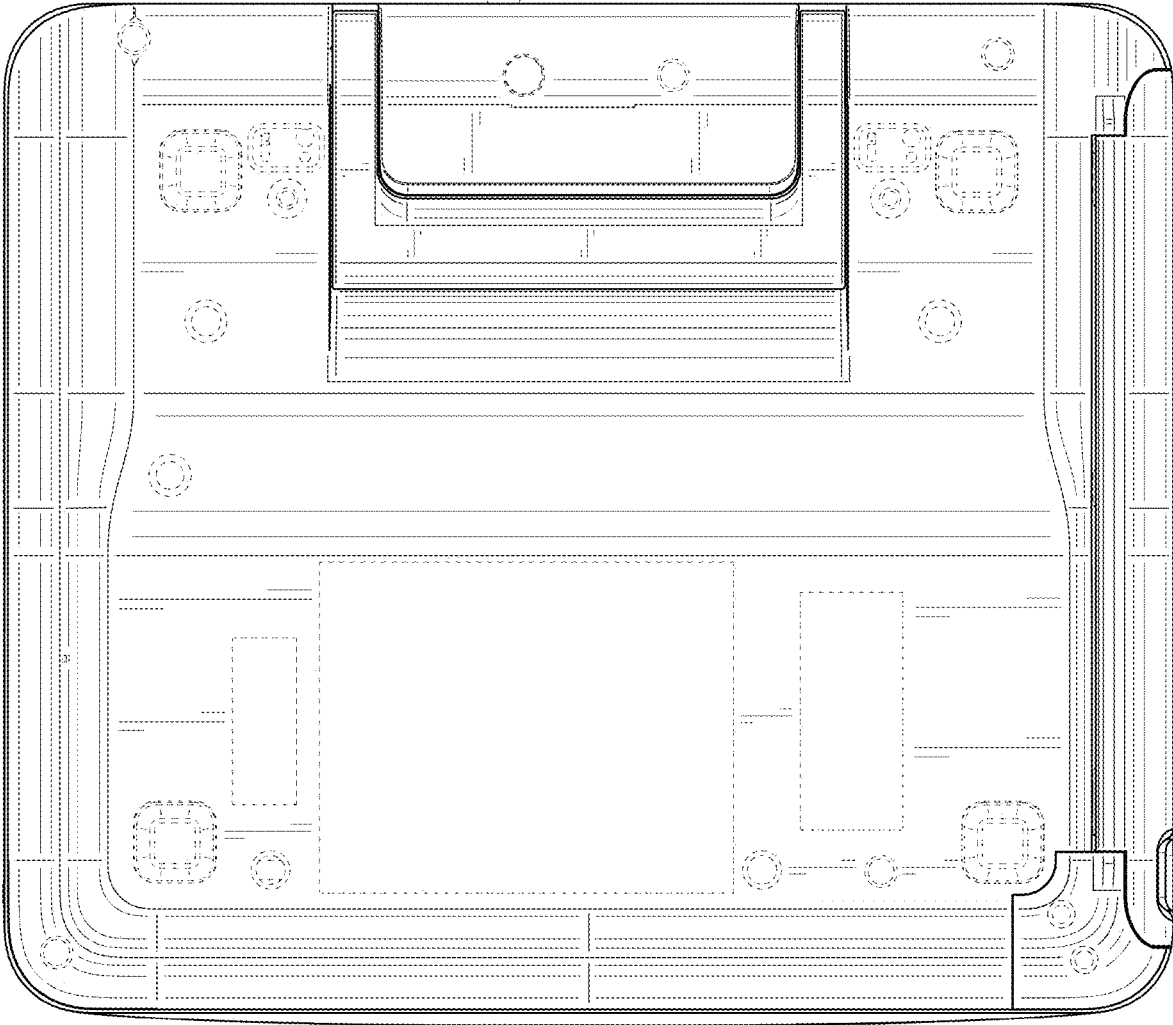


FIG. 6

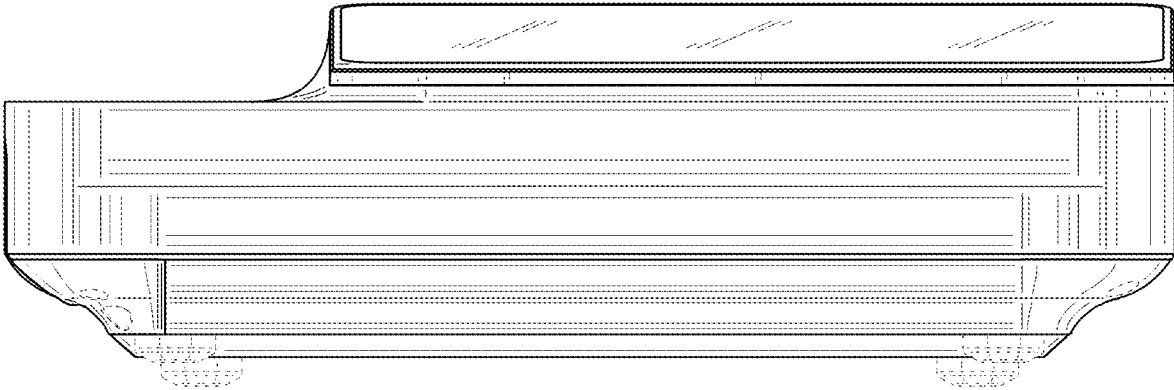


FIG. 7

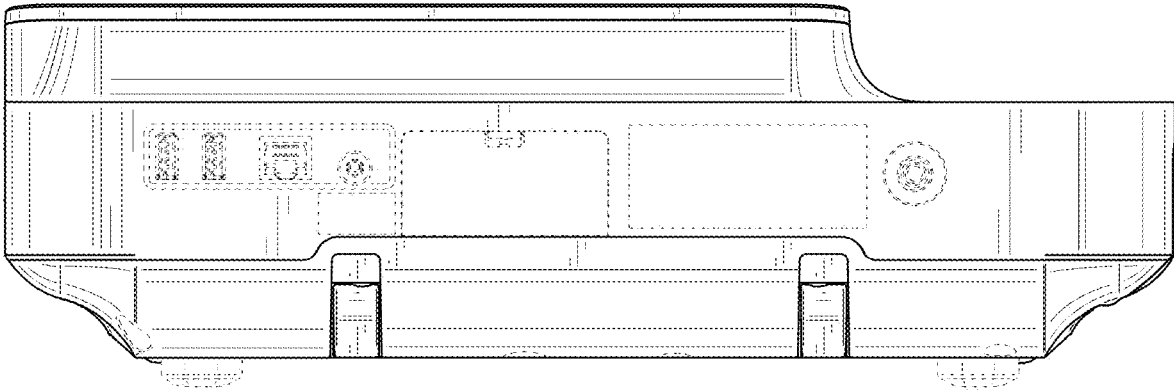


FIG. 8

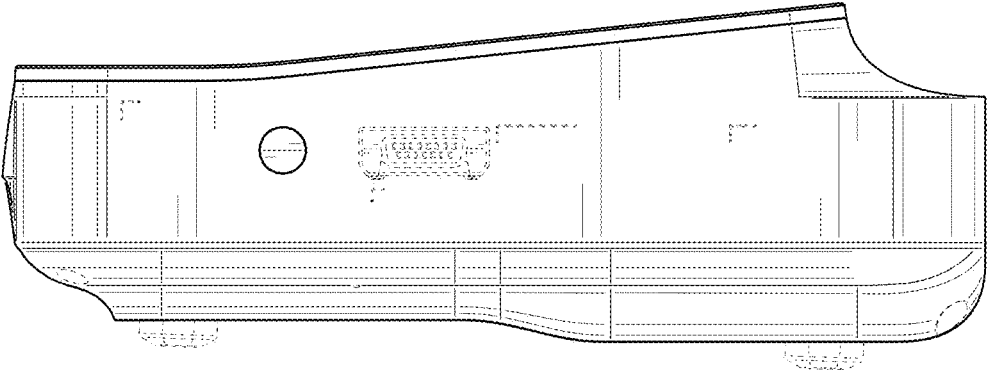


FIG. 9

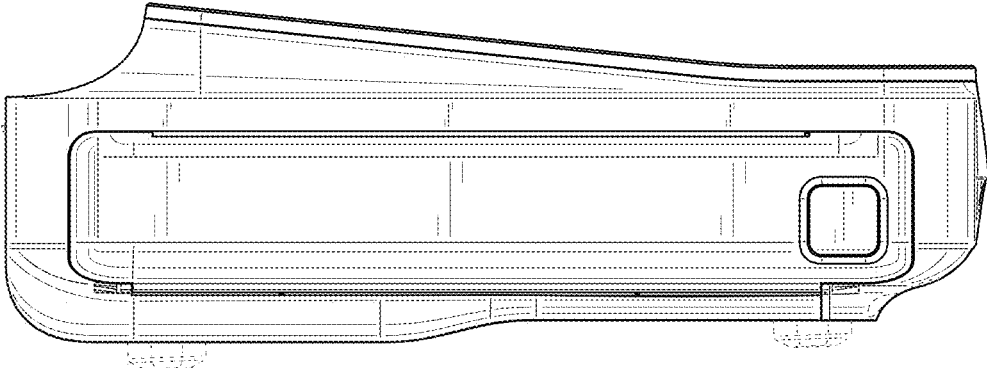


FIG. 10

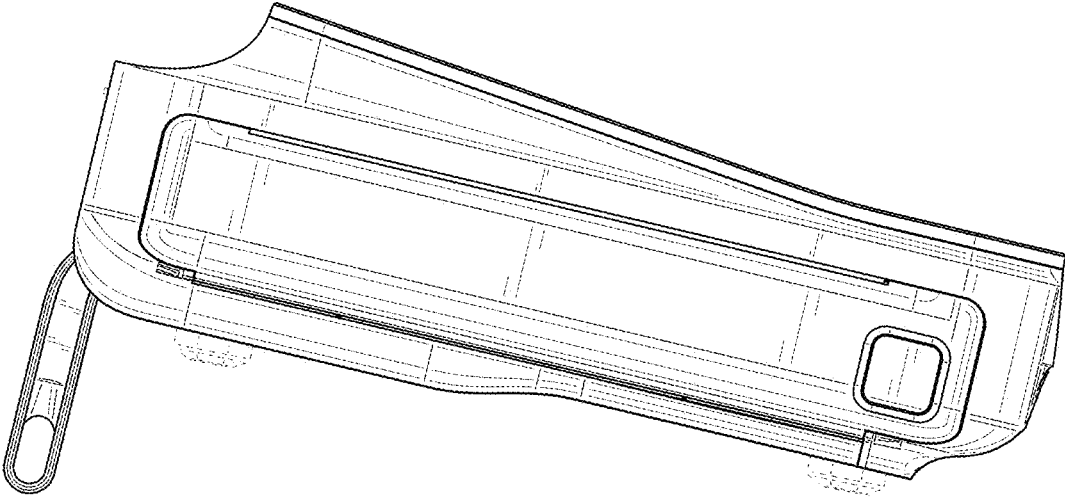


FIG. 11

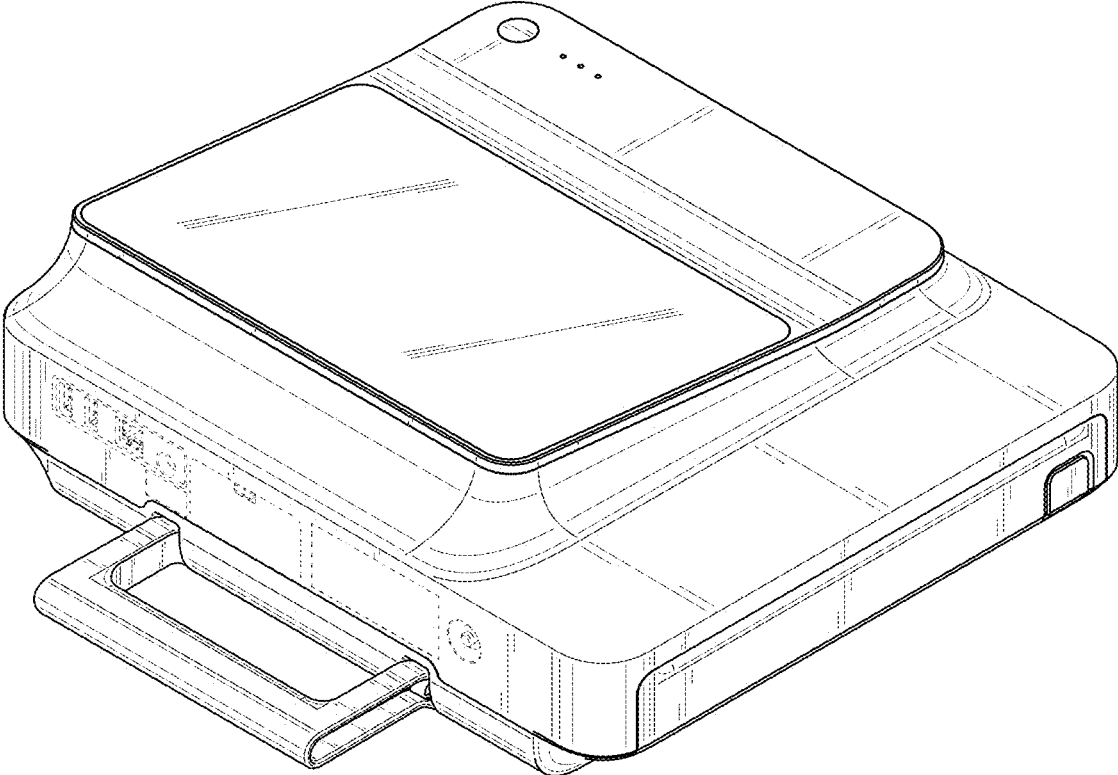


FIG. 12

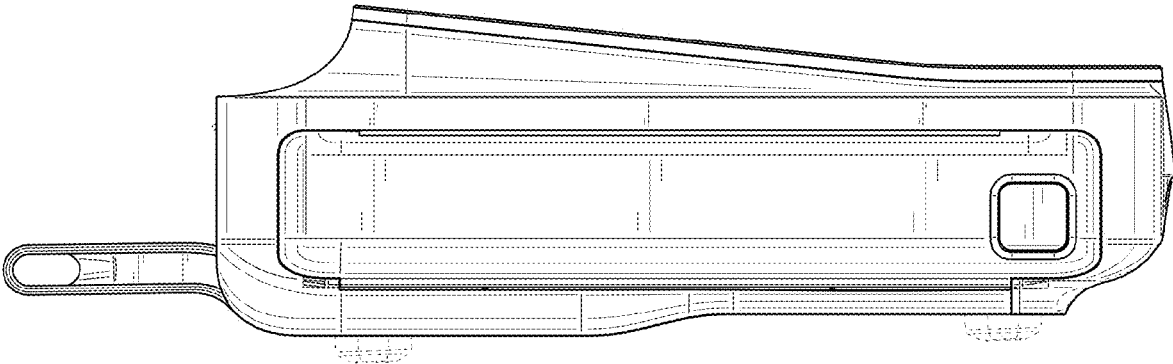


FIG. 13

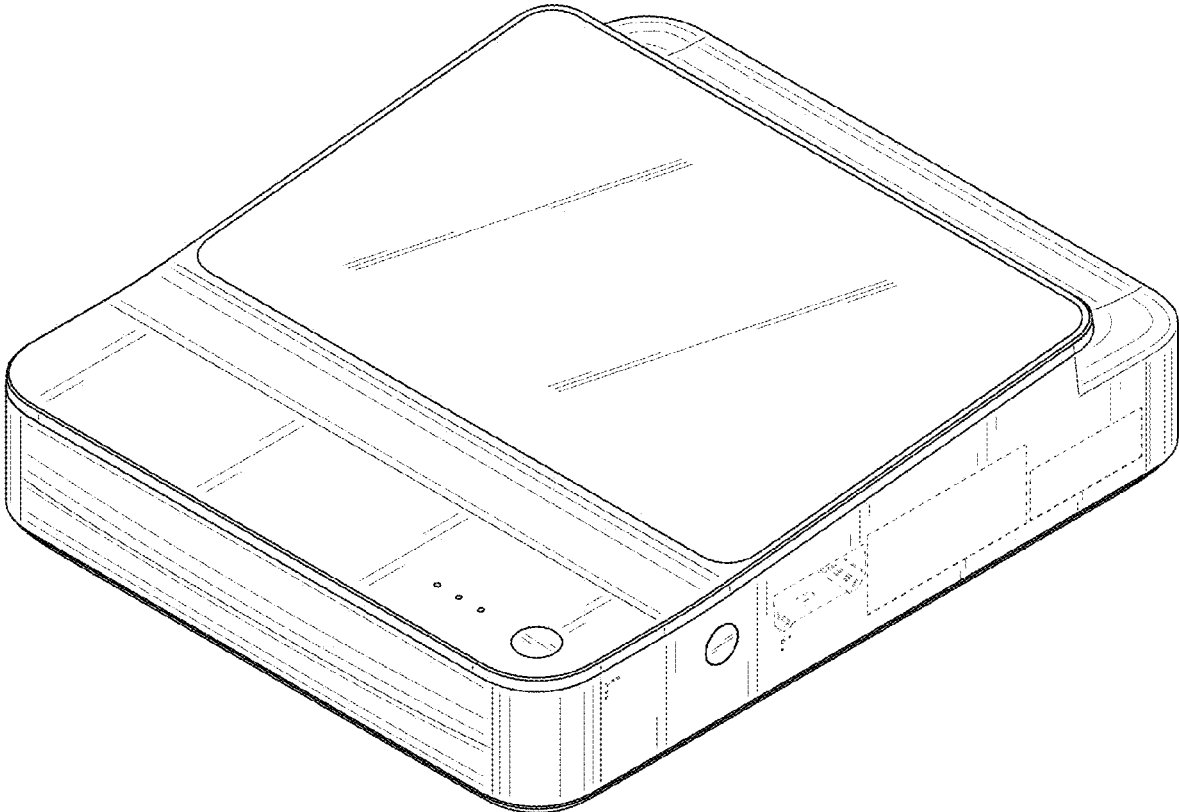


FIG. 14

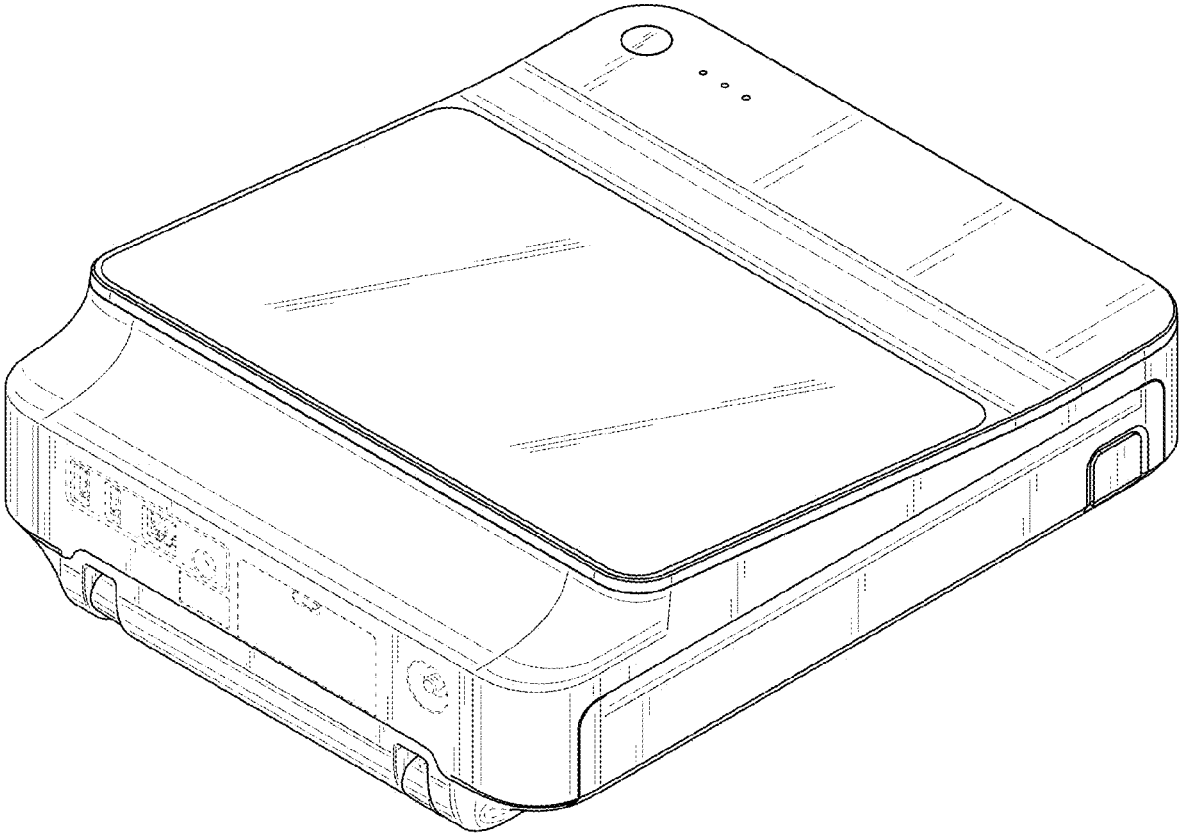


FIG. 15

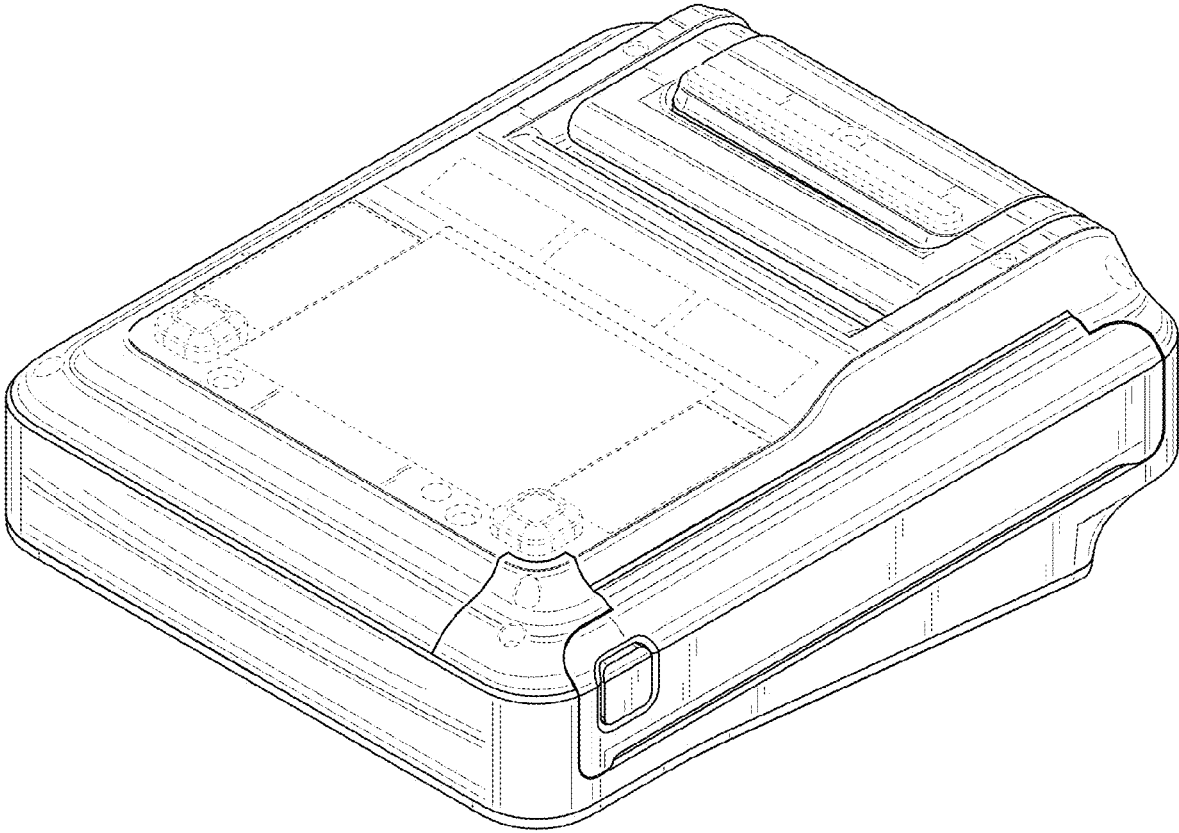


FIG. 16

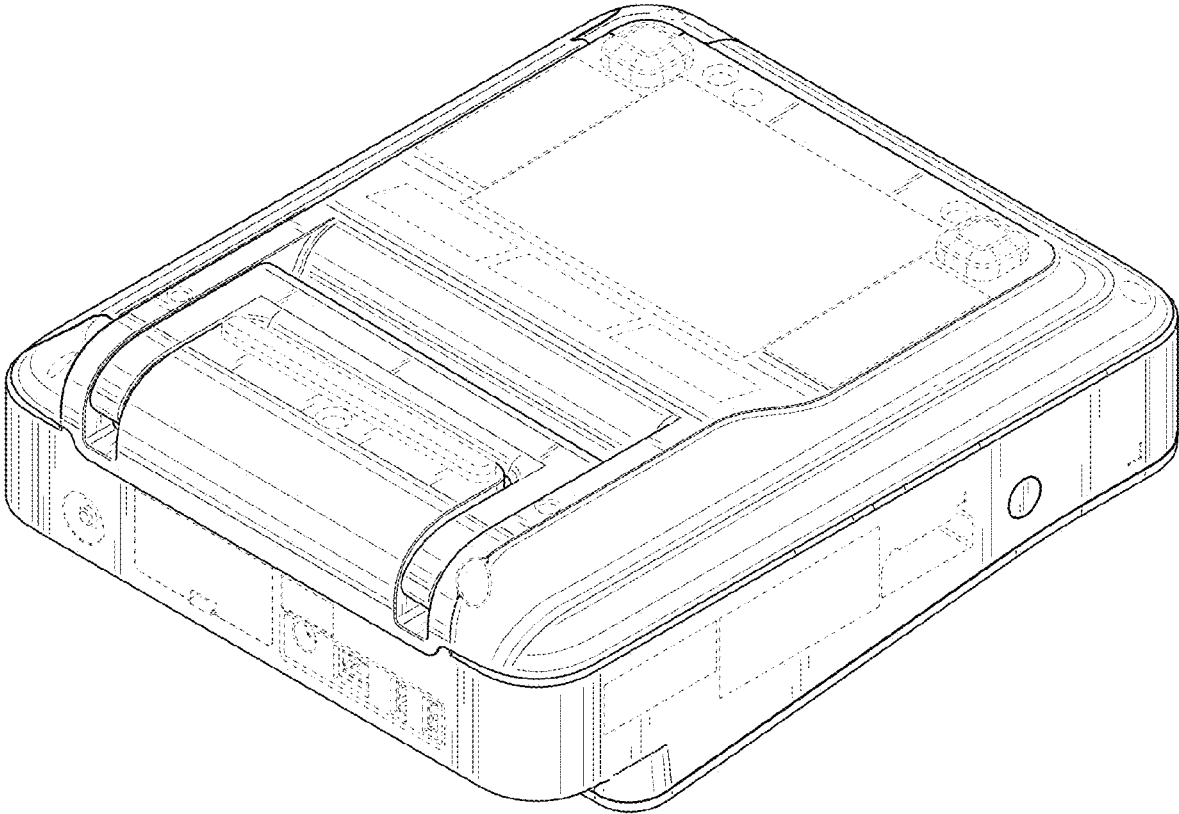


FIG. 17

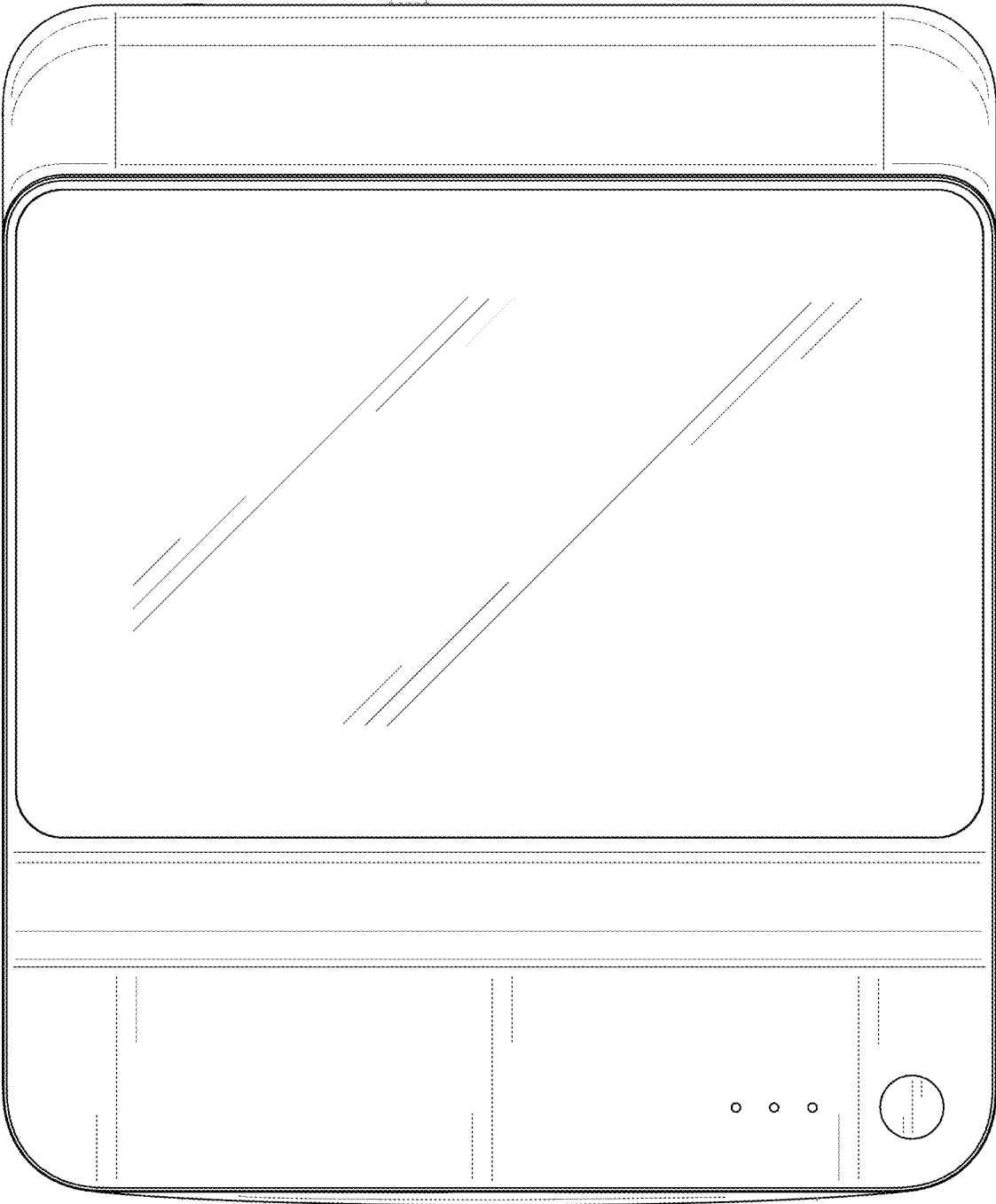


FIG. 18

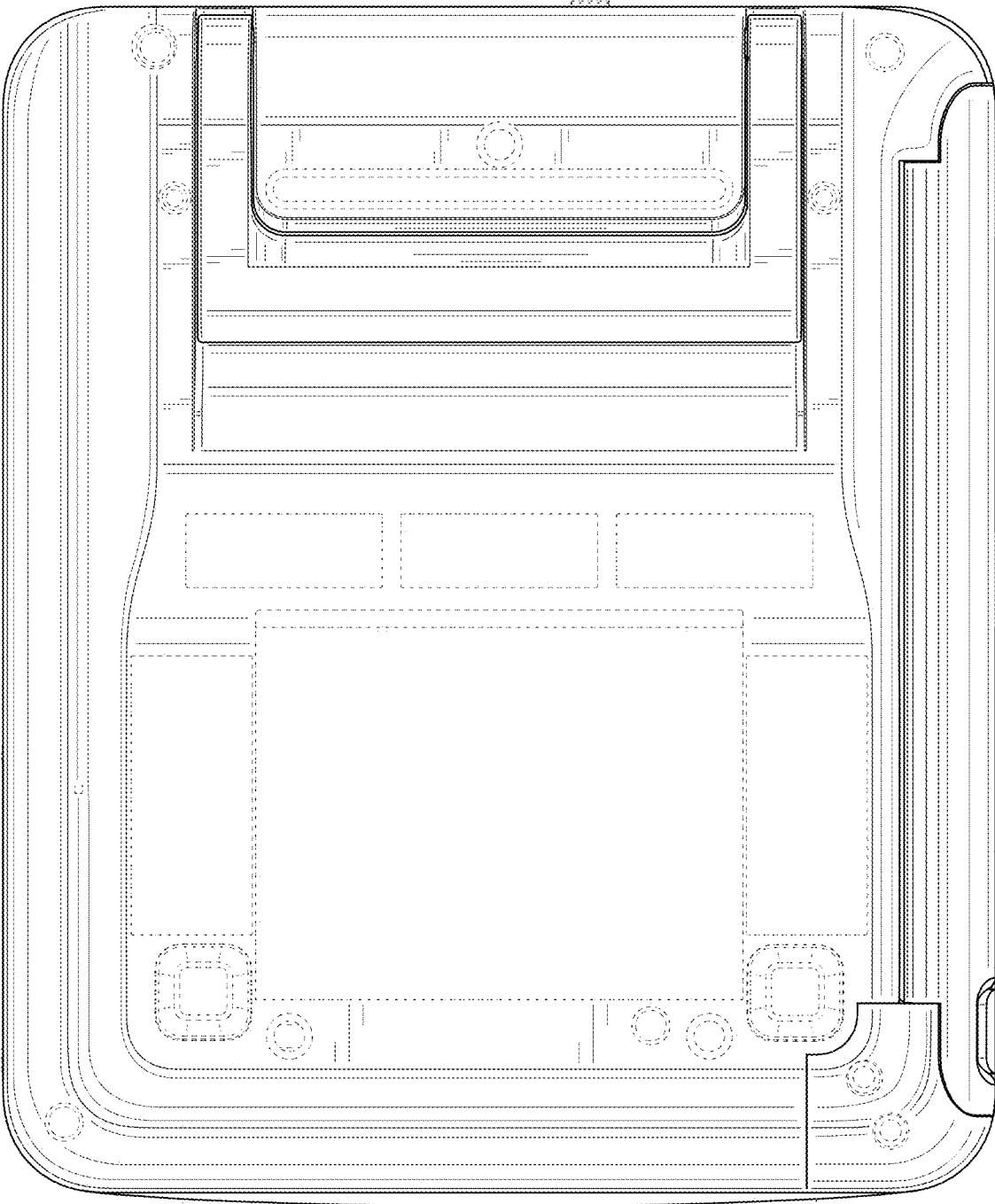


FIG. 19

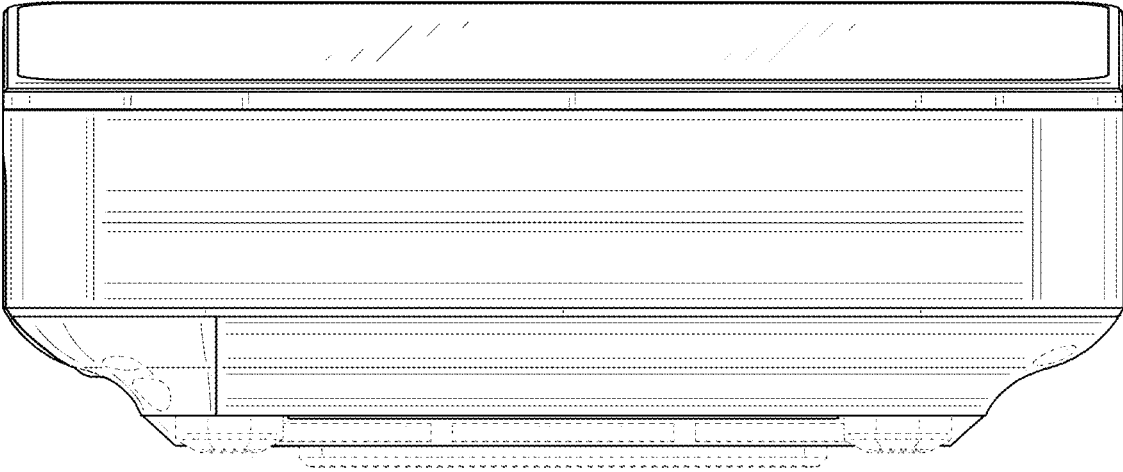


FIG. 20

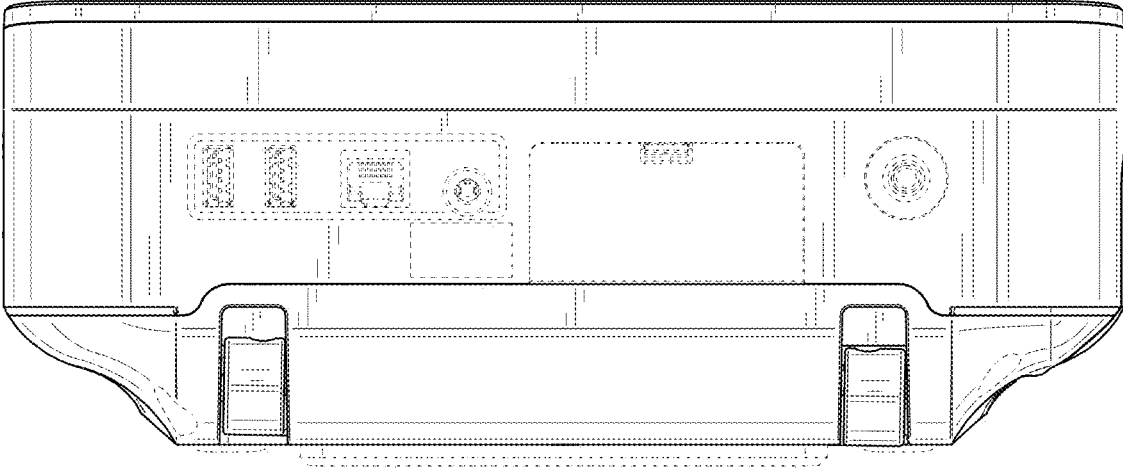


FIG. 21

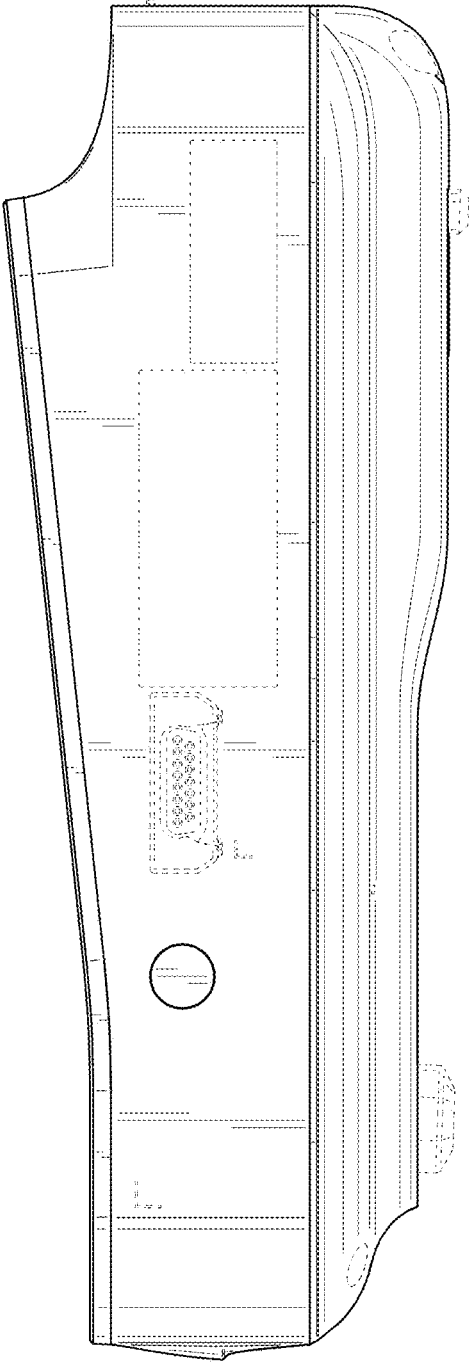


FIG. 22

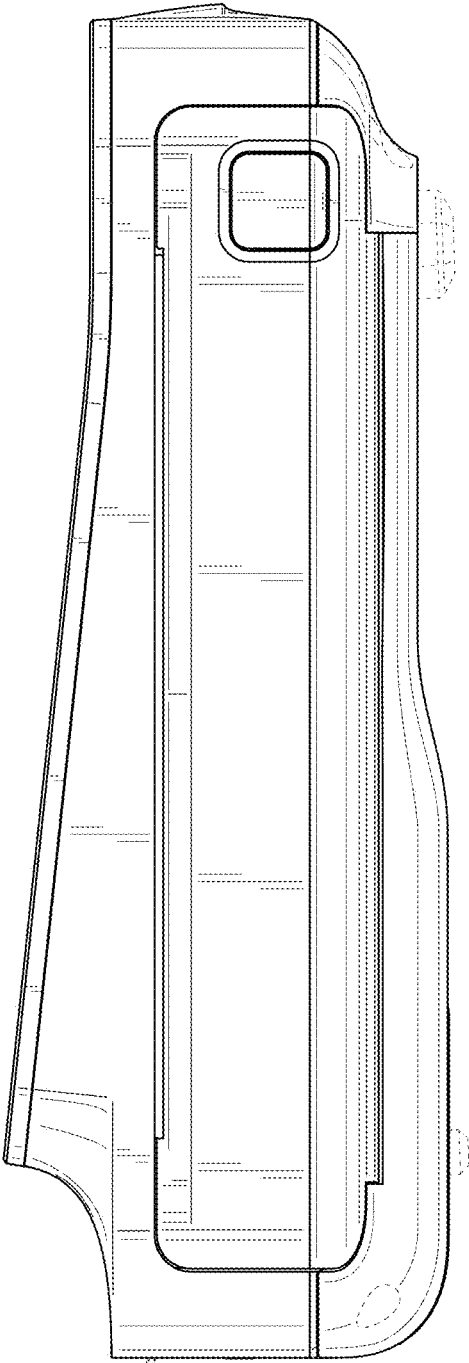


FIG. 23

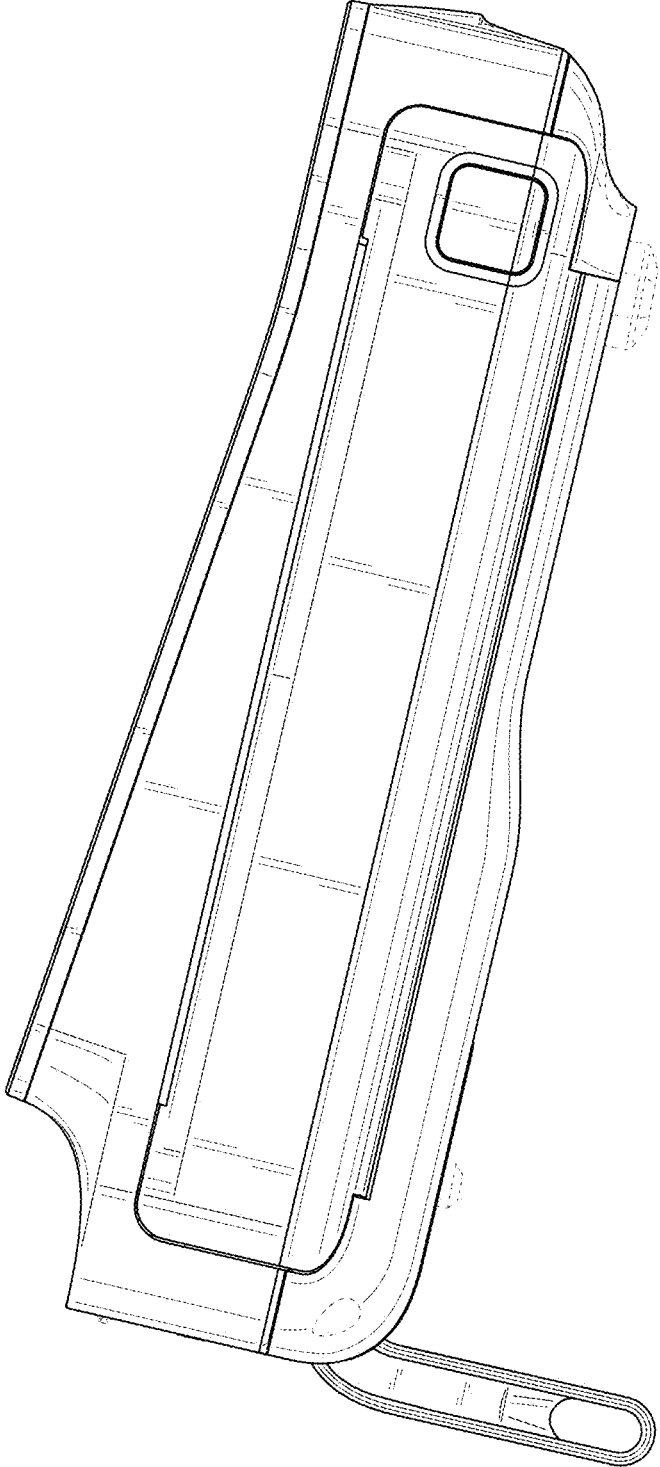


FIG. 24

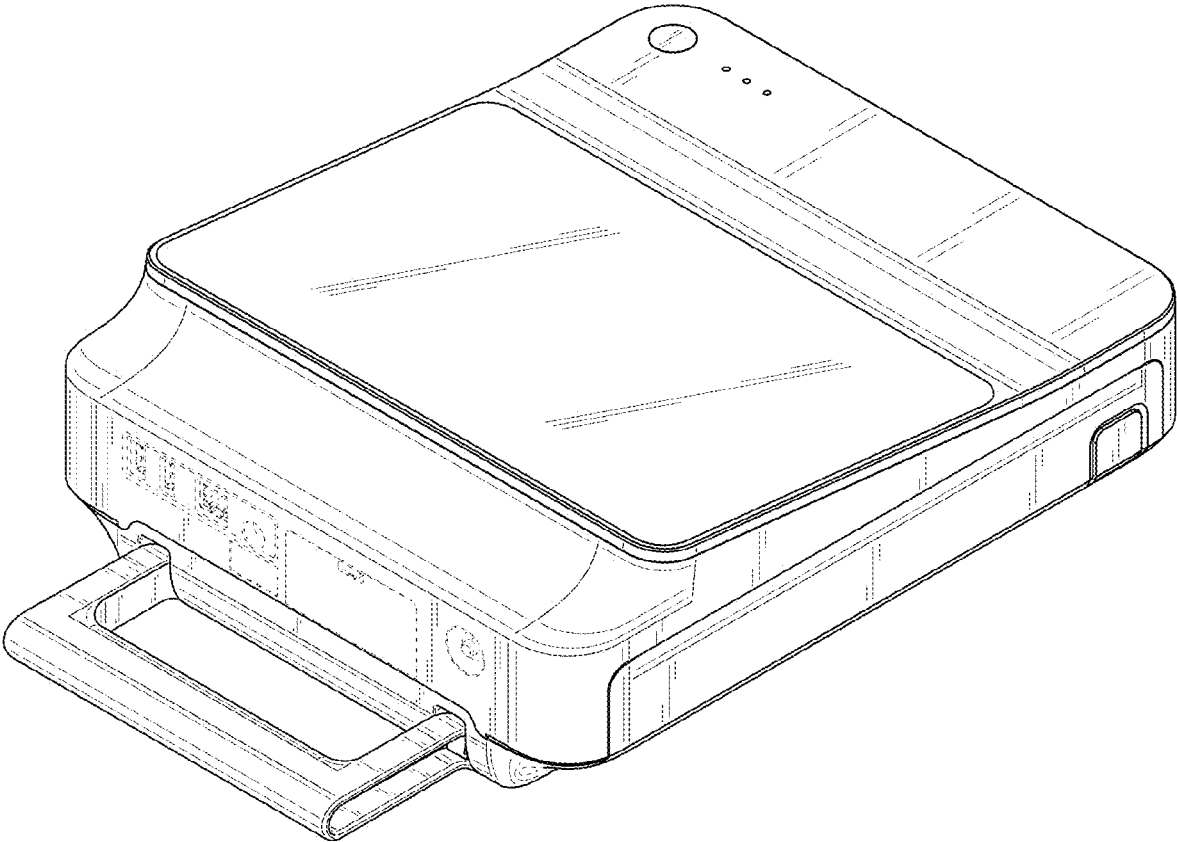


FIG. 25

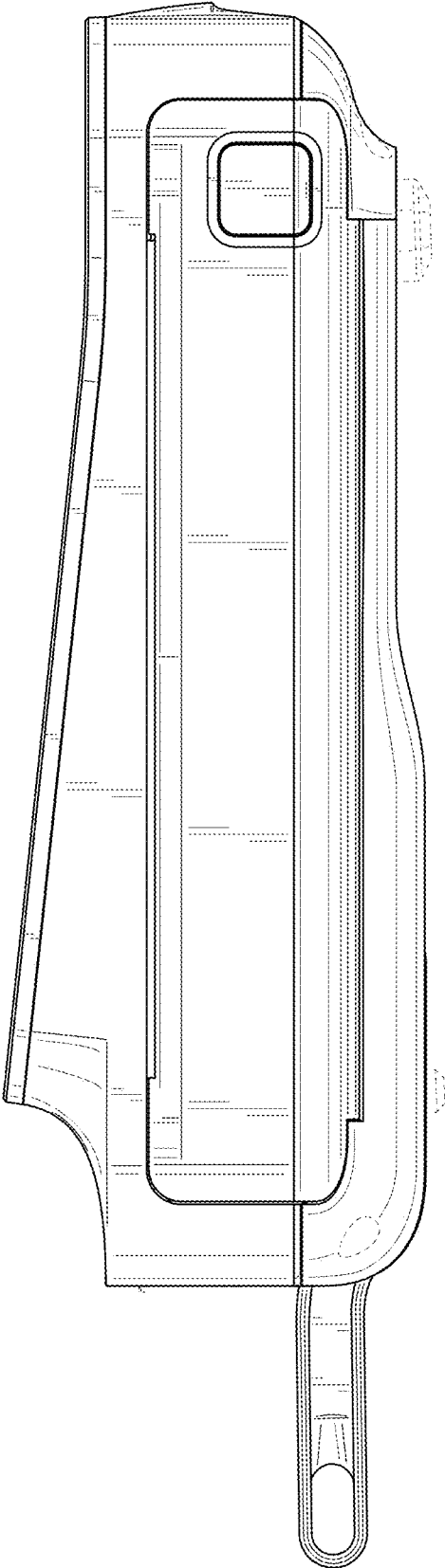


FIG. 26

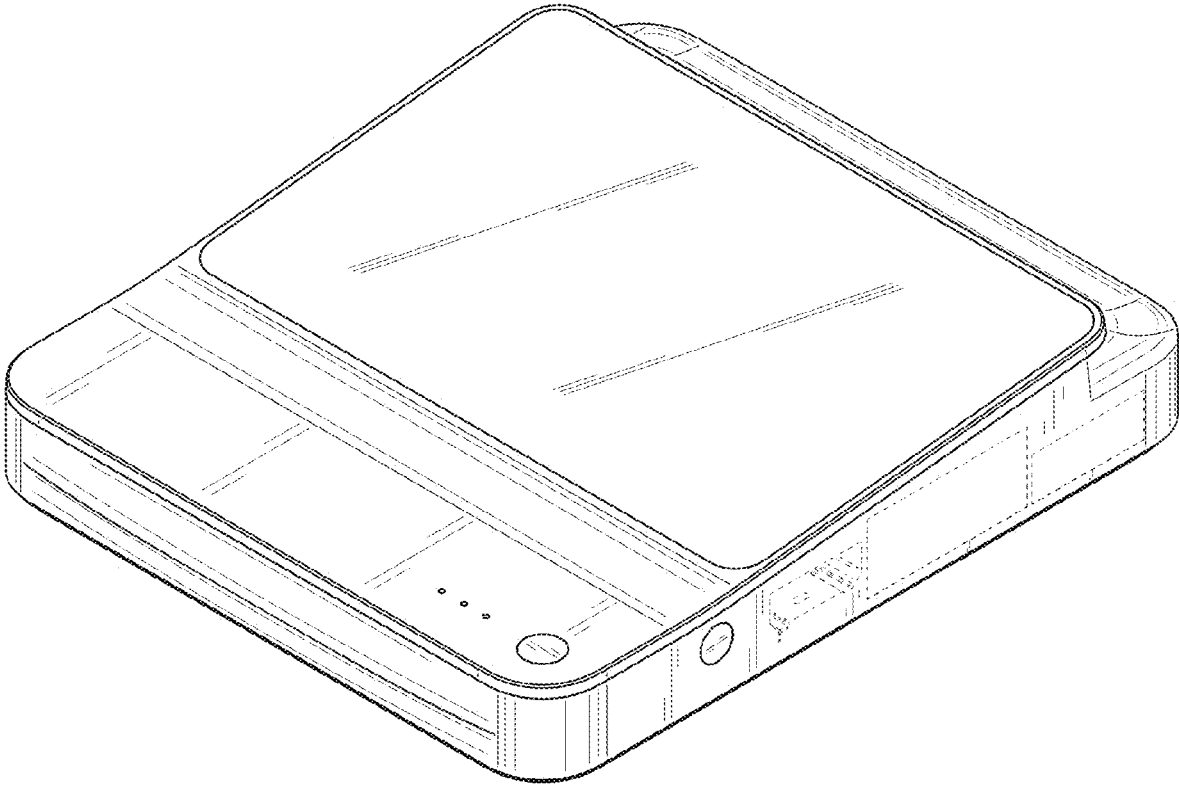


FIG. 27

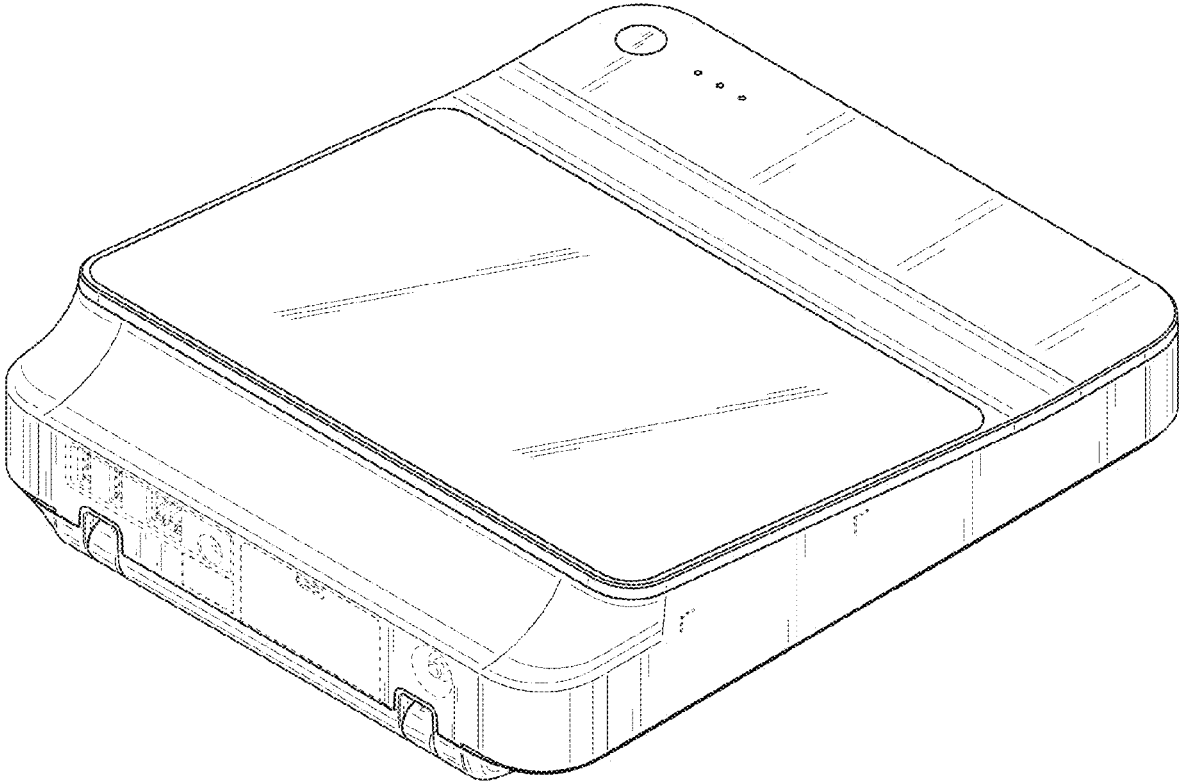


FIG. 28

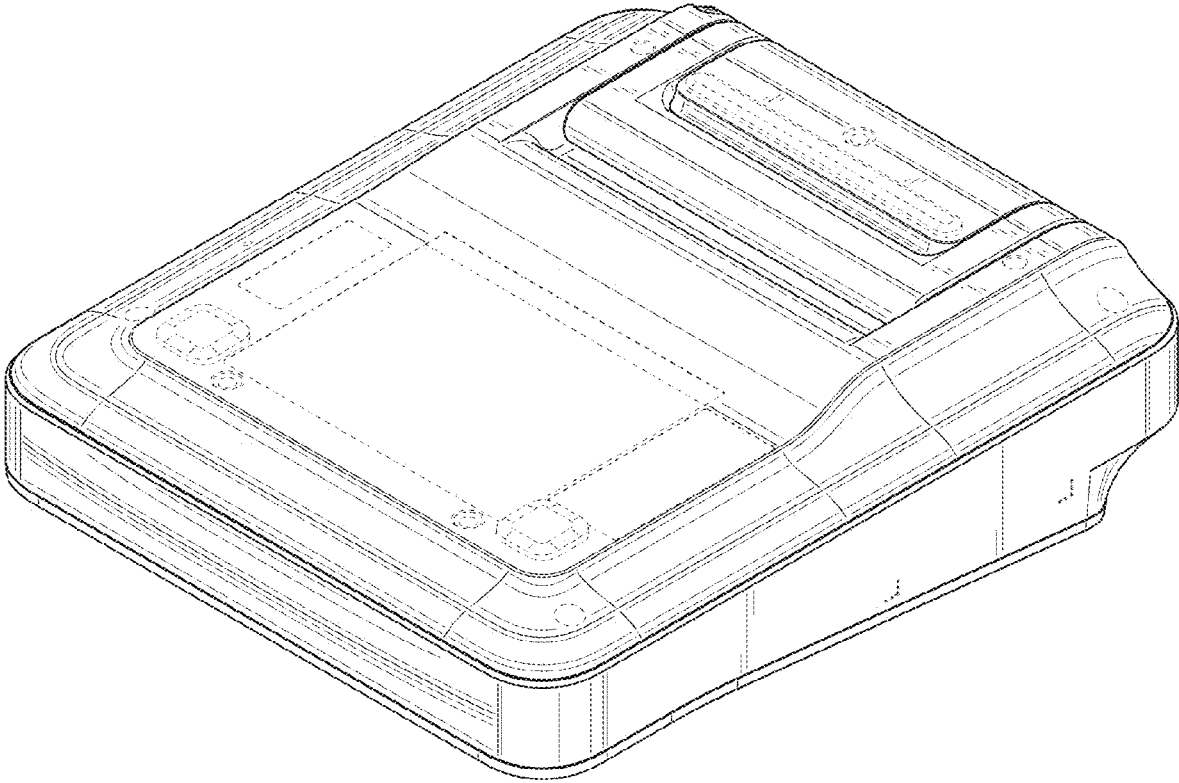


FIG. 29

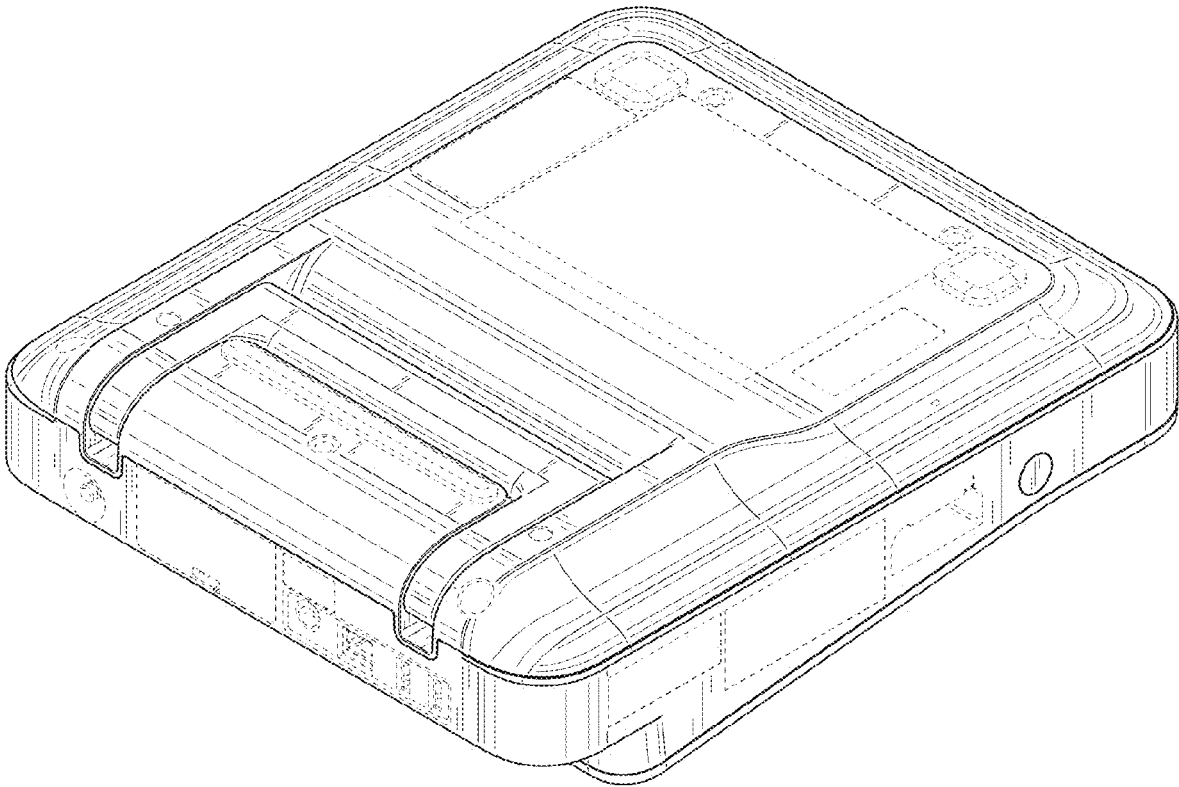


FIG. 30

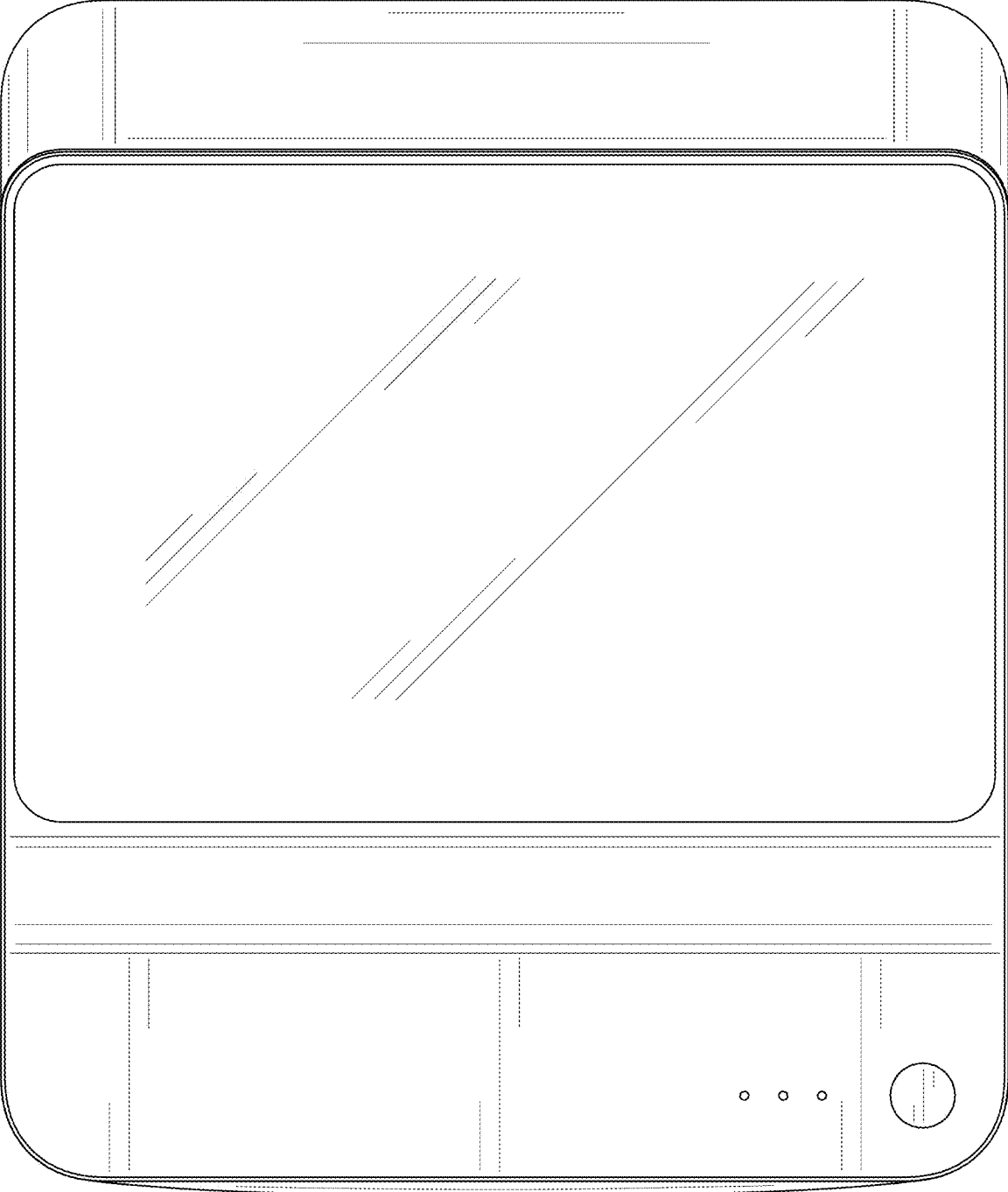


FIG. 31

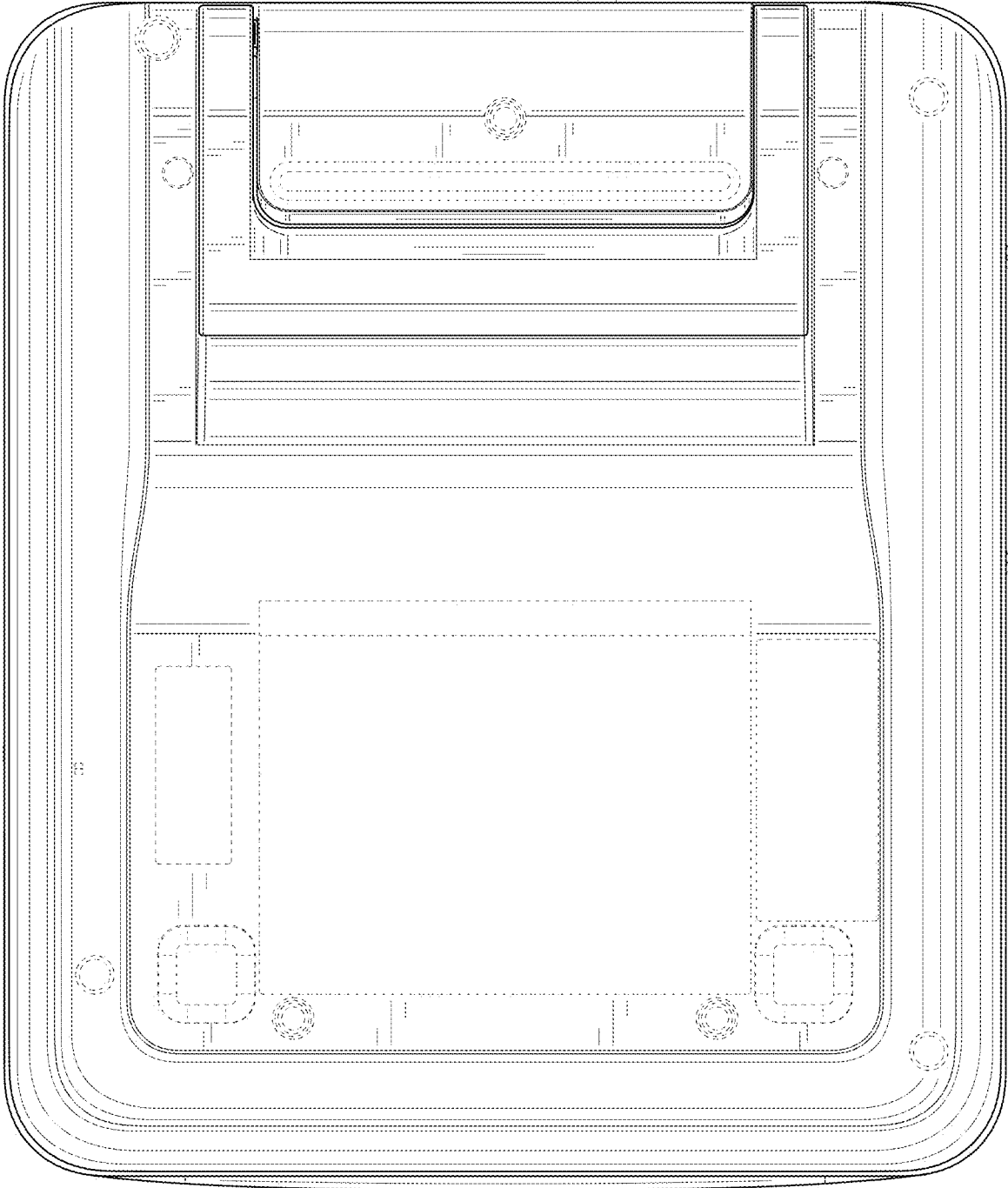


FIG. 32

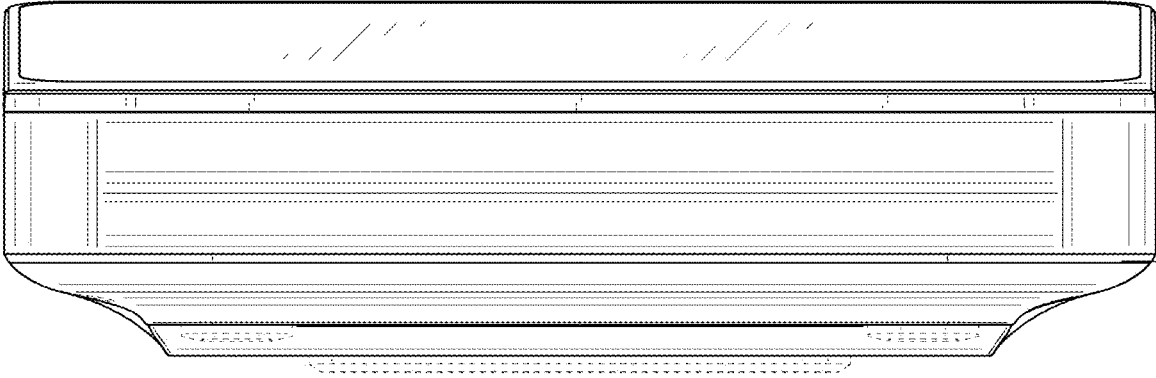


FIG. 33

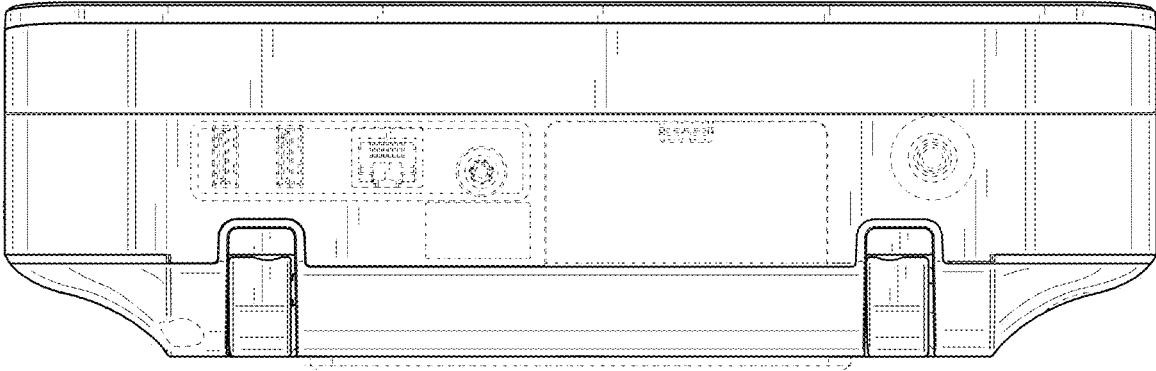


FIG. 34

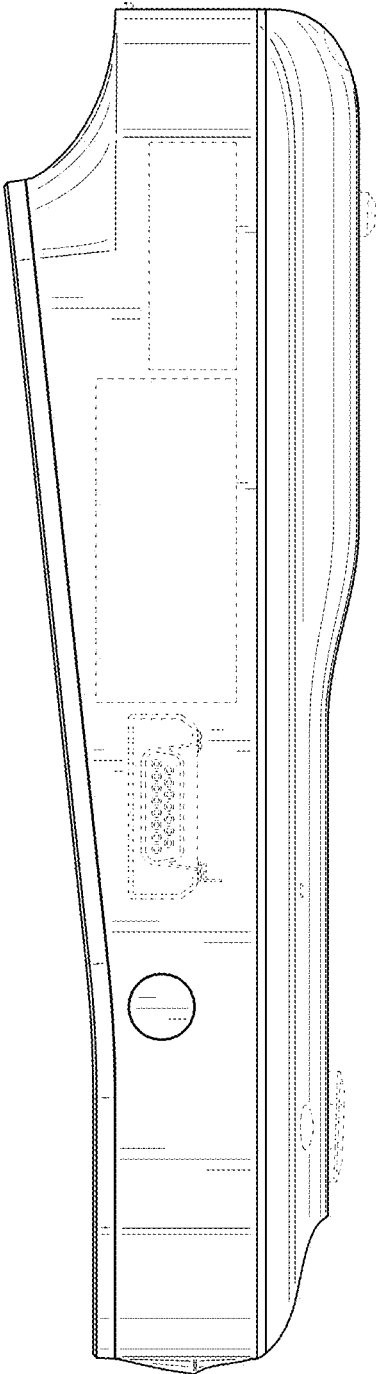


FIG. 35

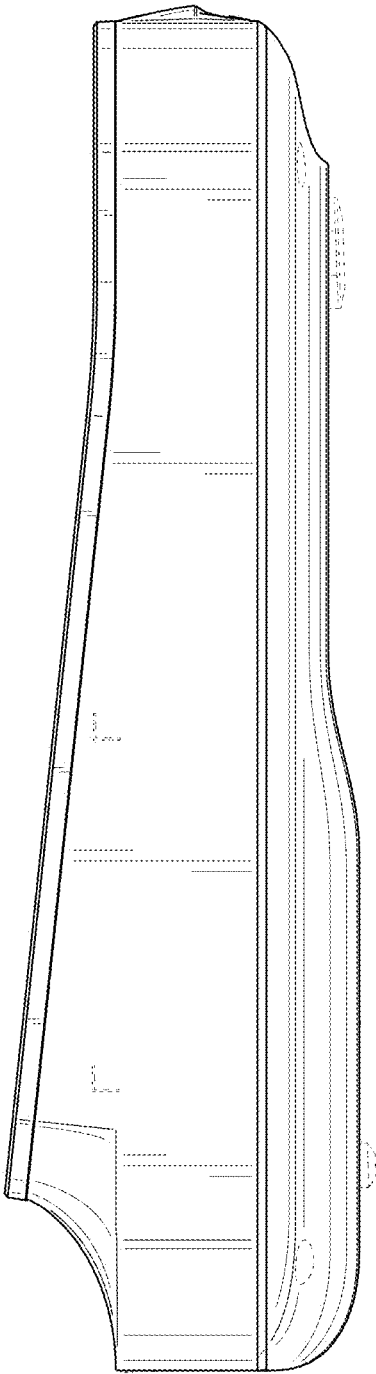


FIG. 36

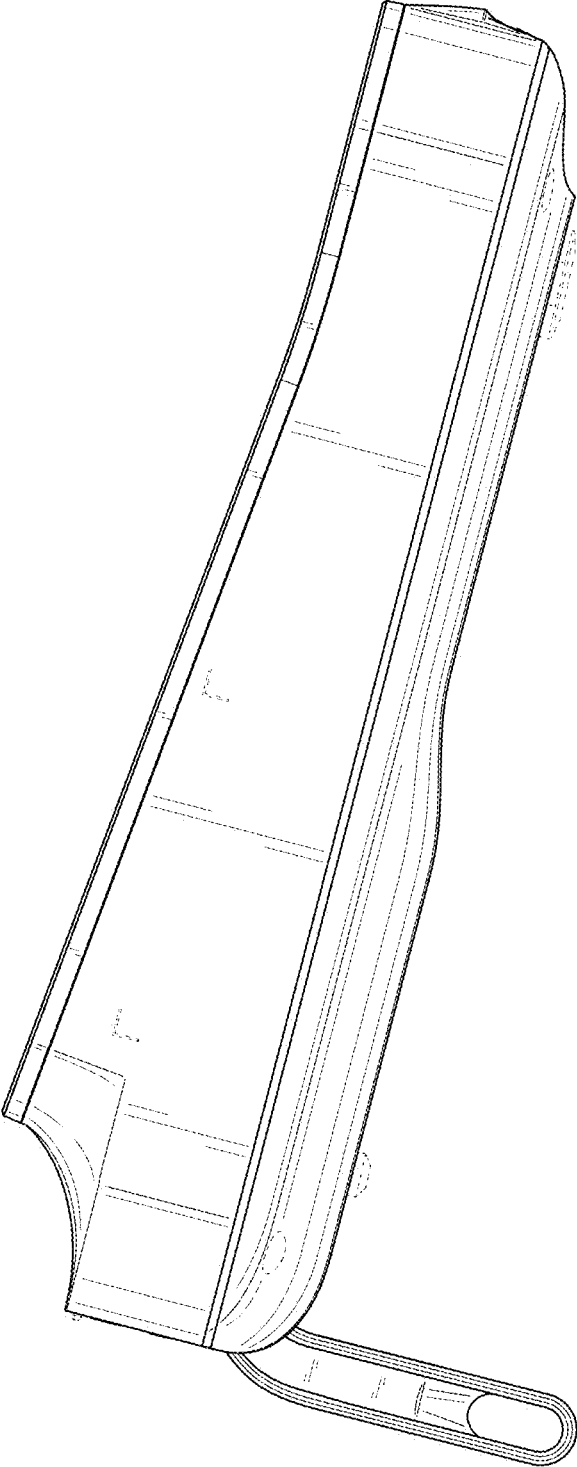


FIG. 37

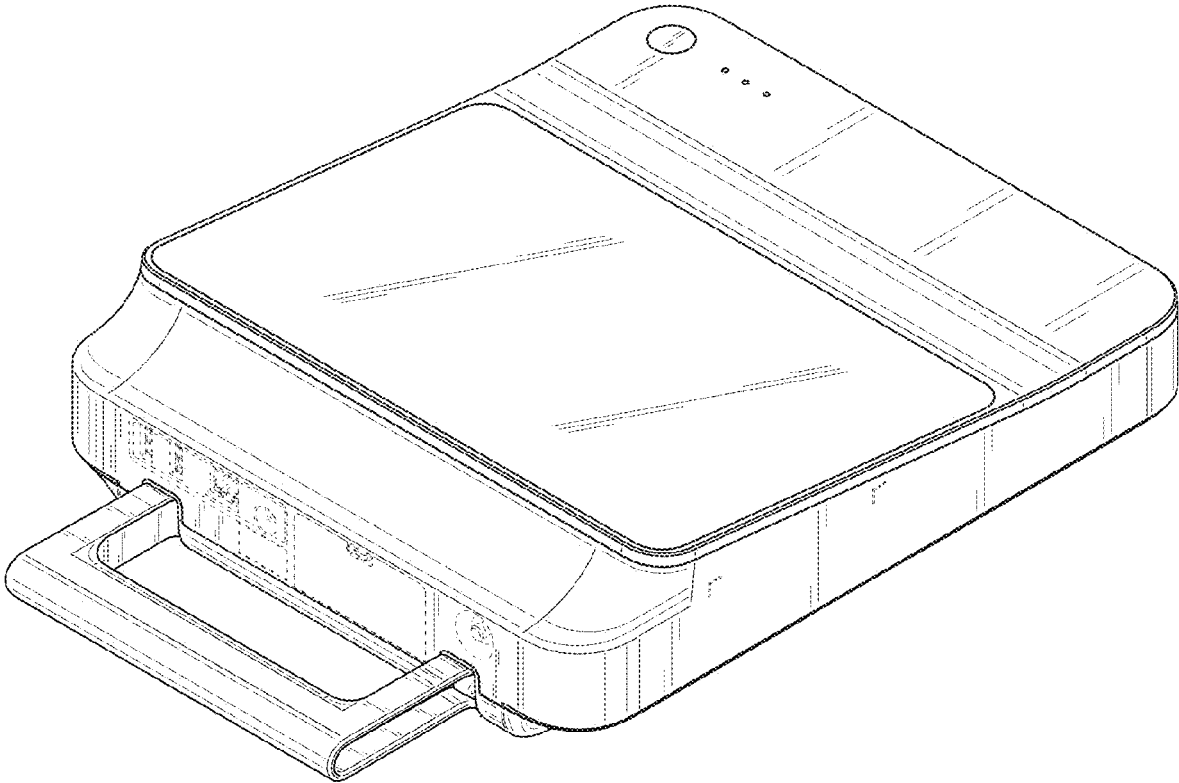


FIG. 38

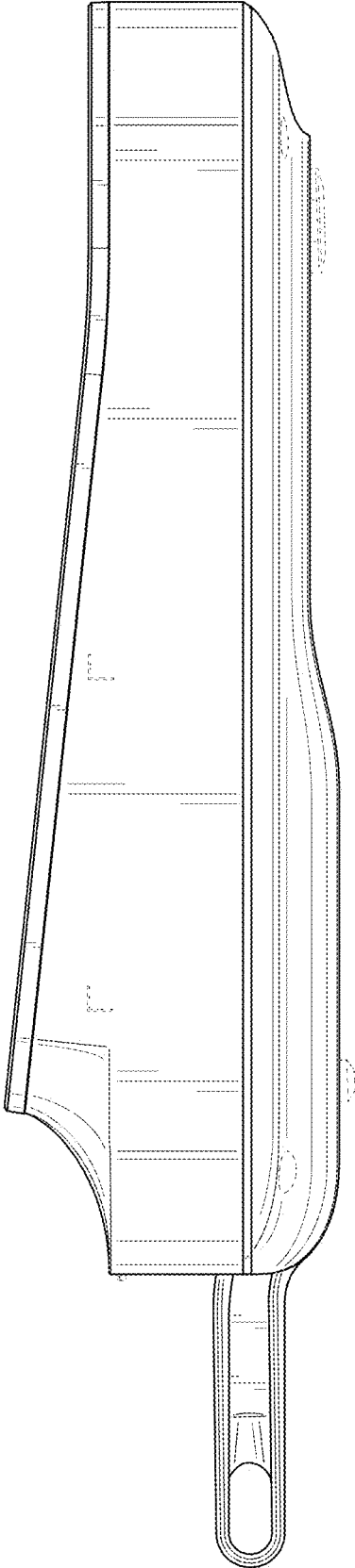


FIG. 39