



US00D732242S

(12) **United States Design Patent**
Miller et al.

(10) **Patent No.:** **US D732,242 S**

(45) **Date of Patent:** **** Jun. 16, 2015**

(54) **DISPOSABLE FACE SHIELD**

(71) Applicant: **TIDI Products, LLC**, Neenah, WI (US)

(72) Inventors: **Kurt Miller**, Neenah, WI (US); **Brian L. Wilt**, Appleton, WI (US)

(73) Assignee: **TIDI Products, LLC**, Neenah, WI (US)

(**) Term: **14 Years**

(21) Appl. No.: **29/482,840**

(22) Filed: **Feb. 21, 2014**

(51) **LOC (10) Cl.** **29-02**

(52) **U.S. Cl.**
USPC **D29/110**

(58) **Field of Classification Search**

USPC D29/100, 102, 104, 105, 106, 107, 108,
D29/109, 110, 122; 2/455, 410, 6.3, 6.4,
2/6.5, 6.7, 8.2, 424, 425, 9, 15, 426, 427,
2/206, 909

See application file for complete search history.

(56) **References Cited**

U.S. PATENT DOCUMENTS

797,293 A *	8/1905	Lang et al.	2/12
1,337,036 A	4/1920	Bergmann	
2,342,982 A	2/1944	Stern et al.	
2,758,307 A *	8/1956	Treiber	2/9
2,774,970 A	12/1956	Rudolf	
2,798,222 A *	7/1957	Evans et al.	2/9
2,829,374 A	4/1958	Malcom, Jr.	
2,963,708 A *	12/1960	Herbine et al.	2/8.1
3,041,624 A *	7/1962	Cutrona, Jr.	2/11
D206,620 S *	1/1967	Hoffman	D29/110
3,295,143 A *	1/1967	Hoffman	2/12
D210,002 S *	1/1968	Zahn	D29/110
3,369,255 A *	2/1968	Bolle	2/9
3,380,073 A *	4/1968	McLaughlin	2/8.1
3,517,392 A *	6/1970	Hodge et al.	2/8.3
3,686,690 A	8/1972	Webb	
D228,700 S *	10/1973	Gager	D29/110

4,825,878 A	5/1989	Kuntz et al.	
4,852,185 A	8/1989	Olson	
4,852,186 A *	8/1989	Landis	2/9
4,853,974 A	8/1989	Olim	
4,864,653 A	9/1989	Landis	
4,867,178 A	9/1989	Smith	
4,872,465 A	10/1989	Kuntz et al.	
4,884,296 A	12/1989	Nix, Jr.	
D306,363 S *	2/1990	Stackhouse et al.	D29/110

(Continued)

Primary Examiner — Elizabeth J Oswecki

(74) *Attorney, Agent, or Firm* — Boyle Fredrickson, S.C.

(57) **CLAIM**

The ornamental design for a disposable face shield, as shown and described.

DESCRIPTION

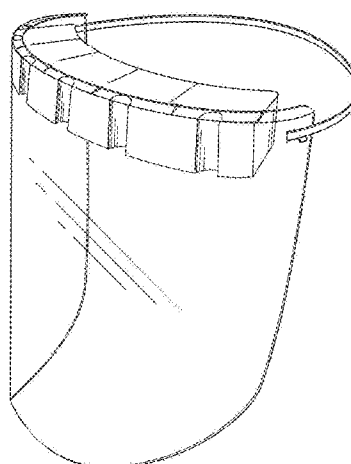
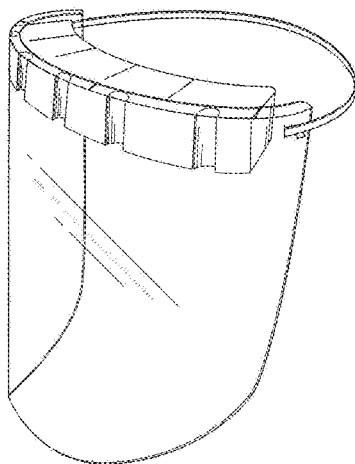
FIG. 1 is an isometric view of a first embodiment of a disposable face shield showing our new design; FIG. 2 is a side isometric view thereof shown in a used condition with a human head shown in broken lines; FIG. 3 is a top plan view thereof; FIG. 4 is a front elevation view thereof; FIG. 5 is a rear elevation view thereof; FIG. 6 is an enlarged portion view taken along line 6-6 of FIG. 4;

FIG. 7 is an isometric view of a second embodiment of a disposable face shield showing our new design; FIG. 8 is a side isometric view thereof shown in a used condition with a human head shown in broken lines; FIG. 9 is a top plan view thereof; FIG. 10 is a front elevation view thereof; FIG. 11 is a rear elevation view thereof; and, FIG. 12 is an enlarged portion view taken along line 12-12 of FIG. 10.

The broken lines shown in the drawings form no part of the claimed design.

All surfaces not shown form no part of the claimed design.

1 Claim, 8 Drawing Sheets



(56)

References Cited

U.S. PATENT DOCUMENTS

4,920,576 A 5/1990 Landis
 4,924,526 A 5/1990 Parisenti et al.
 D308,582 S 6/1990 Salce et al.
 4,944,312 A 7/1990 Smith
 4,945,573 A * 8/1990 Landis 2/9
 4,945,574 A * 8/1990 Dagher 2/9
 D311,262 S * 10/1990 Curry D29/110
 D311,782 S 10/1990 Salce et al.
 D311,978 S 11/1990 Metcalfe
 D312,331 S 11/1990 Poettgen
 4,986,282 A 1/1991 Stackhouse et al.
 D318,147 S 7/1991 Russell
 D321,067 S 10/1991 Salce et al.
 D321,268 S 10/1991 Nix, Jr.
 D321,958 S 11/1991 Salce et al.
 5,088,114 A 2/1992 Salce et al.
 5,113,528 A 5/1992 Burke, Jr. et al.
 D326,932 S * 6/1992 Millar D29/110
 D335,723 S * 5/1993 Pawliszyn D29/110
 5,206,956 A 5/1993 Olson
 5,243,711 A 9/1993 Graham
 5,303,423 A 4/1994 Gazzara et al.
 D347,909 S * 6/1994 Gazzara et al. D29/110
 D349,177 S * 7/1994 Russell D29/110
 D349,178 S * 7/1994 Russell D29/110
 D349,362 S * 8/1994 Russell D29/110
 5,337,419 A 8/1994 Russell
 D354,588 S * 1/1995 Russell D29/110
 D354,589 S * 1/1995 Russell D29/110
 D358,684 S 5/1995 Salce
 D361,160 S * 8/1995 Russell D29/110
 5,440,760 A 8/1995 Highsmith

D362,086 S * 9/1995 Russell D29/110
 5,469,229 A 11/1995 Greenbaum
 5,471,679 A 12/1995 Paoluccio
 D366,540 S * 1/1996 Elias D29/110
 D374,951 S * 10/1996 Machson D29/110
 D375,583 S 11/1996 Landis et al.
 5,584,078 A 12/1996 Saboory
 5,600,870 A 2/1997 Fields et al.
 5,692,522 A 12/1997 Landis
 5,694,925 A 12/1997 Reese et al.
 5,699,792 A 12/1997 Reese et al.
 5,704,349 A 1/1998 Hubbard et al.
 5,765,223 A 6/1998 McCausland
 D404,848 S * 1/1999 Banuchi D29/110
 D404,849 S 1/1999 Desy
 5,862,530 A 1/1999 Shillington
 5,970,514 A 10/1999 Wang-Lee
 5,983,390 A 11/1999 Desy
 D418,256 S * 12/1999 Caruana D29/110
 6,016,808 A 1/2000 Landis
 6,055,982 A 5/2000 Brunson et al.
 6,079,980 A 6/2000 Durand
 D458,713 S * 6/2002 Cheng D29/110
 6,564,804 B2 5/2003 Salatka et al.
 6,718,981 B2 4/2004 Cardarelli
 6,996,846 B1 2/2006 Karapetyan
 D539,485 S * 3/2007 Huh D29/110
 7,272,860 B2 9/2007 Vega et al.
 D559,442 S * 1/2008 Regelbrugge et al. D28/9
 D568,545 S * 5/2008 Schaffner D29/110
 7,490,359 B2 2/2009 Landis
 7,725,949 B2 6/2010 Landis
 8,291,512 B2 10/2012 Stoll
 2012/0047614 A1 3/2012 Choi

* cited by examiner

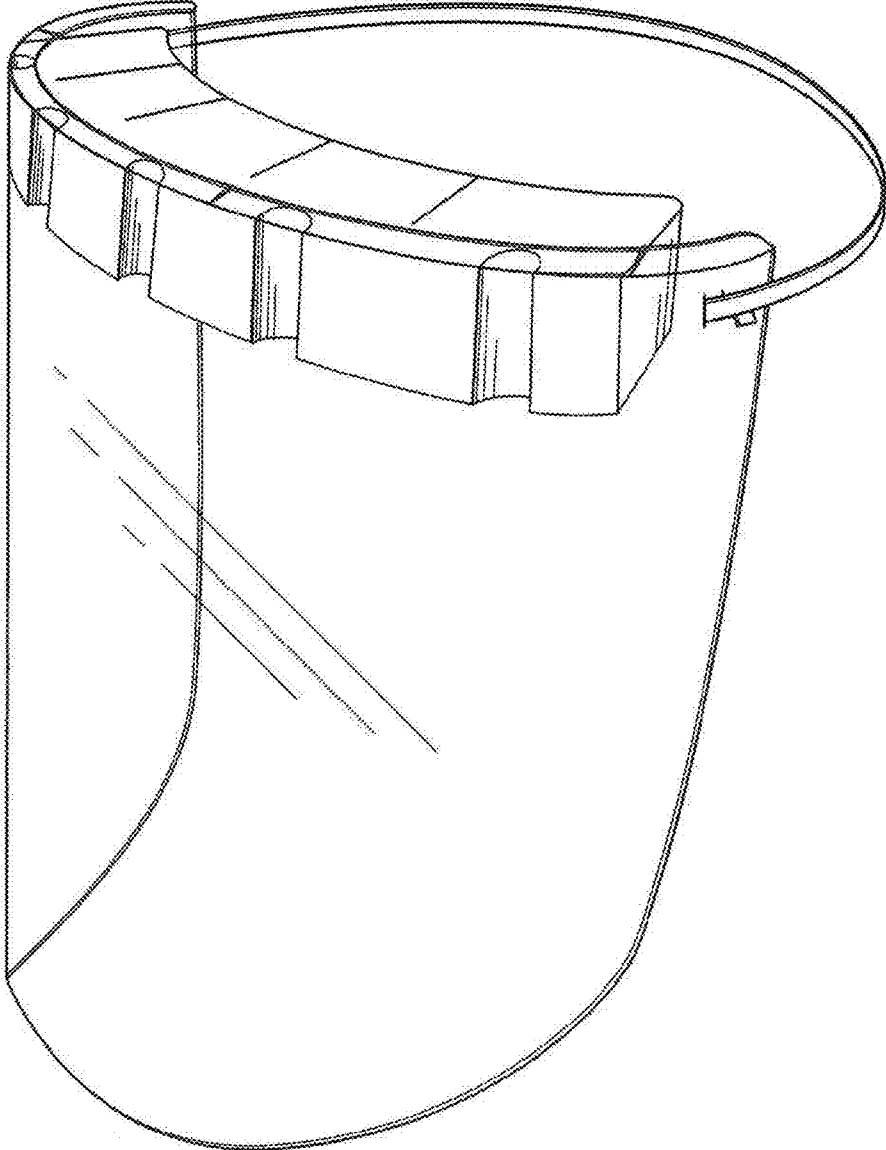


FIG. 1

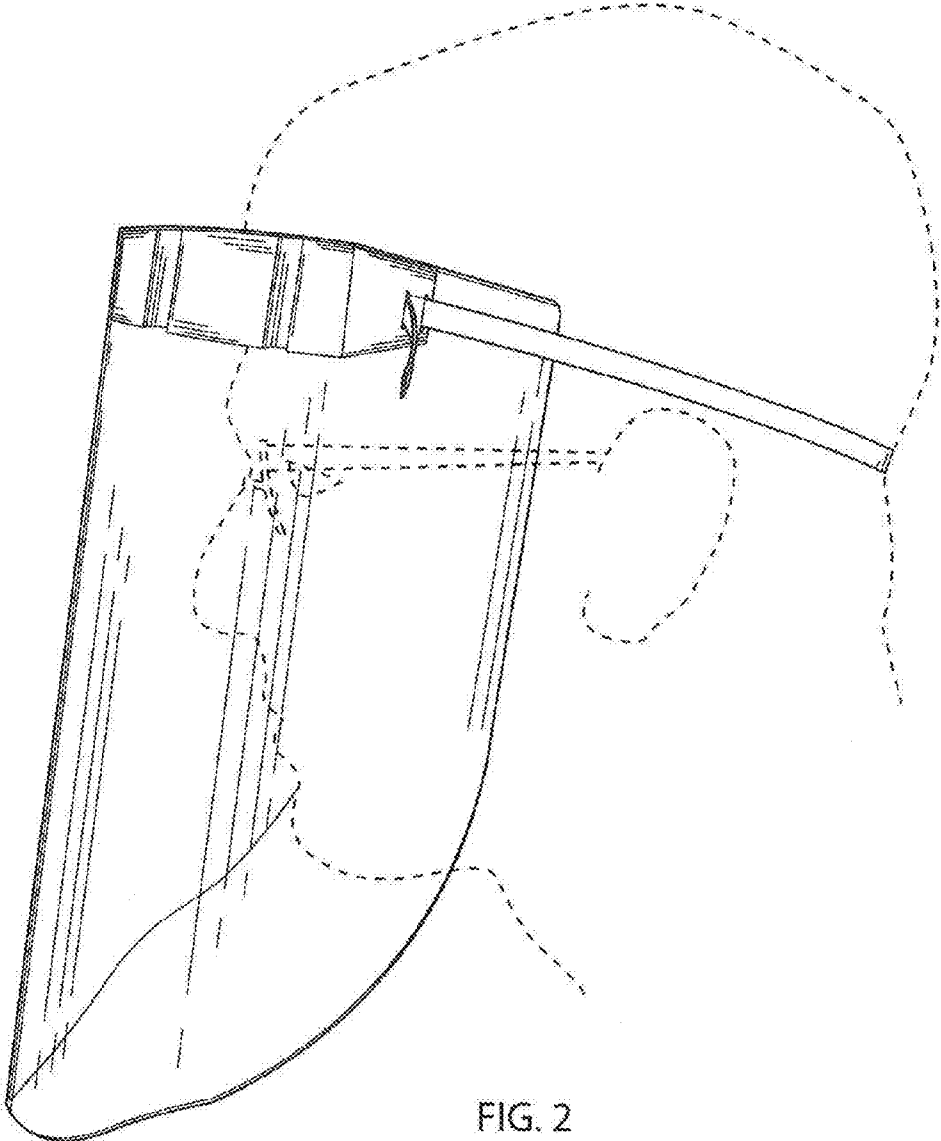


FIG. 2

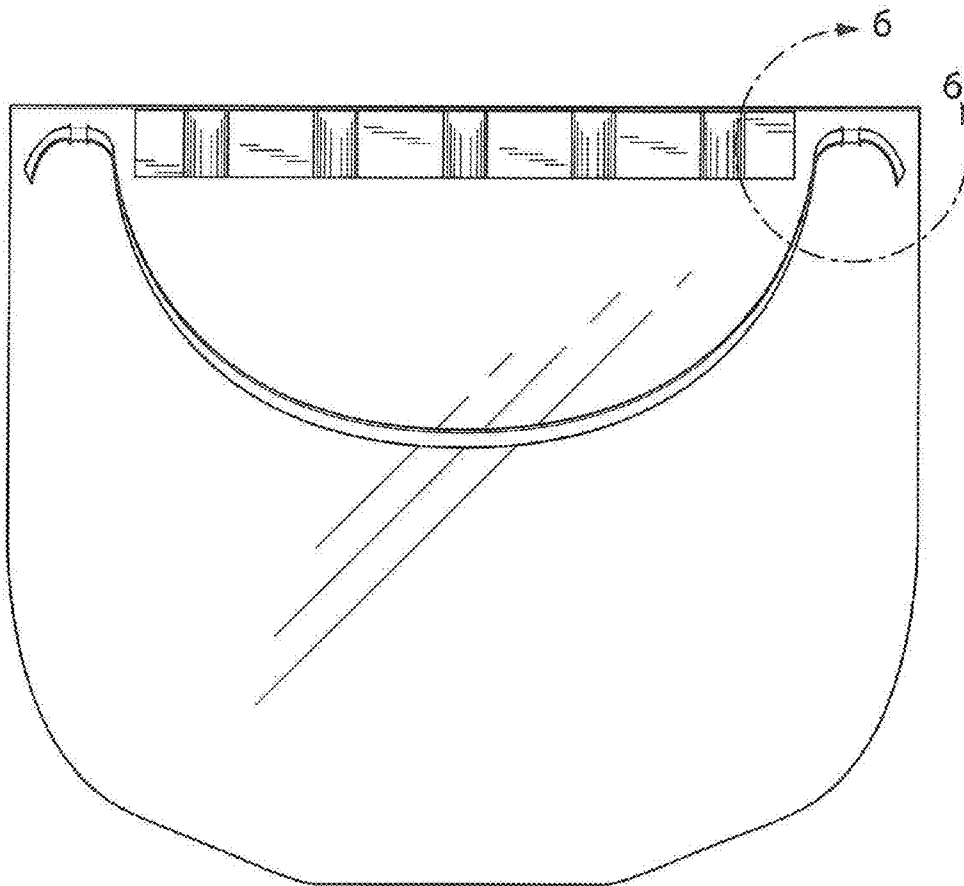
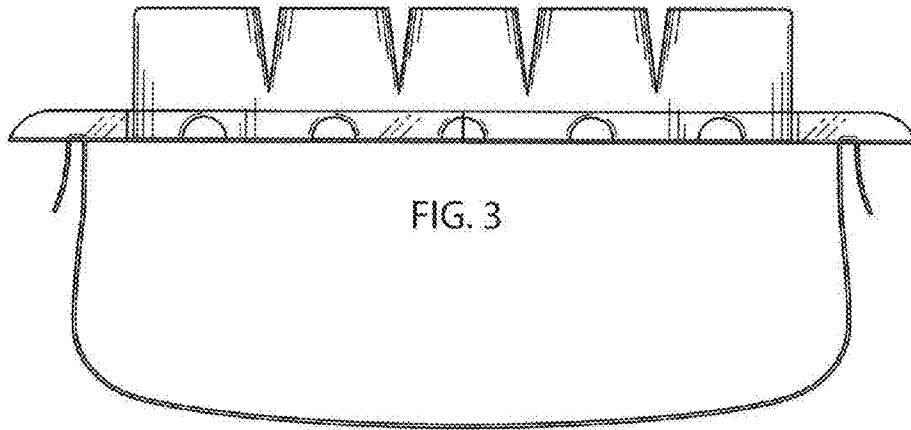


FIG. 4

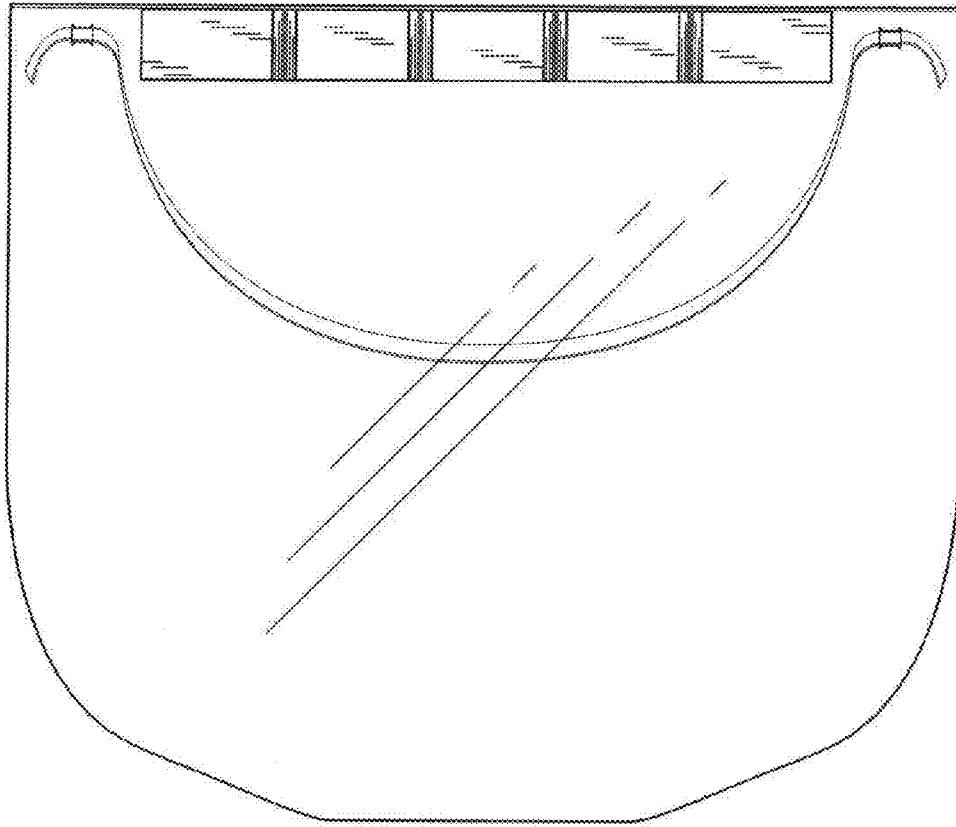


FIG. 5

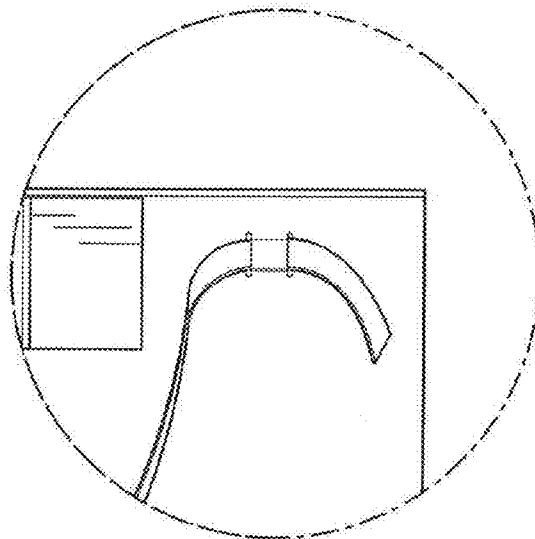


FIG. 6

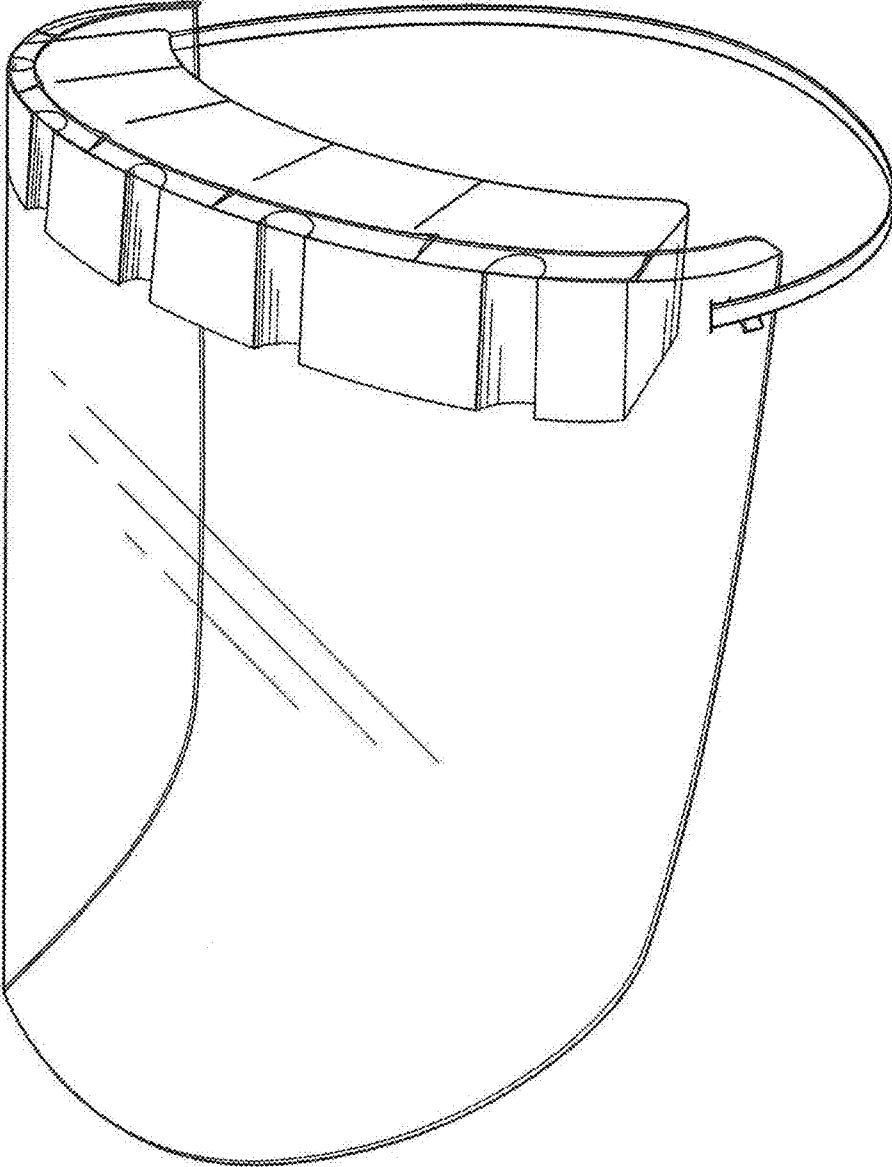


FIG. 7

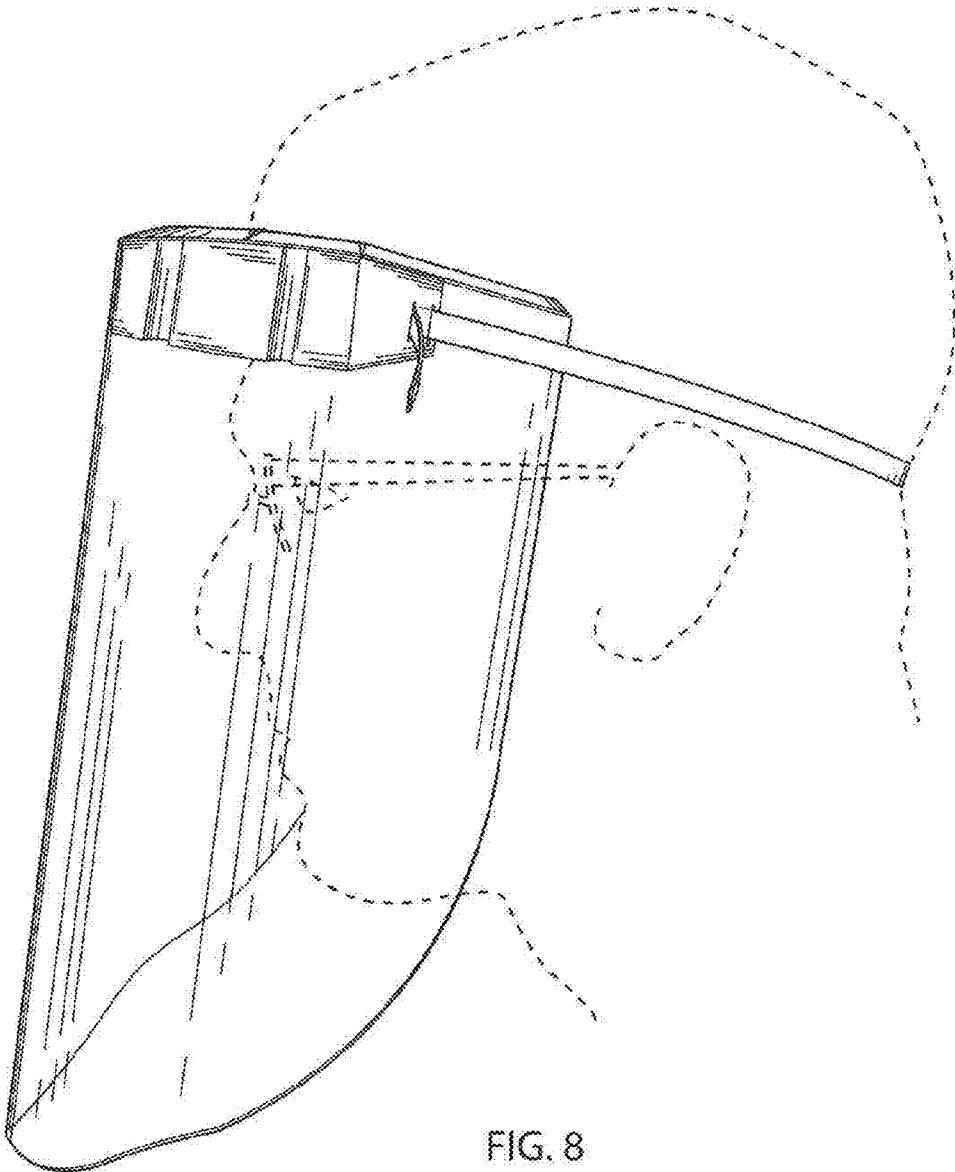


FIG. 8

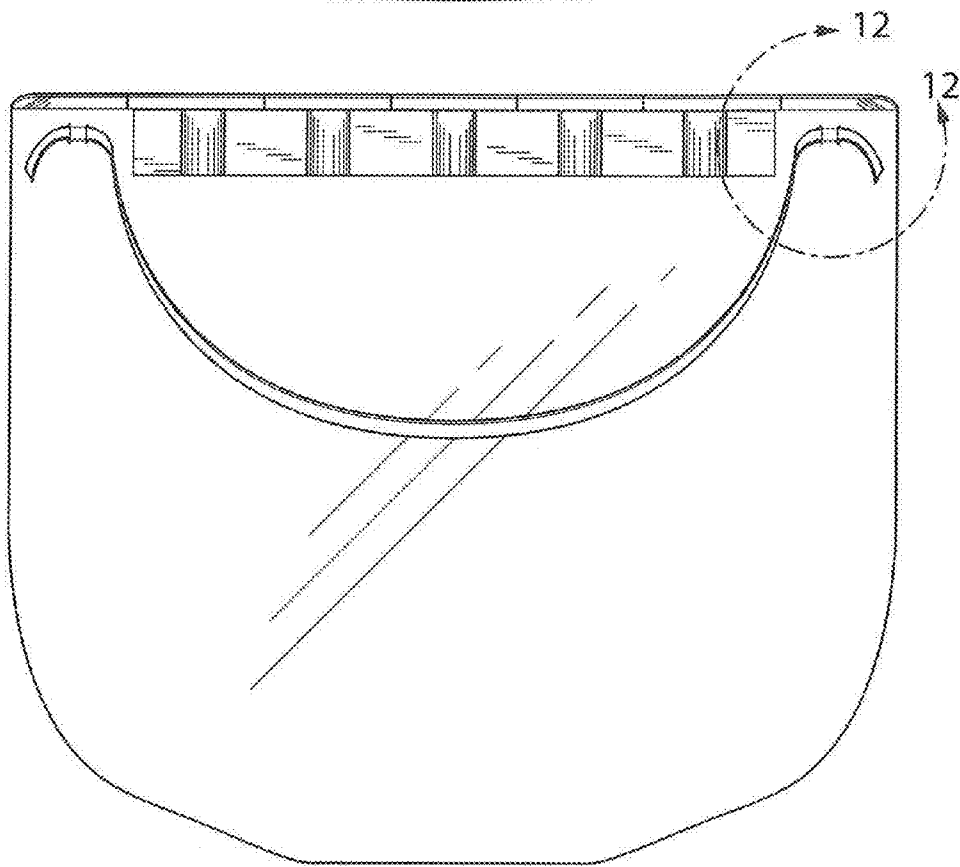
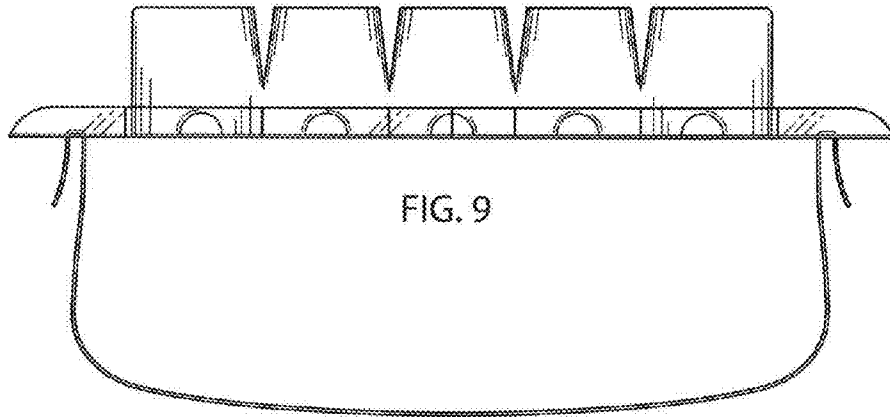


FIG. 10

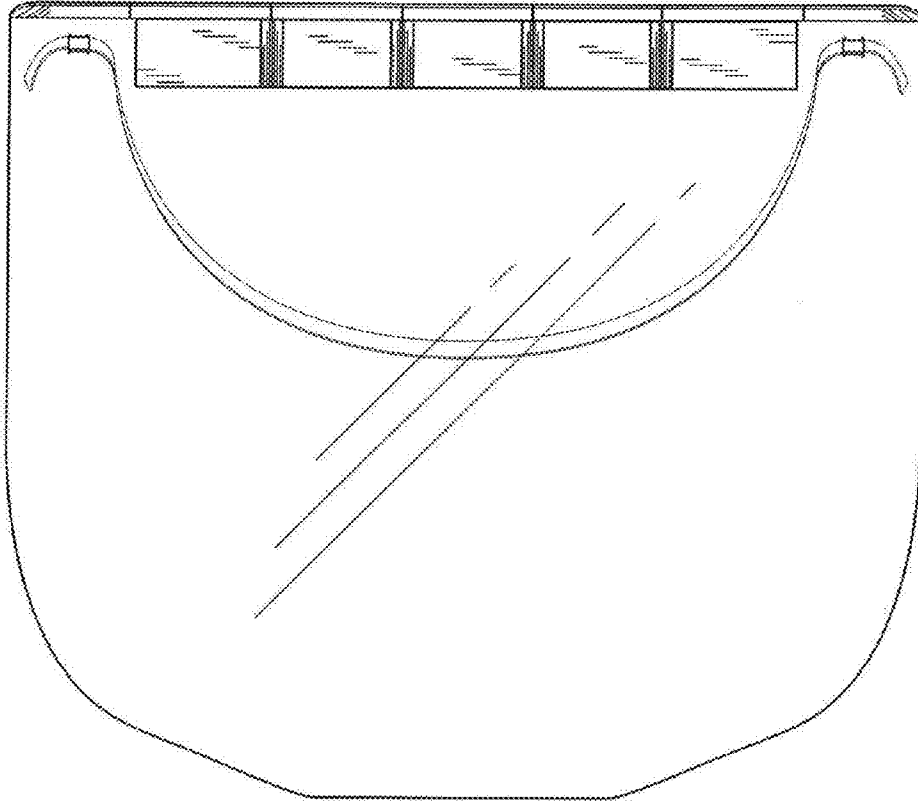


FIG. 11

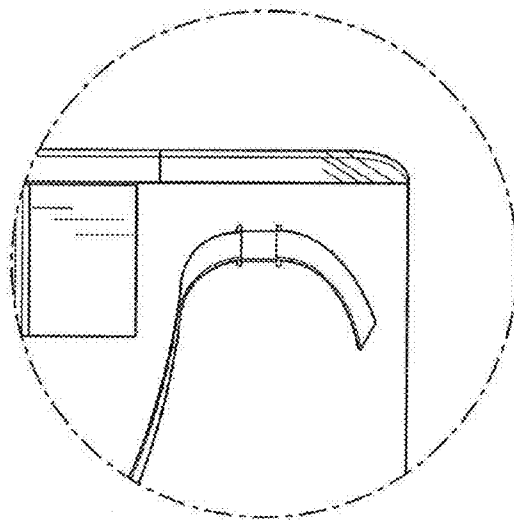


FIG. 12