



US00D935899S

(12) **United States Design Patent**
Manzoni

(10) **Patent No.:** **US D935,899 S**

(45) **Date of Patent:** **** Nov. 16, 2021**

- (54) **WRISTWATCH**
- (71) Applicant: **HUBLLOT SA, Genève, Geneva (CH)**
- (72) Inventor: **Flavio Manzoni, Modena (IT)**
- (73) Assignee: **HUBLLOT SA, Genève, Geneva (CH)**
- (**) Term: **15 Years**
- (21) Appl. No.: **29/705,987**
- (22) Filed: **Sep. 17, 2019**

D544,372	S *	6/2007	Seyr	D10/32
D578,902	S *	10/2008	Hoshino	D10/128
D582,793	S *	12/2008	Lalo	D10/38
D637,095	S *	5/2011	Vaptzarof	D10/38
D653,128	S *	1/2012	Vaptzarof	D10/39
D658,514	S *	5/2012	Mille	D10/39
8,366,313	B2 *	2/2013	Scioscia	G04B 37/05 368/286
D708,075	S *	7/2014	Mille	D10/39
D725,500	S *	3/2015	Biver	D10/39
D741,206	S *	10/2015	Lim	D10/70
D747,982	S *	1/2016	Miodrag	D10/39
D748,500	S *	2/2016	Schwamkrug	D10/30
D764,338	S *	8/2016	Cerrato	D10/127

(Continued)

(30) **Foreign Application Priority Data**

Mar. 18, 2019 (WO) 81579

(51) **LOC (13) Cl.** **10-02**

(52) **U.S. Cl.**
USPC **D10/39**

(58) **Field of Classification Search**
USPC D10/30-39, 65, 70, 97-98, 121-132;
D14/344
CPC G04B 19/00; G04B 19/125; G04B 19/04;
G04B 19/048; G04B 19/065; G04B
19/08; G04B 19/10; G04B 19/103; G04B
19/106; G04B 19/12; G04B 19/18; G04B
19/22; G04B 19/223; G04B 19/24; G04B
19/243; G04B 19/28; G04B 19/283;
G04B 37/00; G04B 37/0008; G04B
37/0058; G04B 45/00; G04B 45/0069;
G04B 45/0076; G04B 47/06; G04B
47/063; G04G 19/06
See application file for complete search history.

(56) **References Cited**

U.S. PATENT DOCUMENTS

D291,814	S *	9/1987	Cafaro, Jr.	D10/127
D327,860	S *	7/1992	Schmidlin	D10/122
6,668,456	B1 *	12/2003	Moser	G04B 19/12 29/896.32

OTHER PUBLICATIONS

The Hublot Classic Fusion Ferrari GT | hodinkee.com posted Mar. 25, 2019 [online], © 2009-2021, Hodinkee Inc. [retrieved Feb. 11, 2021] from Internet: <https://www.hodinkee.com/articles/hublot-classic-fusion-ferrari-gt-photos> (Year: 2019).*

Primary Examiner — Katherine Glennon
(74) *Attorney, Agent, or Firm* — Sughrue Mion, PLLC

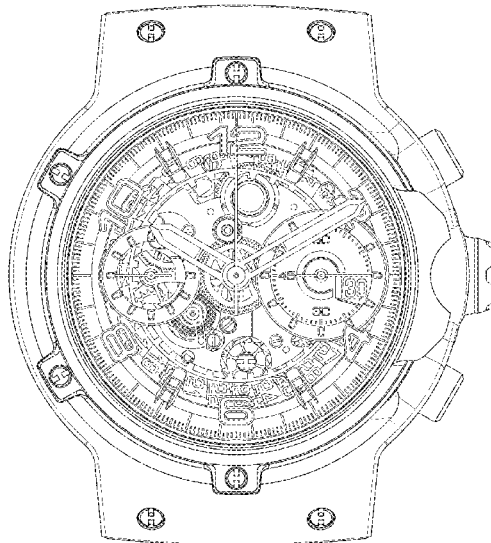
(57) **CLAIM**

The ornamental design for a wristwatch, as shown and described.

DESCRIPTION

FIG. 1 is a front elevational view of a wristwatch showing my new design;
FIG. 2 is a perspective view of a front and right side thereof;
FIG. 3 is a rear elevational view thereof;
FIG. 4 is a left side elevational view thereof;
FIG. 5 is a right side elevational view thereof;
FIG. 6 is a bottom plan view thereof; and,
FIG. 7 is a top plan view thereof.
The broken lines in the figures illustrate portions of the wristwatch that form no part of the claimed design.

1 Claim, 6 Drawing Sheets



(56)

References Cited

U.S. PATENT DOCUMENTS

D799,987	S	*	10/2017	Mille	D10/30
D800,578	S	*	10/2017	Behling	D10/30
D843,231	S	*	3/2019	Manzoni	D10/39
D843,851	S	*	3/2019	Manzoni	D10/30
D885,936	S	*	6/2020	De Oliveira	D10/39
D887,288	S	*	6/2020	Behling	D10/38
D893,318	S	*	8/2020	Orlinski	D10/39
2008/0089185	A1	*	4/2008	Martin G04B	37/1486 368/282

* cited by examiner



FIG. 1

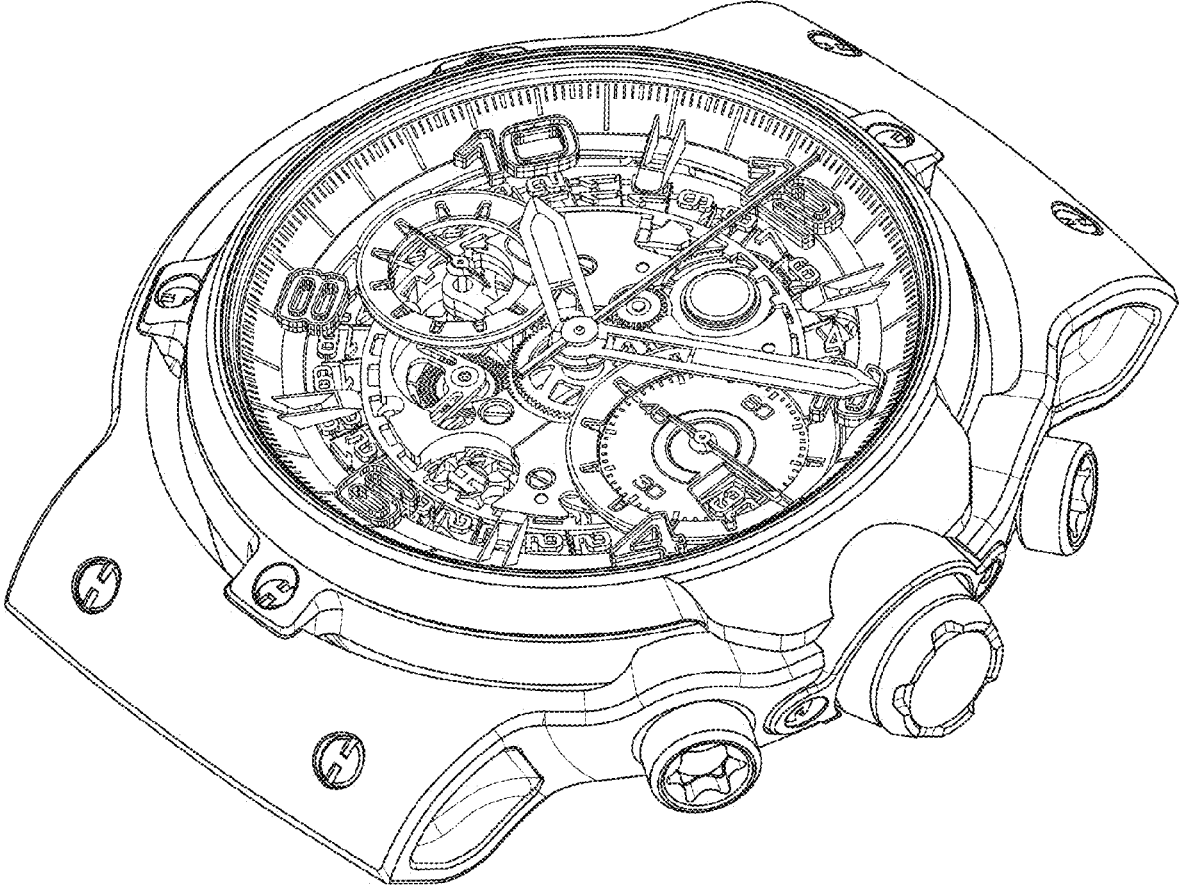


FIG. 2

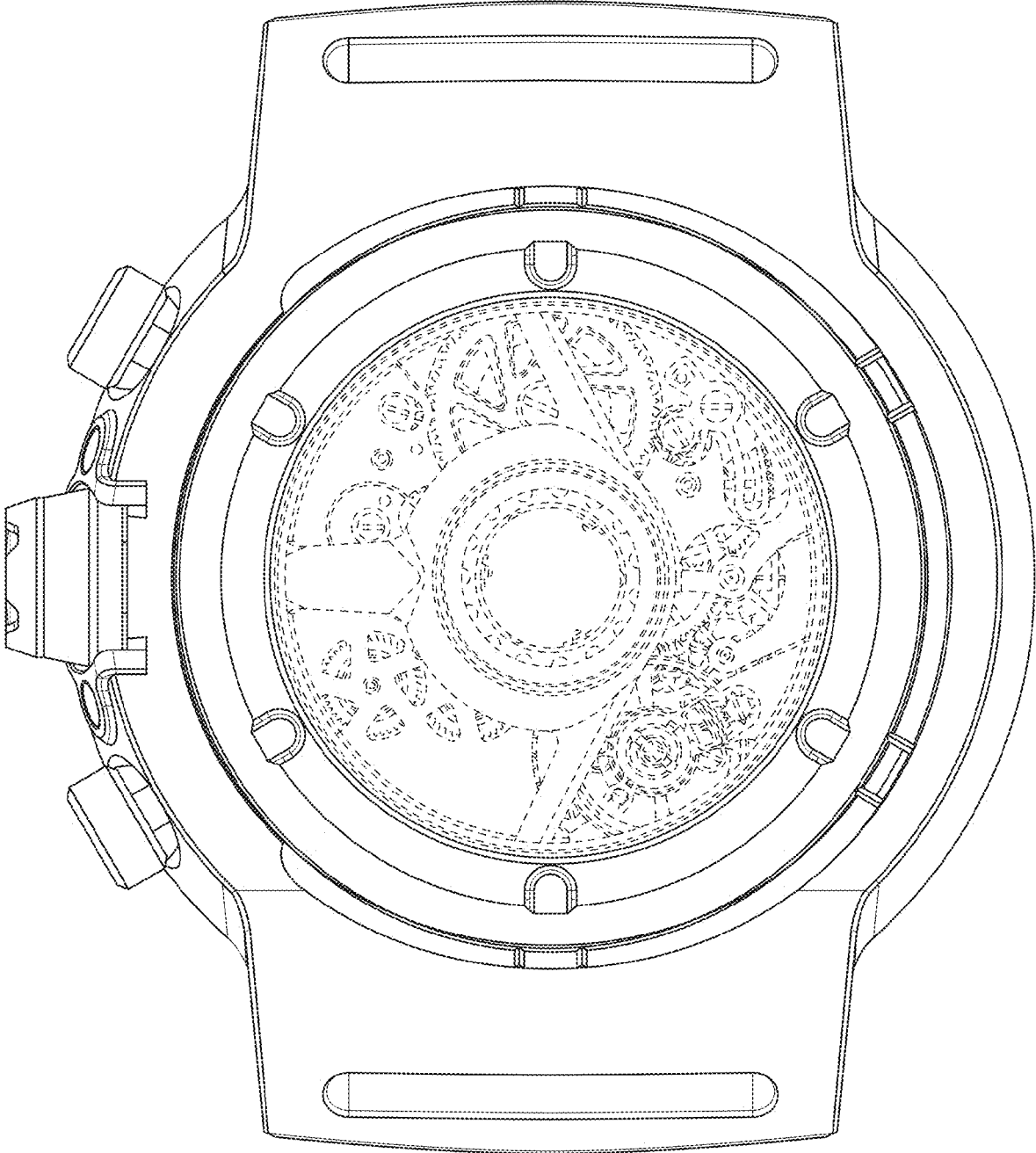


FIG. 3

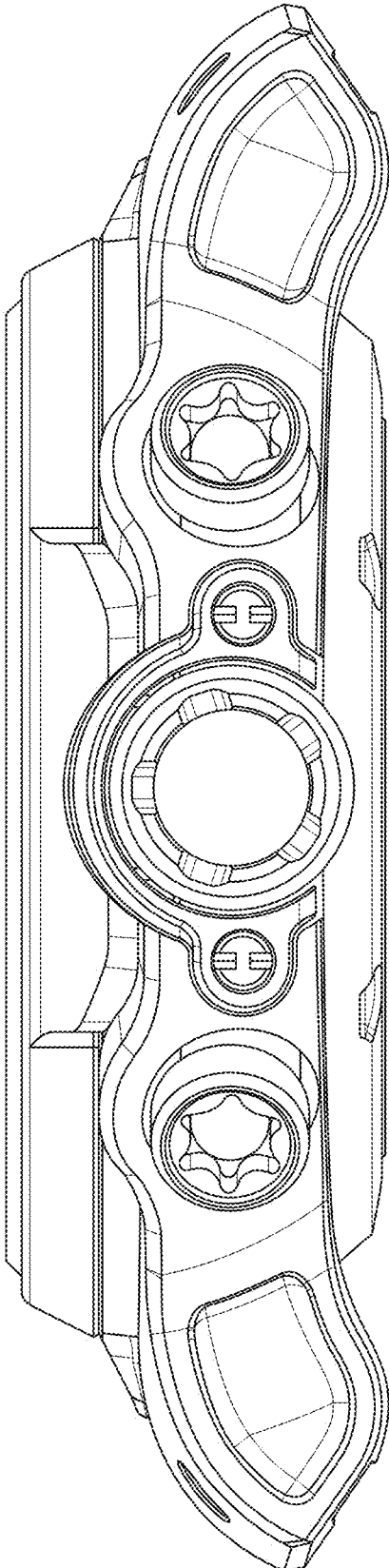


FIG. 4

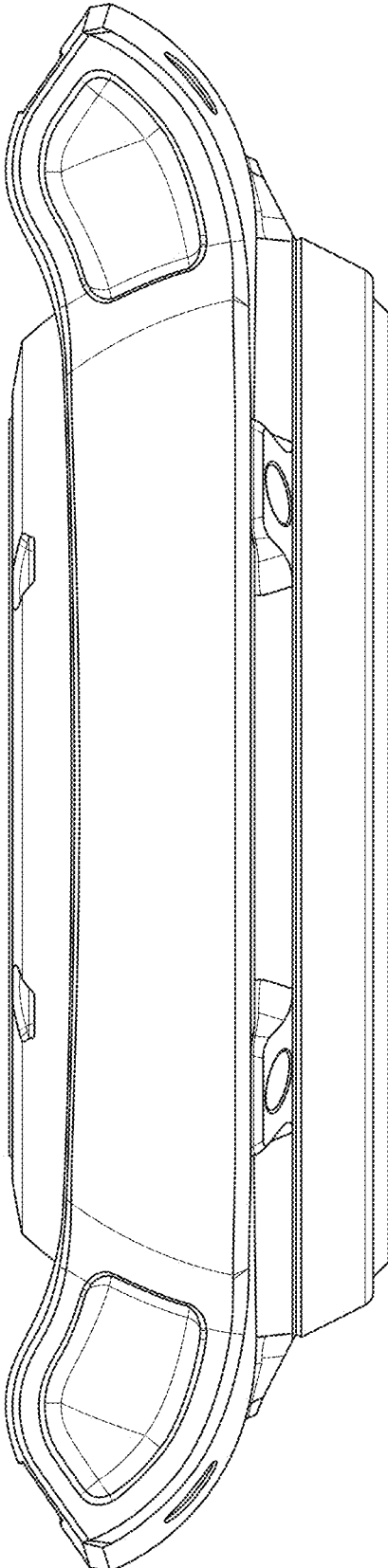


FIG. 5

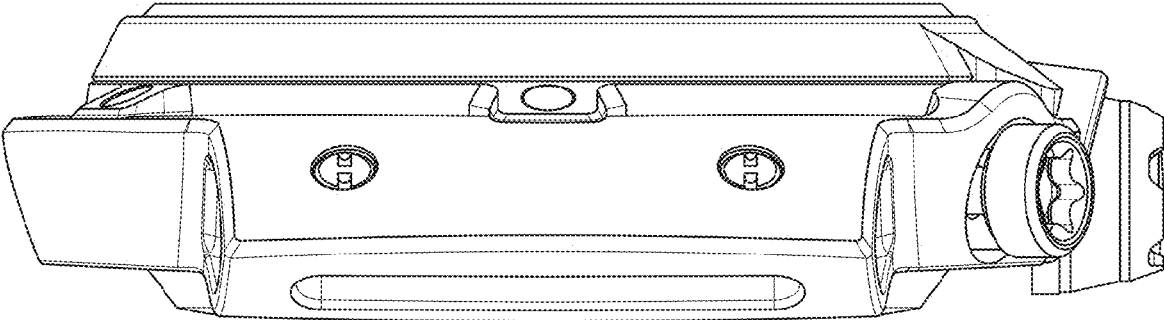


FIG. 6

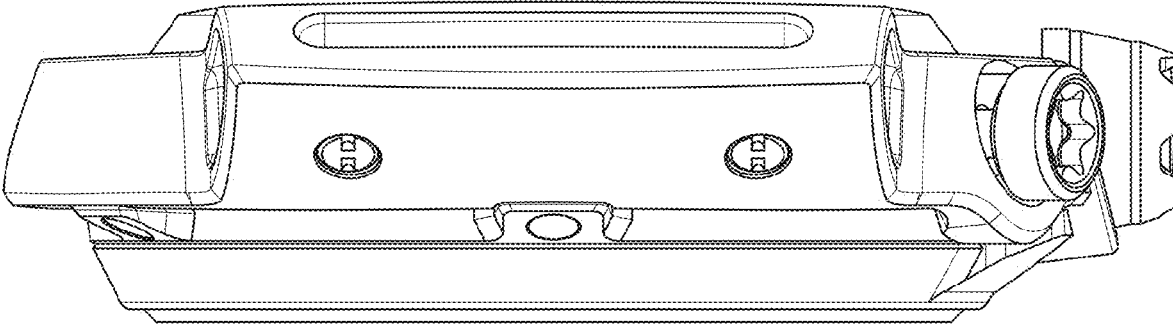


FIG. 7