



US00D401067S

# United States Patent [19] Hampshire

[11] **Patent Number:** **Des. 401,067**

[45] **Date of Patent:** **\*\*Nov. 17, 1998**

[54] **TOTE**  
[75] **Inventor:** **James Hampshire, Solon, Ohio**  
[73] **Assignee:** **InterDesign, Inc., Solon, Ohio**  
[\*\*] **Term:** **14 Years**

D. 372,583 8/1996 Brightbill ..... D3/314  
441,343 11/1890 Warner ..... 16/120  
1,420,851 6/1922 Lindhorst ..... 220/755  
1,948,202 2/1934 Chapman ..... D3/306 X

*Primary Examiner*—Sandra L. Morris  
*Assistant Examiner*—Richelle Shelton  
*Attorney, Agent, or Firm*—D. Peter Hochberg

[21] **Appl. No.:** **73,052**  
[22] **Filed:** **Jun. 30, 1997**

[57] **CLAIM**

The ornamental design for a tote, as shown and described.

[51] **LOC (6) Cl.** ..... **03-01**  
[52] **U.S. Cl.** ..... **D3/309; D3/306**  
[58] **Field of Search** ..... **D3/304, 307-314;**  
D9/424, 425, 432; 16/120; 206/503, 506,  
511; 220/676, 753, 755, 768, 775

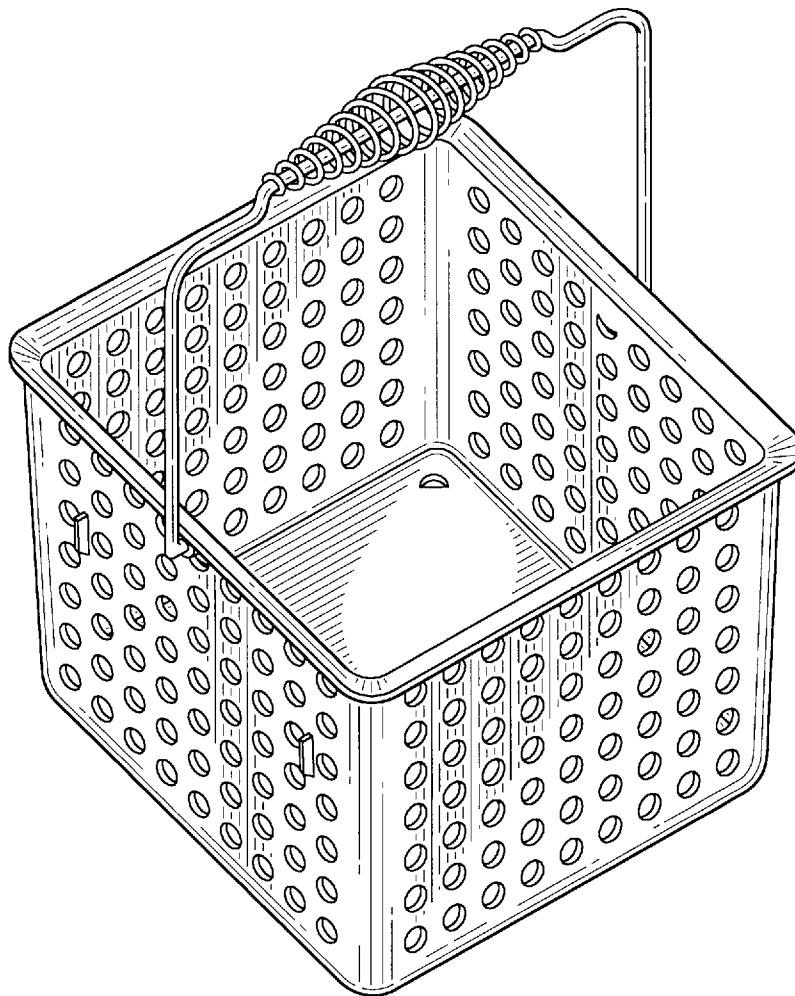
**DESCRIPTION**

FIG. 1 is a perspective view of a tote embodying my new design;  
FIG. 2 is a top view of the tote shown in FIG. 1;  
FIG. 3 is a side view of the tote shown in FIG. 1;  
FIG. 4 is a bottom view of the tote in FIG. 1; and,  
FIG. 5 is another side view of the tote shown in FIG. 1.

[56] **References Cited**  
**U.S. PATENT DOCUMENTS**

D. 330,984 11/1992 Hampshire ..... D3/309

**1 Claim, 3 Drawing Sheets**



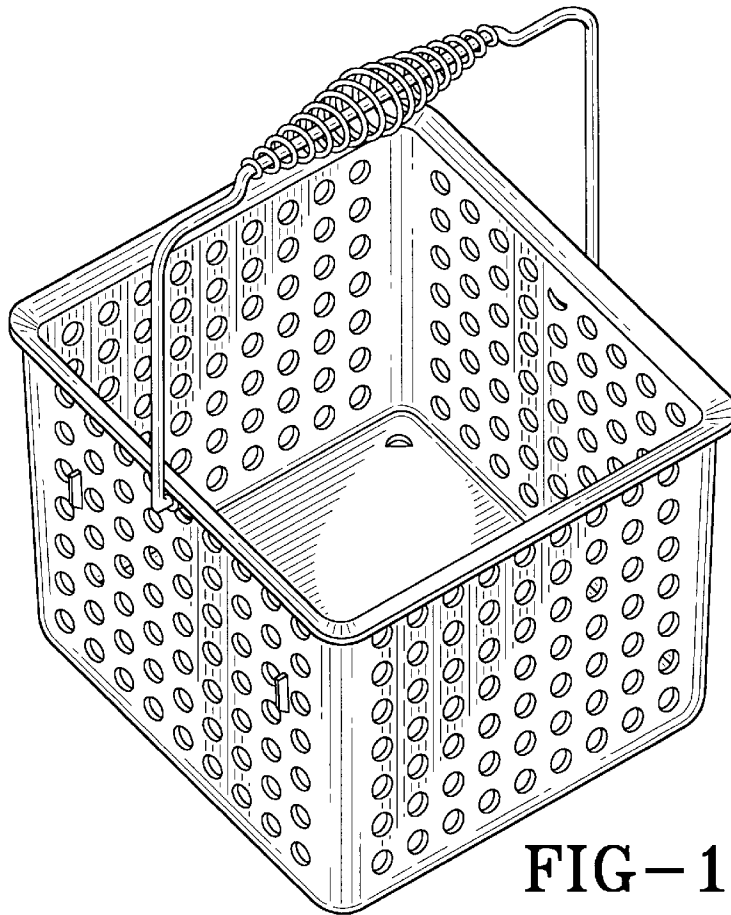


FIG-1

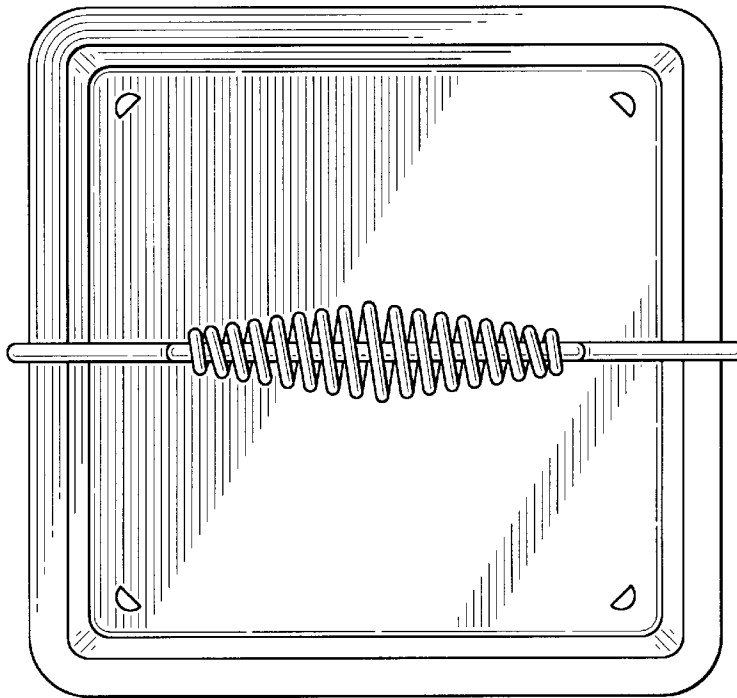


FIG-2

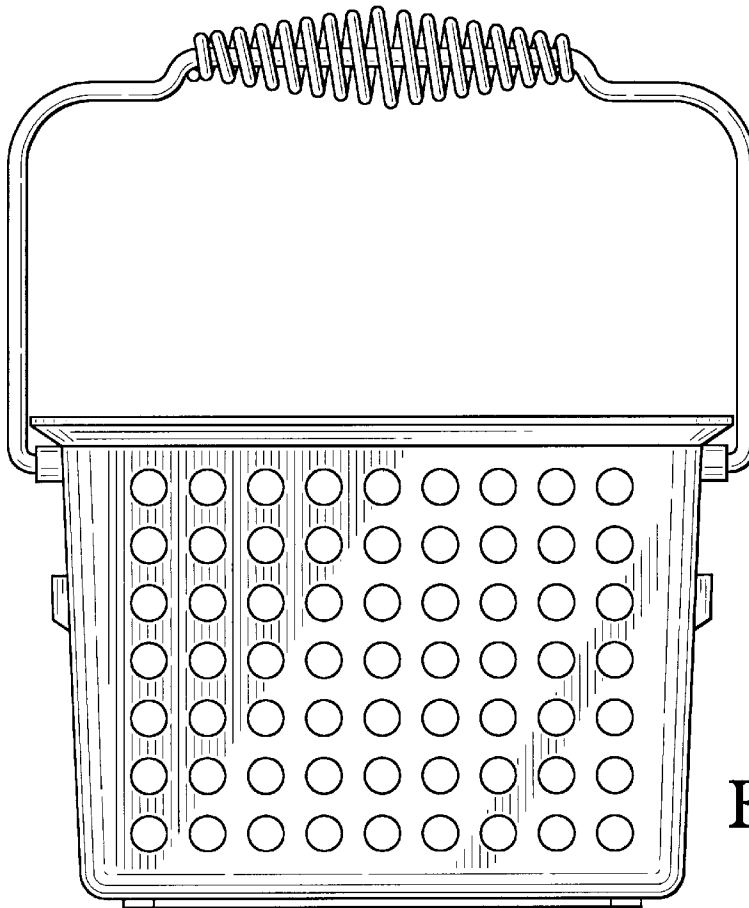


FIG-3

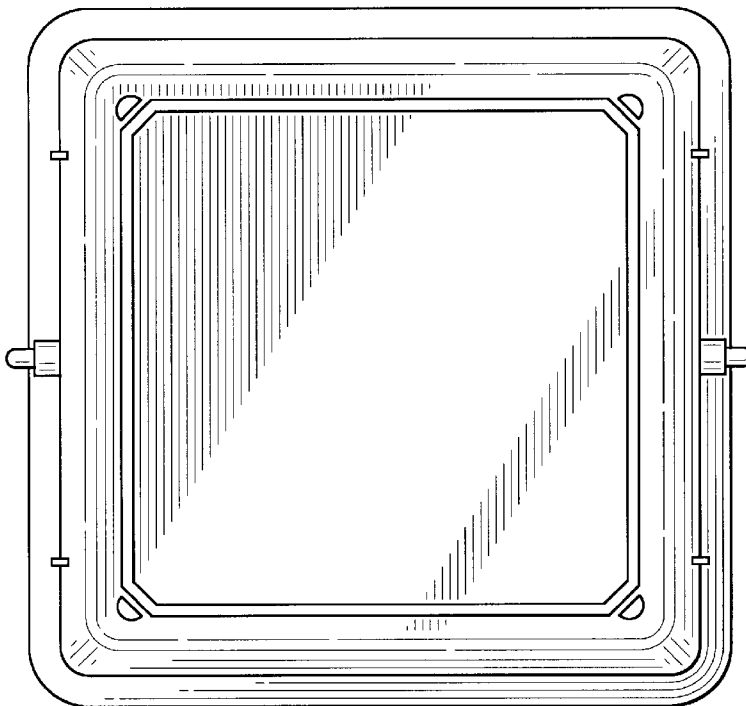


FIG-4

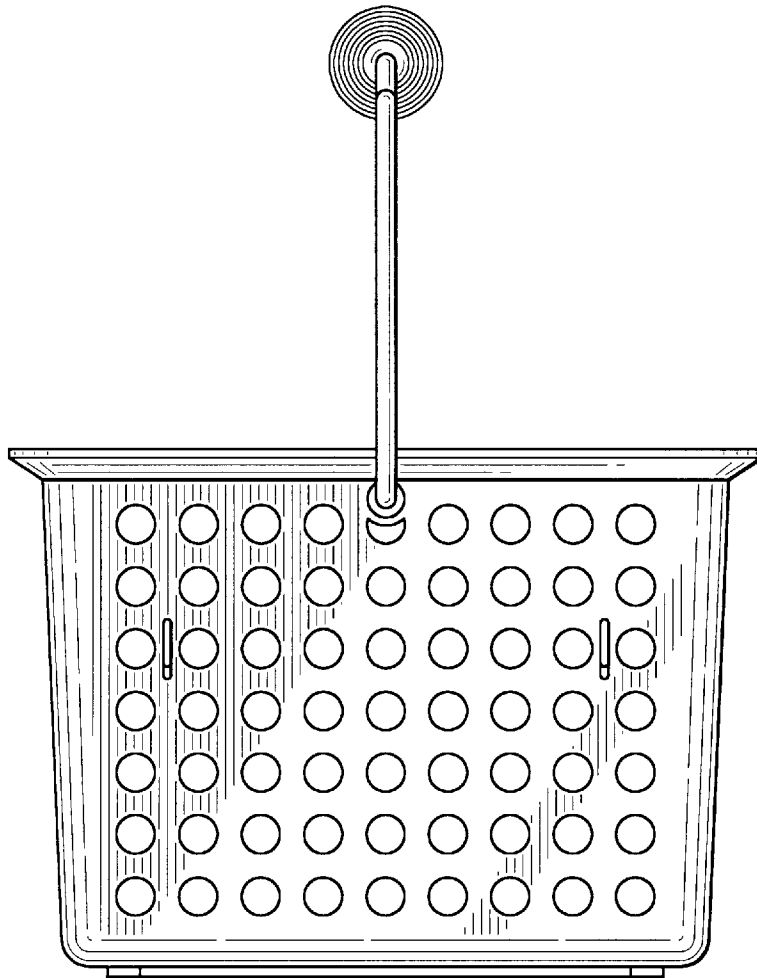


FIG-5