



US00D971842S

(12) **United States Design Patent**  
**Mikoshiha et al.**

(10) **Patent No.:** **US D971,842 S**

(45) **Date of Patent:** **\*\* Dec. 6, 2022**

(54) **INDUCTOR**

(71) Applicant: **TOKIN Corporation**, Sendai (JP)

(72) Inventors: **Shun Mikoshiha**, Sendai (JP); **Hiroshi Shima**, Sendai (JP); **Kenichiro Kobayashi**, Sendai (JP); **Yoshihiro Saito**, Sendai (JP)

(73) Assignee: **TOKIN Corporation**, Sendai (JP)

(\*\*) Term: **15 Years**

(21) Appl. No.: **29/777,878**

(22) Filed: **Apr. 8, 2021**

(51) **LOC (13) Cl.** ..... **13-02**

(52) **U.S. Cl.**  
USPC ..... **D13/117**

(58) **Field of Classification Search**  
USPC ..... D13/117, 101, 110, 118, 133, 179, 183, D13/199; D15/5, 199  
CPC . H01F 5/02; H01F 5/04; H01F 27/022; H01F 27/29; H01F 27/292; H01F 27/325; H01F 27/2847; H01F 41/061; H01F 41/10; Y10T 29/4902; Y10T 29/49069; Y10T 29/49071; Y10T 29/49073

See application file for complete search history.

(56) **References Cited**

**U.S. PATENT DOCUMENTS**

3,909,761 A \* 9/1975 Miles ..... H01F 27/325  
336/208  
5,140,291 A \* 8/1992 Mulder ..... H01F 27/255  
336/212

D329,041 S \* 9/1992 Masuda ..... D13/117  
7,129,810 B1 \* 10/2006 Kimura ..... H01F 17/043  
336/200  
D586,745 S \* 2/2009 Shibata ..... D13/117  
D649,115 S \* 11/2011 Miura ..... D13/117  
D650,906 S \* 12/2011 Phillips ..... D24/158  
D796,438 S \* 9/2017 Kakuda ..... D13/117  
D829,654 S \* 10/2018 Sid ..... D13/110  
D884,630 S \* 5/2020 Konno ..... D13/117  
2018/0342346 A1 \* 11/2018 Hashimoto ..... H01F 27/24

\* cited by examiner

*Primary Examiner* — Derrick E Holland

(74) *Attorney, Agent, or Firm* — McCoy Russell LLP

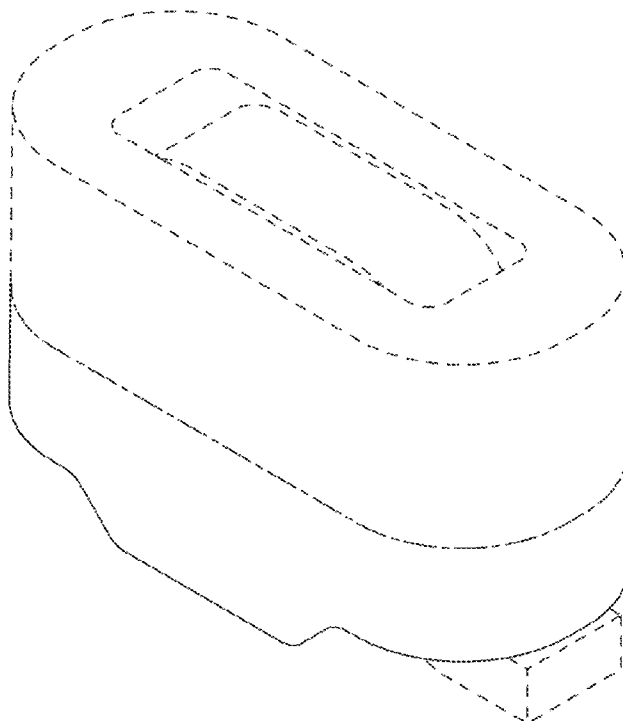
(57) **CLAIM**

The ornamental design for an inductor, as shown and described.

**DESCRIPTION**

FIG. 1 is a front view of an inductor according to the claimed design, with the rear view being the same.  
FIG. 2 is a top plan view of the inductor.  
FIG. 3 is a bottom plan view of the inductor.  
FIG. 4 is a right side view of the inductor.  
FIG. 5 is a left side view of the inductor.  
FIG. 6 is a first perspective view of the inductor; and, FIG. 7 is a second perspective view of the inductor.  
The broken lines in the drawings illustrate portions of the inductor that form no part of the claimed design.  
The long-dash short-dash broken lines in the drawings define the bounds of the claimed design and form no part thereof.

**1 Claim, 4 Drawing Sheets**



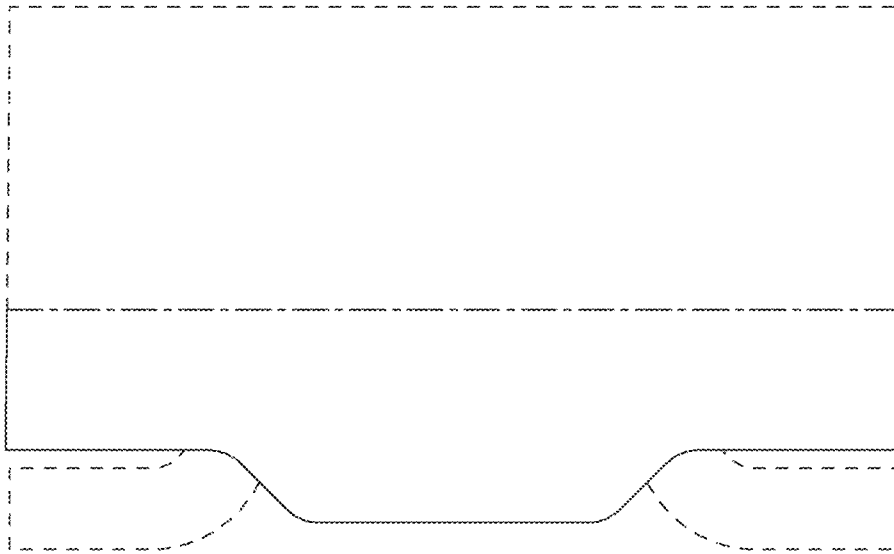


FIG. 1



FIG. 2

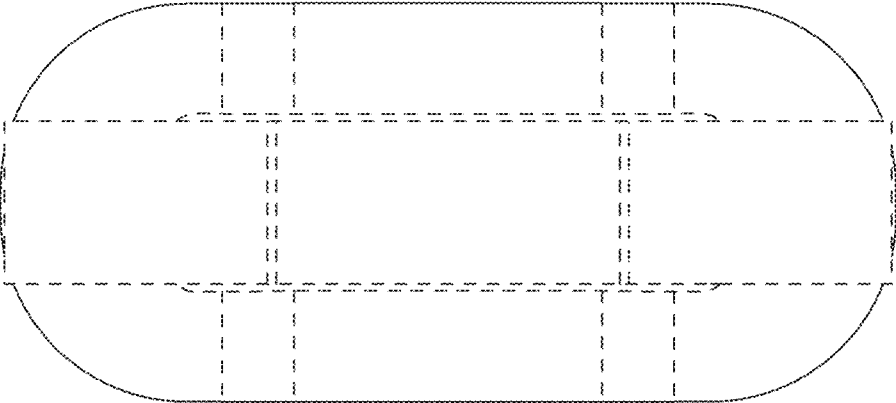


FIG. 3

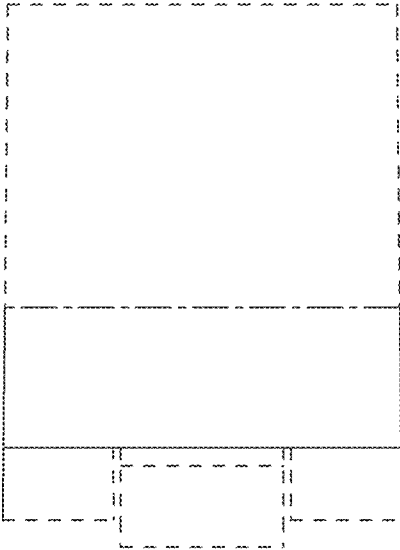


FIG. 4

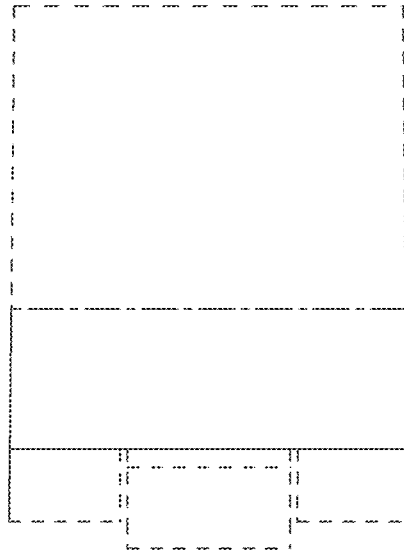


FIG. 5

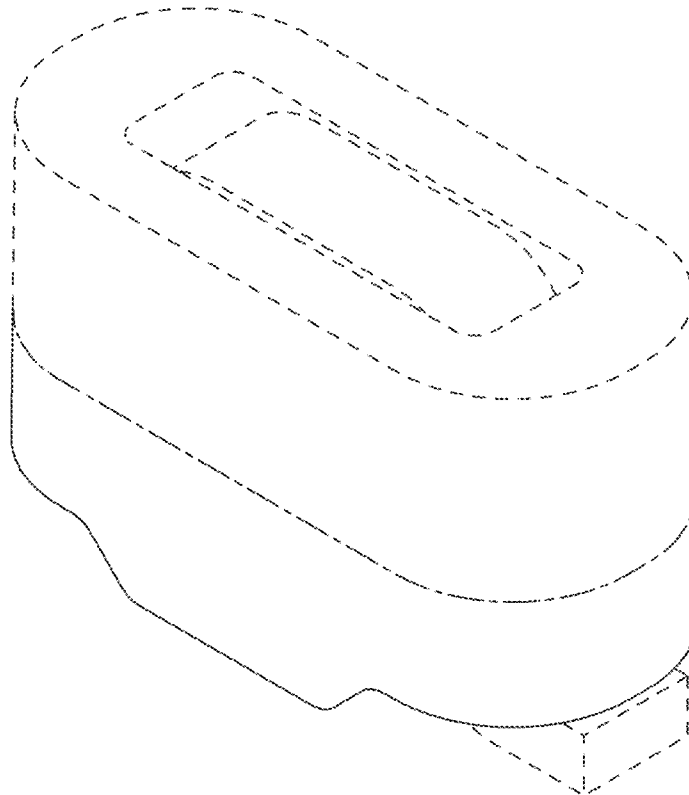


FIG. 6

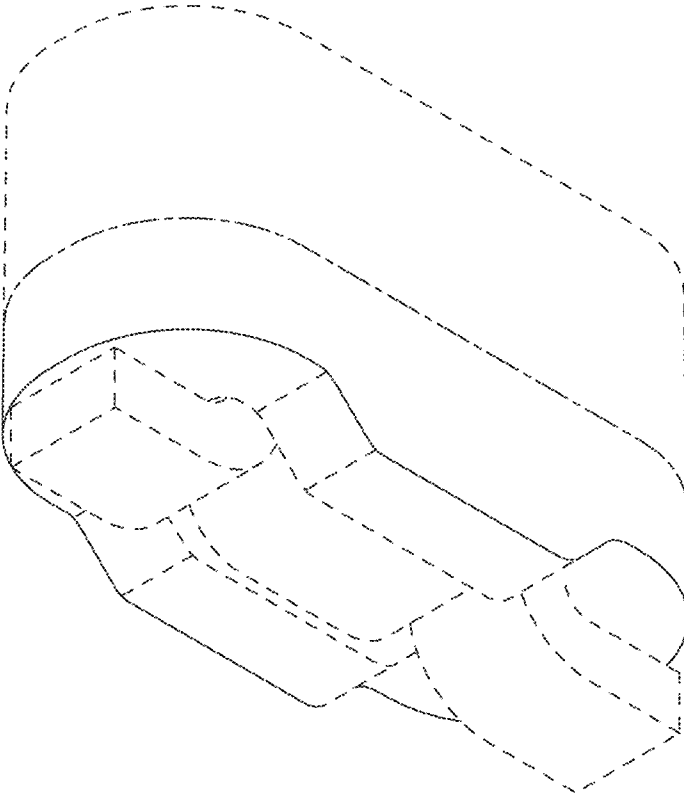


FIG. 7