



US00D842679S

(12) **United States Design Patent**
Todd, Jr.

(10) **Patent No.:** **US D842,679 S**

(45) **Date of Patent:** **** Mar. 12, 2019**

- (54) **HINGE**
- (71) Applicant: **Southco, Inc.**, Concordville, PA (US)
- (72) Inventor: **John Joseph Todd, Jr.**, Springfield, PA (US)
- (73) Assignee: **SOUTHCO, INC.**, Concordville, PA (US)
- (**) Term: **15 Years**

D649,008 S *	11/2011	Caffin	D8/323
D649,009 S *	11/2011	Caffin et al.	D8/323
D653,097 S *	1/2012	Hatano	D8/328
D726,525 S *	4/2015	Kenerly	D8/328

(Continued)

FOREIGN PATENT DOCUMENTS

TW	D165121 S	1/2015
TW	D171849 S	11/2015

OTHER PUBLICATIONS

Reell Innovative Torque Solutions, <http://reell.com/products/position-hinges/mh12>, 2017, 5 Pages.

(Continued)

Primary Examiner — Cynthia R Underwood
(74) *Attorney, Agent, or Firm* — RatnerPrestia

- (21) Appl. No.: **29/594,071**
- (22) Filed: **Feb. 15, 2017**
- (51) **LOC (11) Cl.** **08-06**
- (52) **U.S. Cl.**
USPC **D8/323**
- (58) **Field of Classification Search**
USPC D8/323, 327, 328
CPC E05D 5/12; E05D 11/082; E05D 1/02;
B64G 1/222
See application file for complete search history.

(57) **CLAIM**

The ornamental design for a hinge, as shown and described.

DESCRIPTION

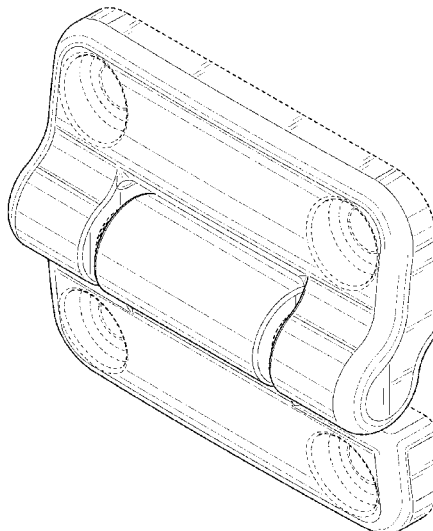
FIG. 1 is a top side isometric view of a hinge;
 FIG. 2 is a bottom side isometric view thereof;
 FIG. 3 is a top plan view thereof;
 FIG. 4 is a bottom plan view thereof;
 FIG. 5 is an elevation view from the left side thereof;
 FIG. 6 is an elevation view from the right side thereof;
 FIG. 7 is a front elevation view thereof;
 FIG. 8 is a rear elevation view thereof;
 FIG. 9 is a top side isometric view thereof showing the hinge in a pivoted configuration; and,
 FIG. 10 is a bottom side isometric view thereof showing the hinge in the pivoted configuration.
 The broken lines shown in the drawing views are for the purpose of illustrating portions of the hinge and form no part of the claimed design.

1 Claim, 10 Drawing Sheets

(56) **References Cited**

U.S. PATENT DOCUMENTS

1,832,902 A *	11/1931	Holbrook	16/392
D139,227 S *	10/1944	Greiling	D8/323
D183,261 S *	7/1958	Mink	D8/327
4,490,884 A	1/1985	Vickers	
D284,931 S	8/1986	Bisbing	
D344,667 S	3/1994	Riblett et al.	
D376,971 S *	12/1996	Schutz	D8/327
D385,475 S *	10/1997	Bolinas et al.	D8/328
D401,134 S *	11/1998	Finkelstein	D8/329
D436,515 S *	1/2001	Sonntag	D8/328
D533,433 S *	12/2006	Loggen	D8/329
D541,624 S *	5/2007	Franchini	D8/328
D565,386 S *	4/2008	Bladen et al.	D8/323
D584,130 S *	1/2009	Bertani	D8/328
D621,683 S *	8/2010	Mullenix	D8/323
D622,576 S *	8/2010	Farkas et al.	D8/328
D635,433 S *	4/2011	Le	D8/327



(56)

References Cited

U.S. PATENT DOCUMENTS

D741,142	S	10/2015	Todd et al.	
D747,949	S	1/2016	Lindo et al.	
D748,450	S *	2/2016	Ganter	D8/323
D789,766	S *	6/2017	Todd, Jr.	D8/323
D802,532	S *	11/2017	Maurer	D13/122
D826,689	S *	8/2018	Wei	D8/323
2011/0308041	A1 *	12/2011	Le	E05D 3/022 16/248

OTHER PUBLICATIONS

Essentra, <https://www.mesanlocks.com/en/categories/hinges/leaf-hinges/16/leaf-hinges.html>, 2016—5 Pages.

Essentra, <http://deeh10136.de.plus.compute.ihost.com/en-us/access-hardware/hinges/leaf-flag-hinges/leaf-flag-free-swinging-hinges>, 2015—3 Pages.

Elesa+Ganter, <https://www.lesa-ganter.com/products/hinges>, 21 Pages.

Ningbo Shengjiu Cabinets Lock Co., Ltd., <http://cabinetslock.com/9-3-butterfly-hinge.html/103333>, 2 Pages.

Taiwanese Office Action for Taiwanese Application No. 106304558, dated Feb. 1, 2018 with translation, 4 pages.

Notice of Reasons for Rejection for Japanese Application No. 2017-017490, dated Mar. 20, 2018, including English translation, 2 pages.

* cited by examiner

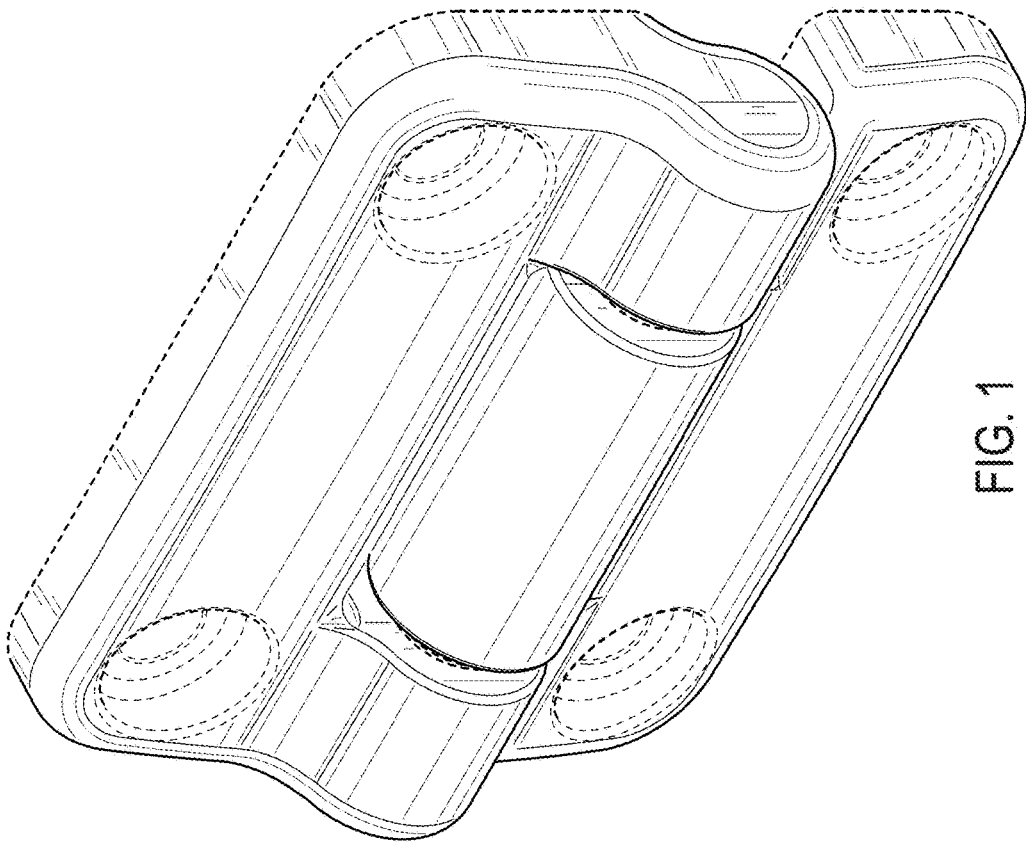


FIG. 1

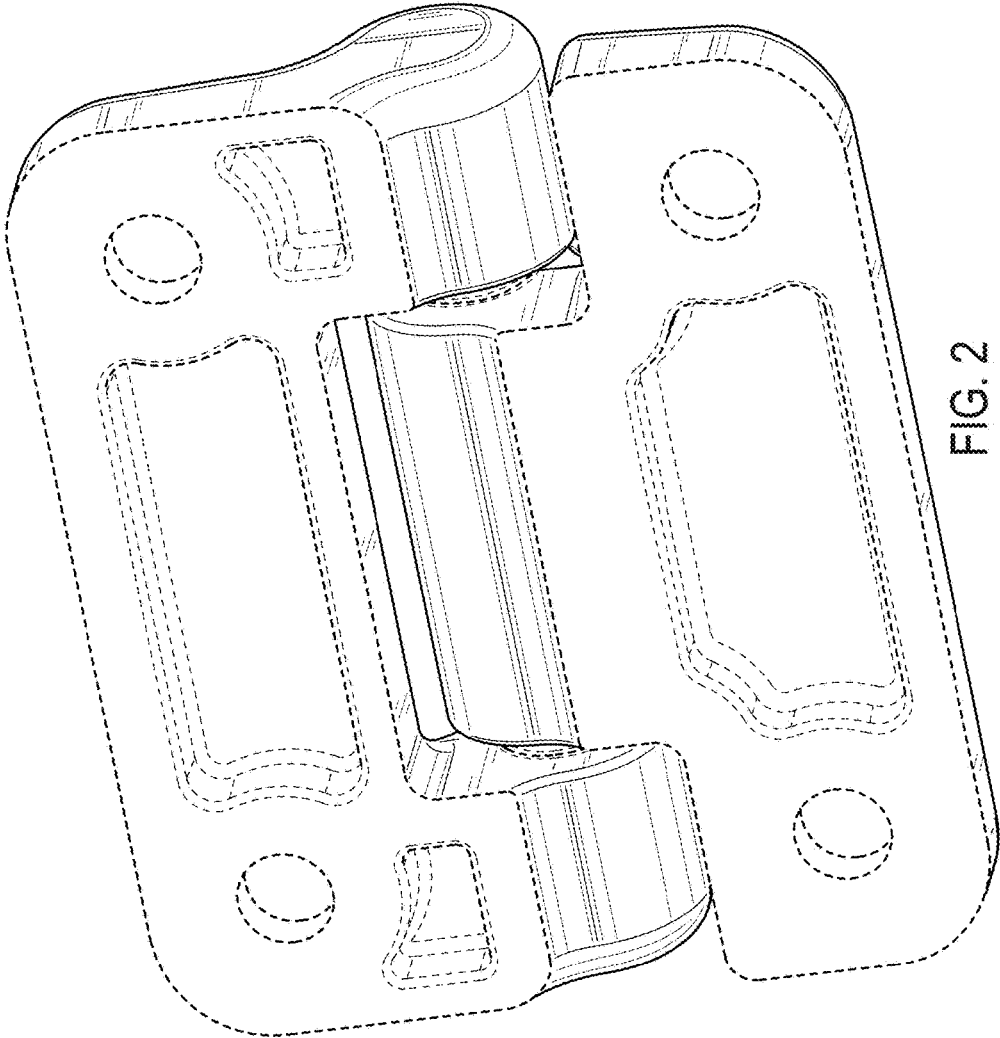


FIG. 2

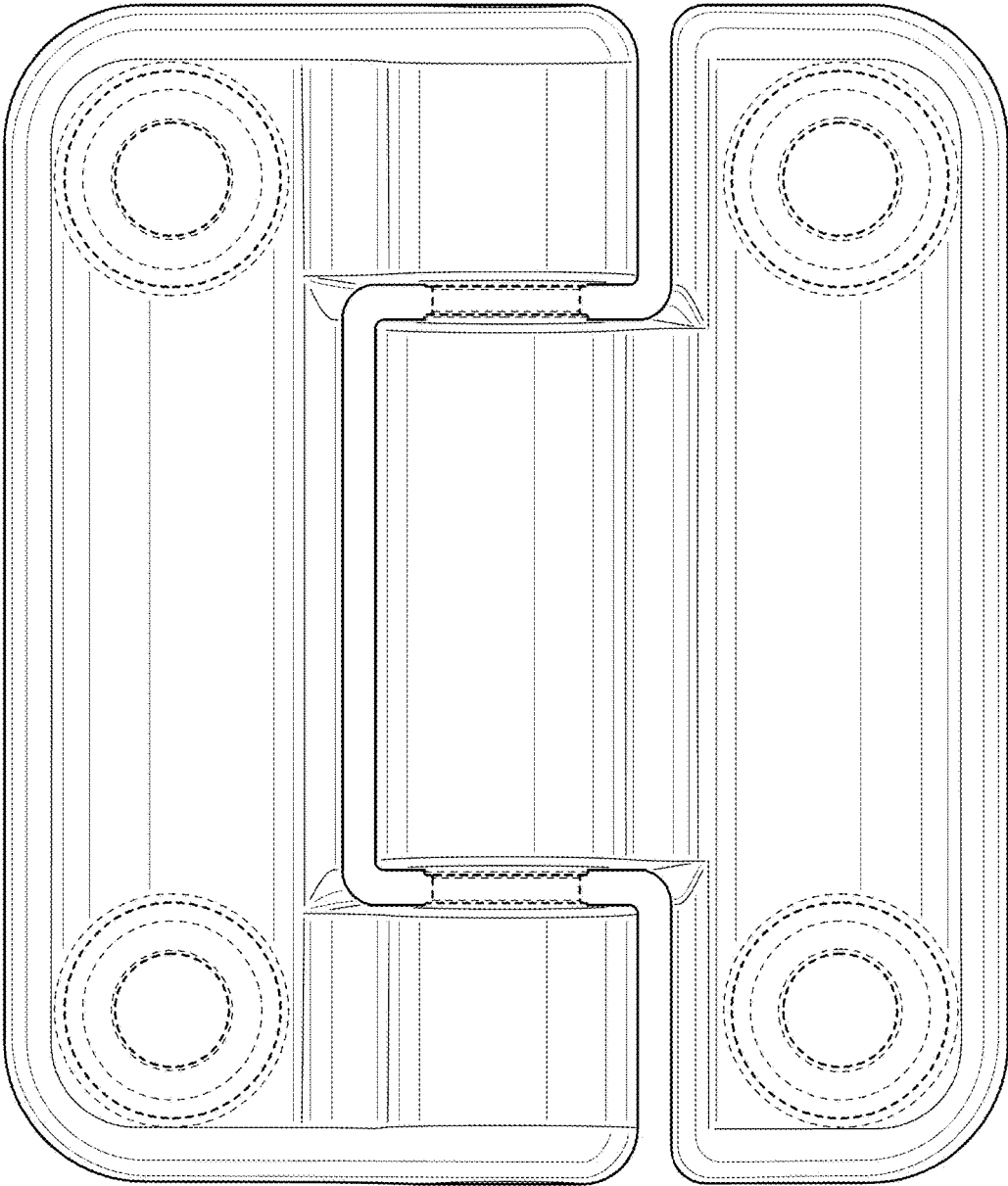


FIG. 3

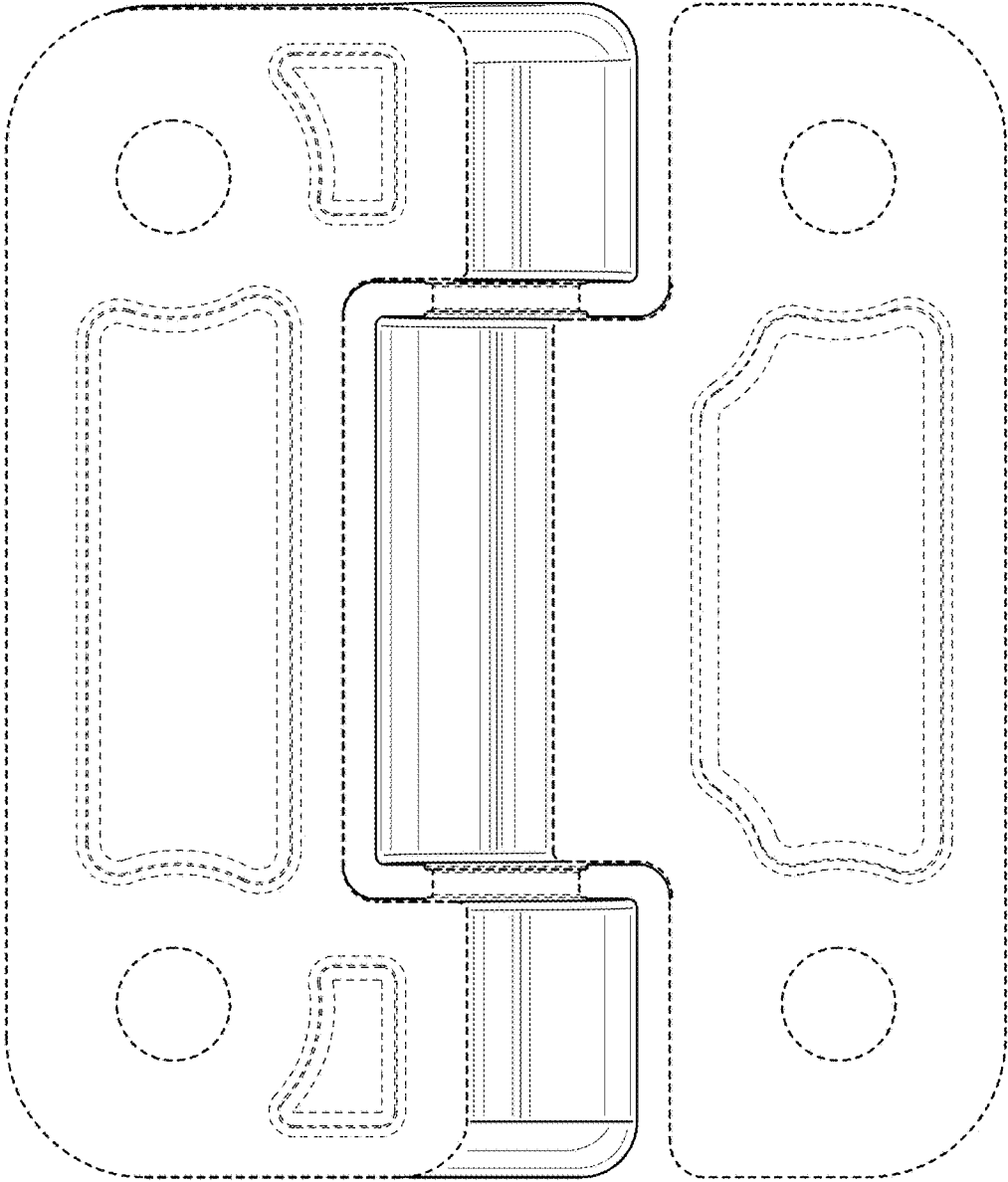


FIG. 4

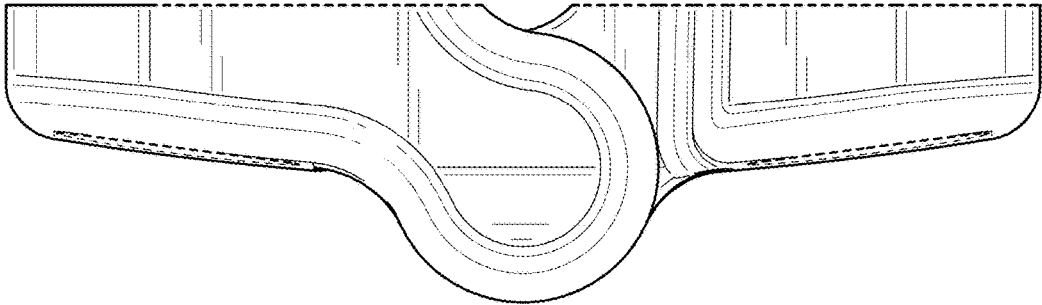


FIG. 5

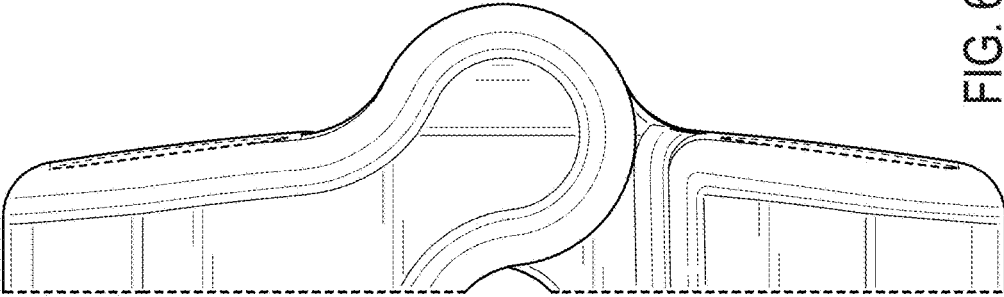


FIG. 6

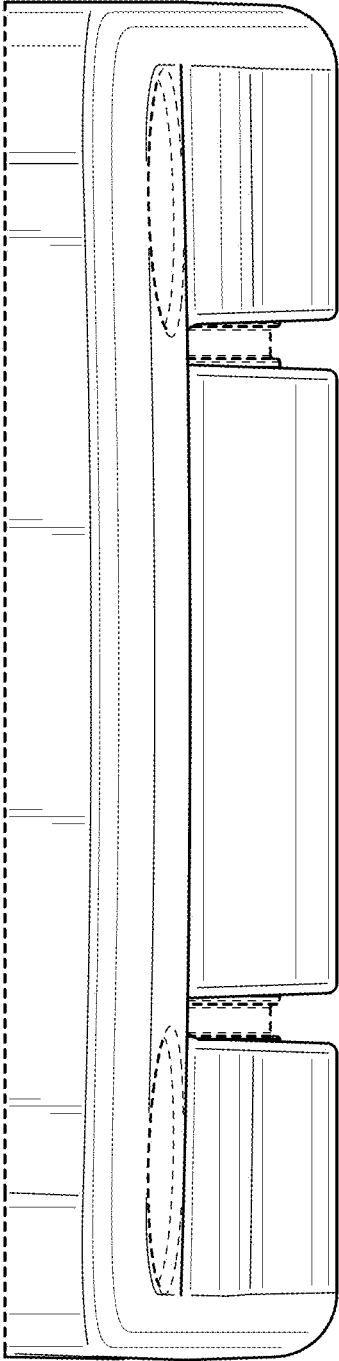


FIG. 7

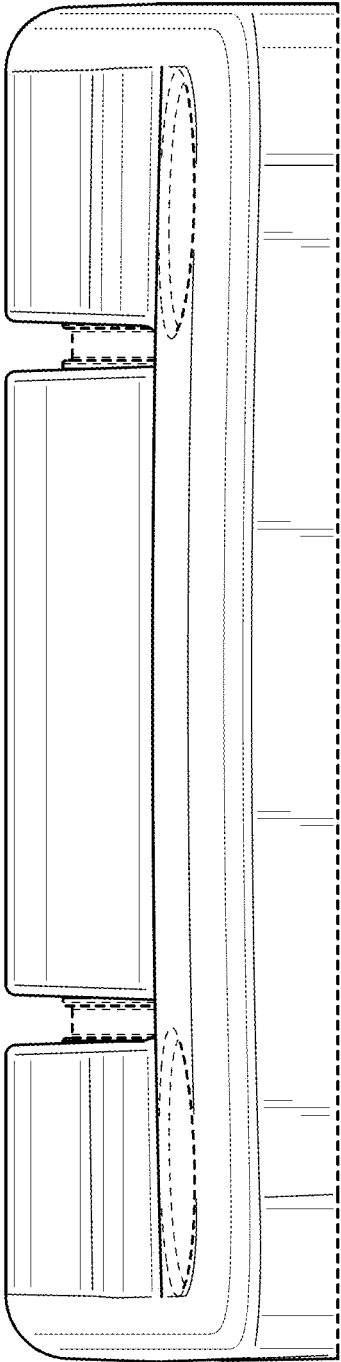


FIG. 8

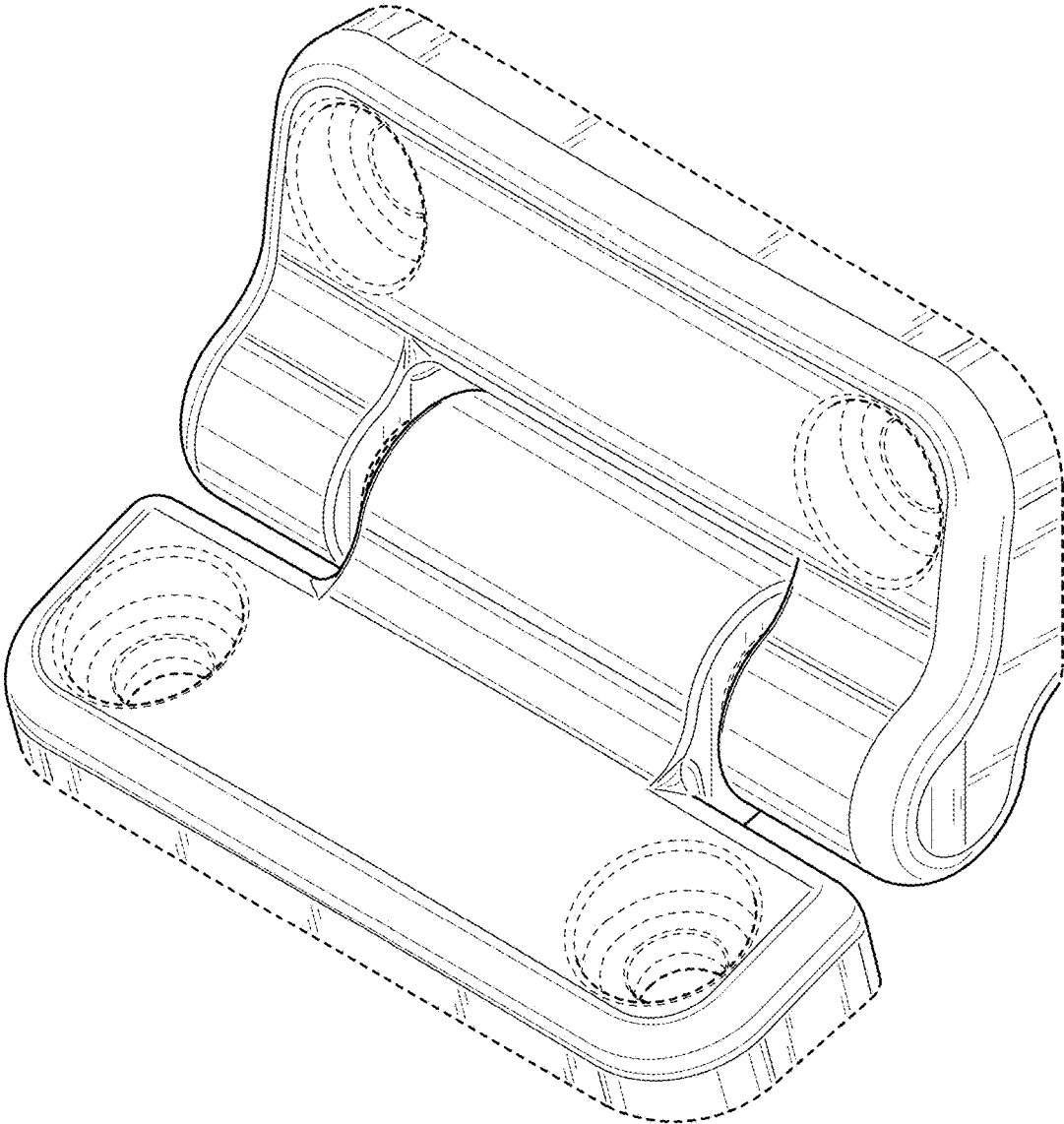


FIG. 9

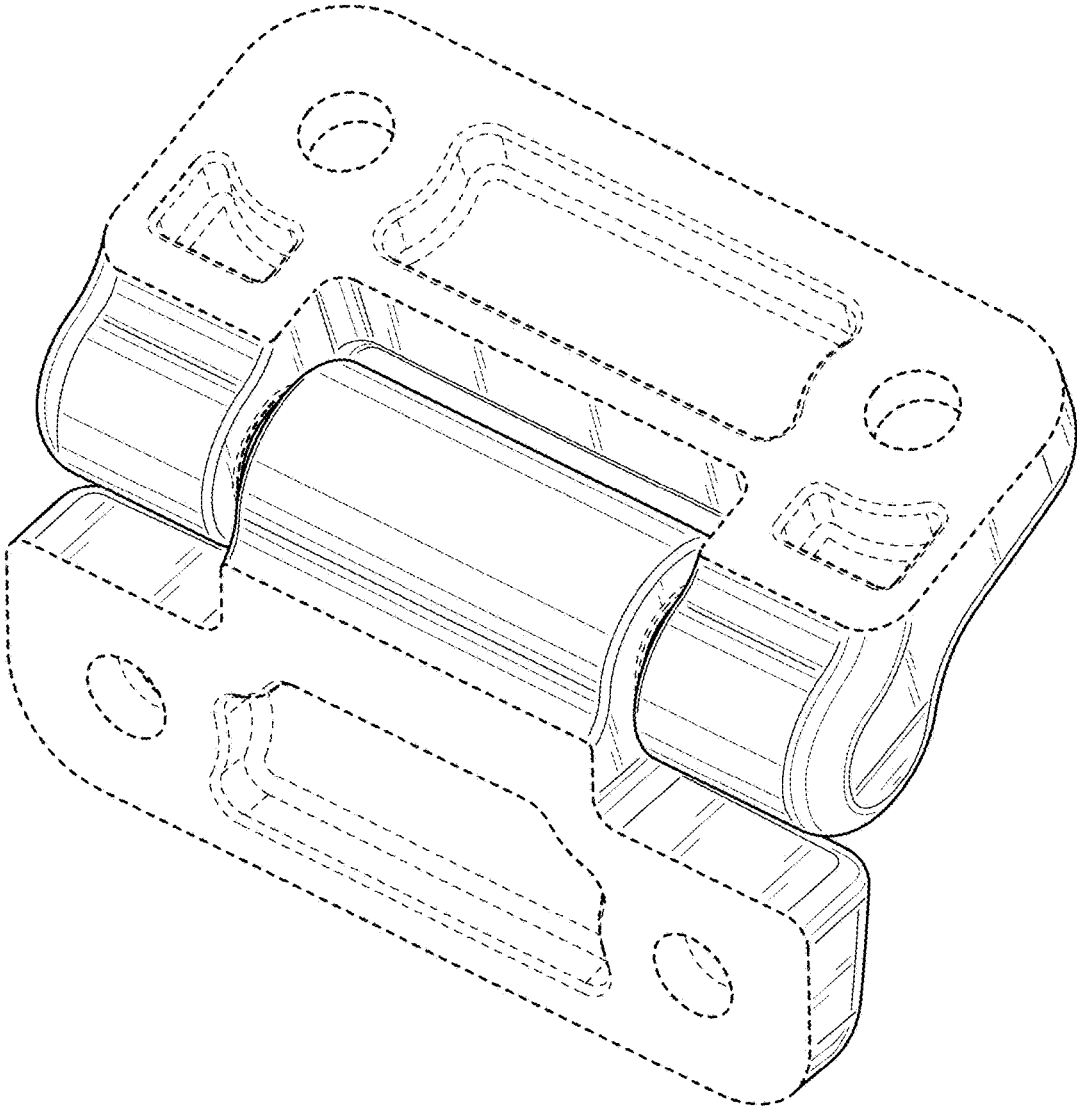


FIG. 10