



US00D709699S

(12) **United States Design Patent**
Hsu

(10) **Patent No.:** **US D709,699 S**

(45) **Date of Patent:** **** Jul. 29, 2014**

(54) **TOOL BOX**

(71) Applicant: **Shao-Hsien Hsu**, Taichung (TW)

(72) Inventor: **Shao-Hsien Hsu**, Taichung (TW)

(**) Term: **14 Years**

(21) Appl. No.: **29/459,930**

(22) Filed: **Jul. 5, 2013**

(51) **LOC (10) Cl.** **03-01**

(52) **U.S. Cl.**

USPC **D3/294; D3/905**

(58) **Field of Classification Search**

CPC B25H 3/003; B25H 1/04

USPC 206/349, 372, 373, 374, 376, 377, 379;

211/70.6; D3/273, 274, 276, 281, 282,

D3/294, 295, 315, 905

See application file for complete search history.

(56) **References Cited**

U.S. PATENT DOCUMENTS

D455,263 S * 4/2002 Schoen et al. D3/282
D474,340 S * 5/2003 Vasudeva D3/282

D668,866 S * 10/2012 Meng D3/273
2011/0247178 A1 * 10/2011 Hsu 16/386
2013/0075292 A1 * 3/2013 Hsu 206/349

* cited by examiner

Primary Examiner — Cathron Brooks

Assistant Examiner — Ethiene Salgado-Rodriguez

(57) **CLAIM**

The ornamental design for a tool box, as shown and described.

DESCRIPTION

FIG. 1 is a perspective view of a tool box showing my new design;

FIG. 2 is a front elevational view thereof;

FIG. 3 is a rear elevational view thereof;

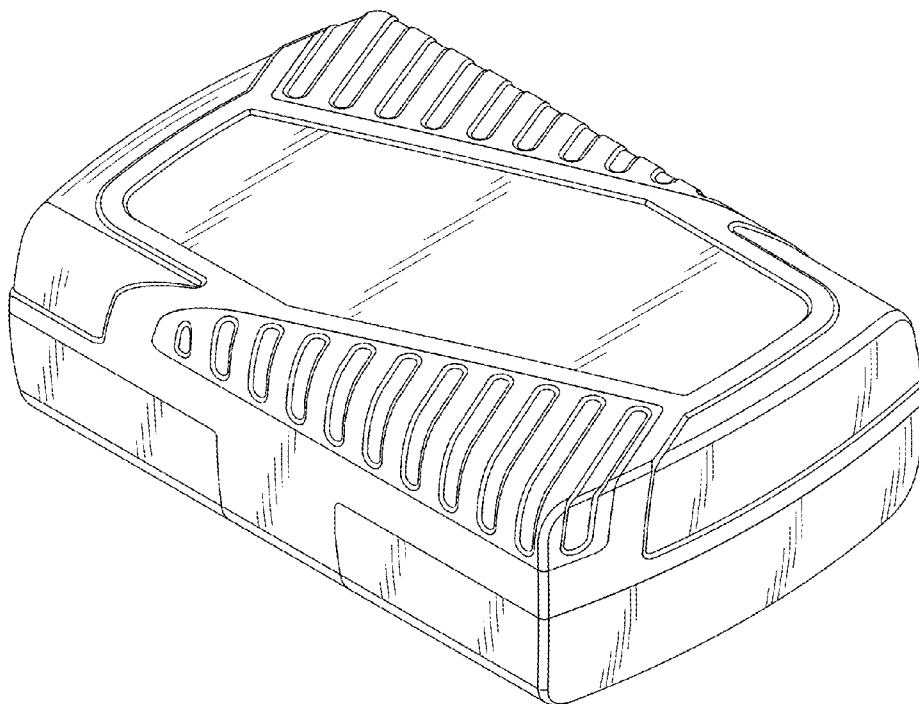
FIG. 4 is a left side view thereof;

FIG. 5 is a right side view thereof;

FIG. 6 is a top plan view thereof; and,

FIG. 7 is a bottom plan view thereof.

1 Claim, 4 Drawing Sheets



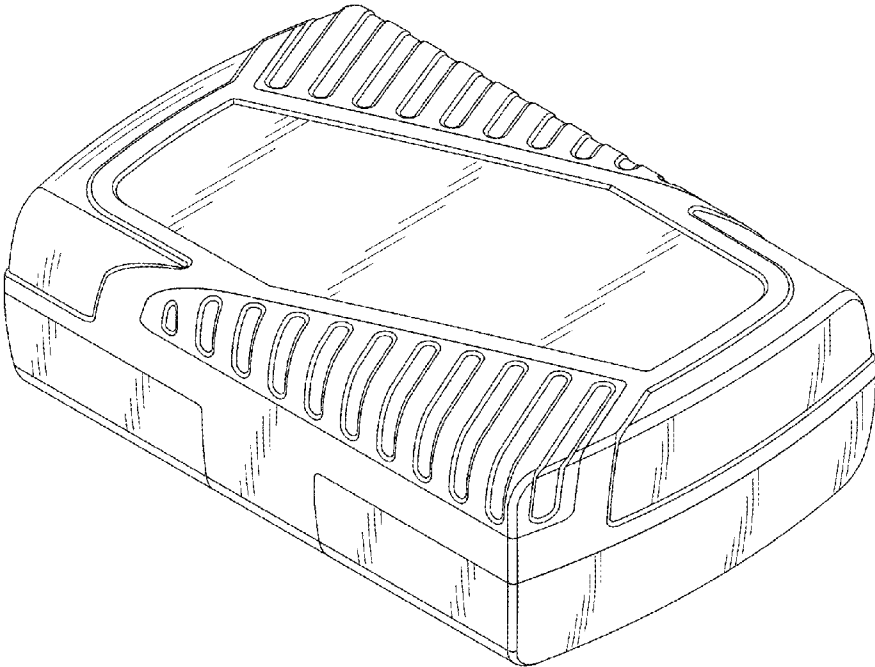


FIG.1

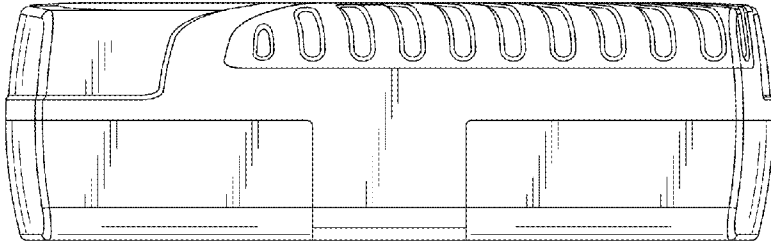


FIG.2

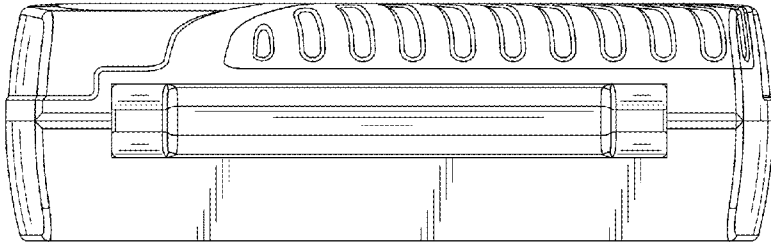


FIG.3

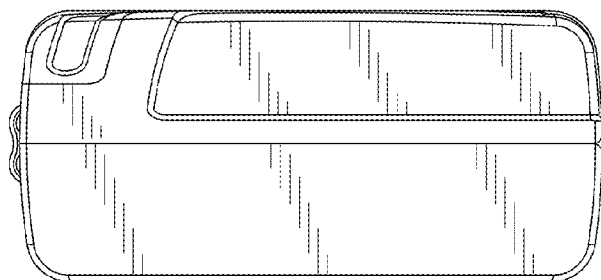


FIG.4

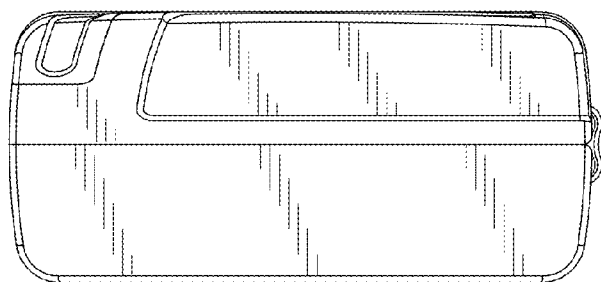


FIG.5

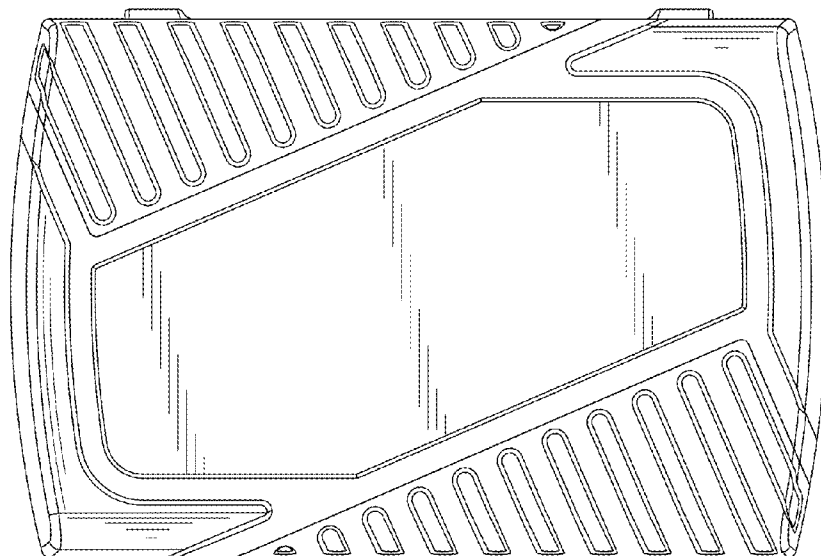


FIG.6

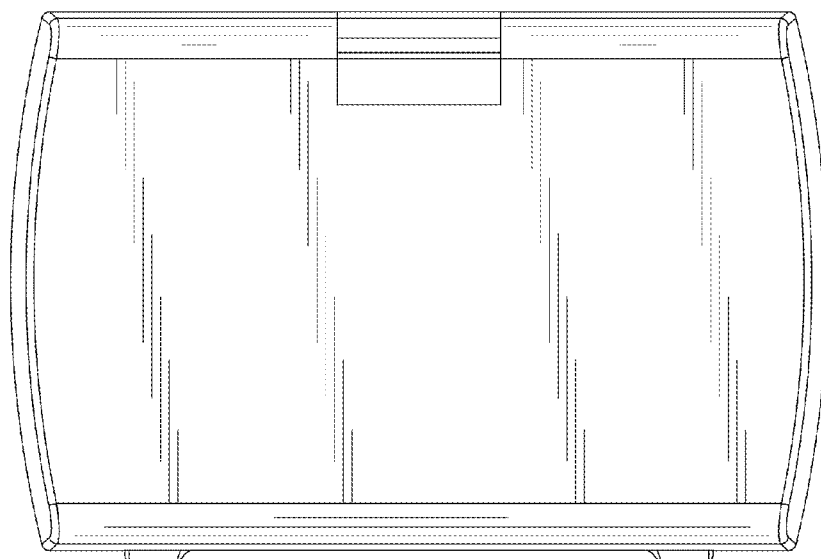


FIG.7