



US0D1014725S

(12) **United States Design Patent**
Shan

(10) **Patent No.:** **US D1,014,725 S**

(45) **Date of Patent:** **** Feb. 13, 2024**

- (54) **WOOD STOVE**
- (71) Applicant: **Guolin Shan**, Hangzhou (CN)
- (72) Inventor: **Guolin Shan**, Hangzhou (CN)
- (**) Term: **15 Years**
- (21) Appl. No.: **29/831,439**
- (22) Filed: **Mar. 21, 2022**
- (51) **LOC (14) Cl.** **23-05**
- (52) **U.S. Cl.**
USPC **D23/343; D7/339**
- (58) **Field of Classification Search**
USPC D23/314, 328, 333, 354, 370–371,
D23/377–383, 387, 392, 411–414, 320,
D23/327, 329–330, 332, 335–350, 386,
D23/398, 402–403; D7/332–334, 340
CPC A47J 33/00; A47J 2037/0777; A47J
37/0704; A47J 37/0763; B24B 1/205;
F24C 1/16
See application file for complete search history.

D968,155 S *	11/2022	Springer	D7/334
D968,868 S *	11/2022	Xia	D23/343
D976,377 S *	1/2023	Thomas	D7/332
D980,664 S *	3/2023	Huang	D23/343
D980,957 S *	3/2023	Hong	D23/332
D981,779 S *	3/2023	Huang	D23/343
D983,949 S *	4/2023	Cuellar	D23/343
11,627,835 B2 *	4/2023	Ngo	A47J 37/0763 126/9 R
D987,794 S *	5/2023	Zemel	D23/338
D995,735 S *	8/2023	Wang	D23/336
D997,322 S *	8/2023	Yang	D23/343

(Continued)

OTHER PUBLICATIONS

Polmoly Wood Stove Sep. 29, 2021 found on Sep. 16, 2022 at:
<https://www.amazon.com/dp/B09HGG1N7Z/> (Year: 2021).*

Primary Examiner — Jennifer Rivard
Assistant Examiner — Jonathan E Fiencke

(57) **CLAIM**

The ornamental design for a wood stove, substantially as shown and described.

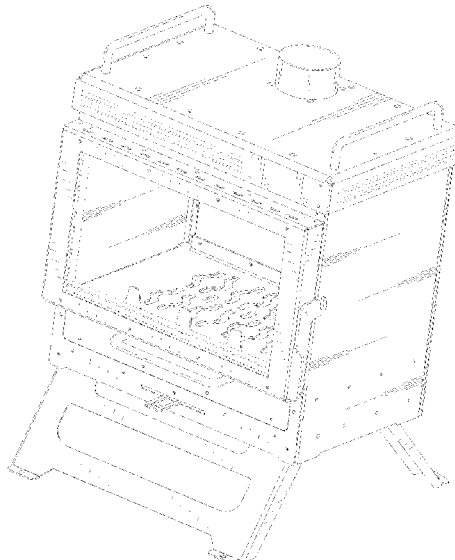
DESCRIPTION

FIG. 1 is a front perspective view of wood stove, showing my new design;
 FIG. 2 is a perspective view thereof, with the stand retracted;
 FIG. 3 is a front view of the wood stove of FIG. 1;
 FIG. 4 is a rear view thereof;
 FIG. 5 is a left side view thereof;
 FIG. 6 is a right side view thereof;
 FIG. 7 is a top view thereof; and,
 FIG. 8 is a bottom view thereof.
 The evenly spaced broken lines depict portions of the wood stove that form no part of the claimed design. The dot dash dot broken lines denote the boundaries of the claim and form no part thereof.

1 Claim, 8 Drawing Sheets

(56) **References Cited**
U.S. PATENT DOCUMENTS

4,911,140 A *	3/1990	Robinson	F24B 1/205 126/9 R
D359,115 S *	6/1995	Schroeter	F24B 1/26 D23/343
6,035,768 A *	3/2000	Kaufman	A47J 37/0763 99/449
D450,822 S *	11/2001	Mills	D23/343
D888,916 S *	6/2020	Blouin	D23/346
D938,003 S	12/2021	Ming	
D942,203 S *	2/2022	Jiang	D7/339
D942,796 S *	2/2022	Jiang	D7/339
D944,584 S *	3/2022	Jiang	D23/343
D950,298 S *	5/2022	Yang	F24B 1/205 D7/339
D952,390 S *	5/2022	Magee	D7/334
D952,391 S *	5/2022	Yang	D7/339



(56)

References Cited

U.S. PATENT DOCUMENTS

2017/0013999	A1*	1/2017	Horsfield	A47J 37/0763
2022/0160166	A1*	5/2022	Zhang	F24B 1/26
2023/0243507	A1*	8/2023	Cole	F24B 5/026
				431/10

* cited by examiner

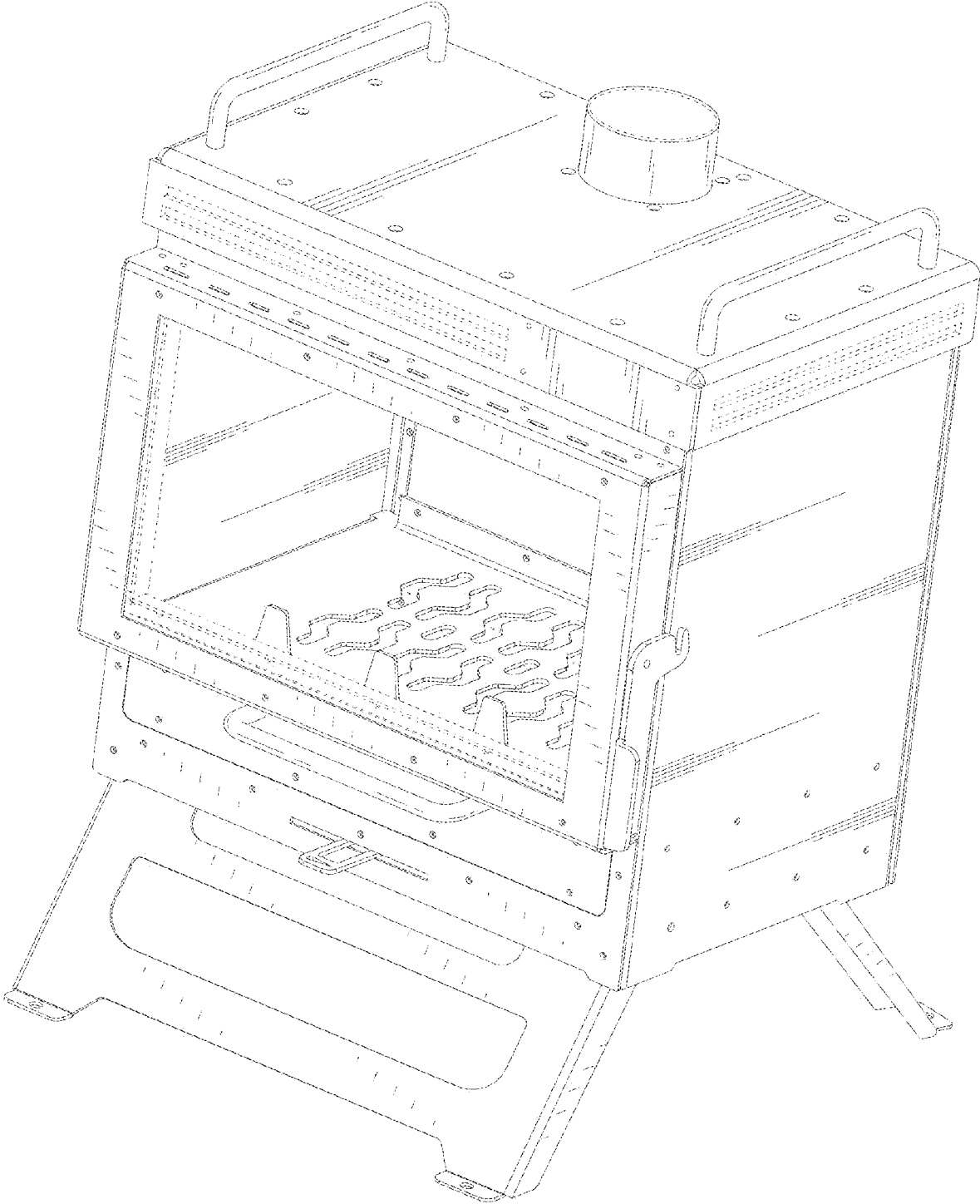


FIG. 1

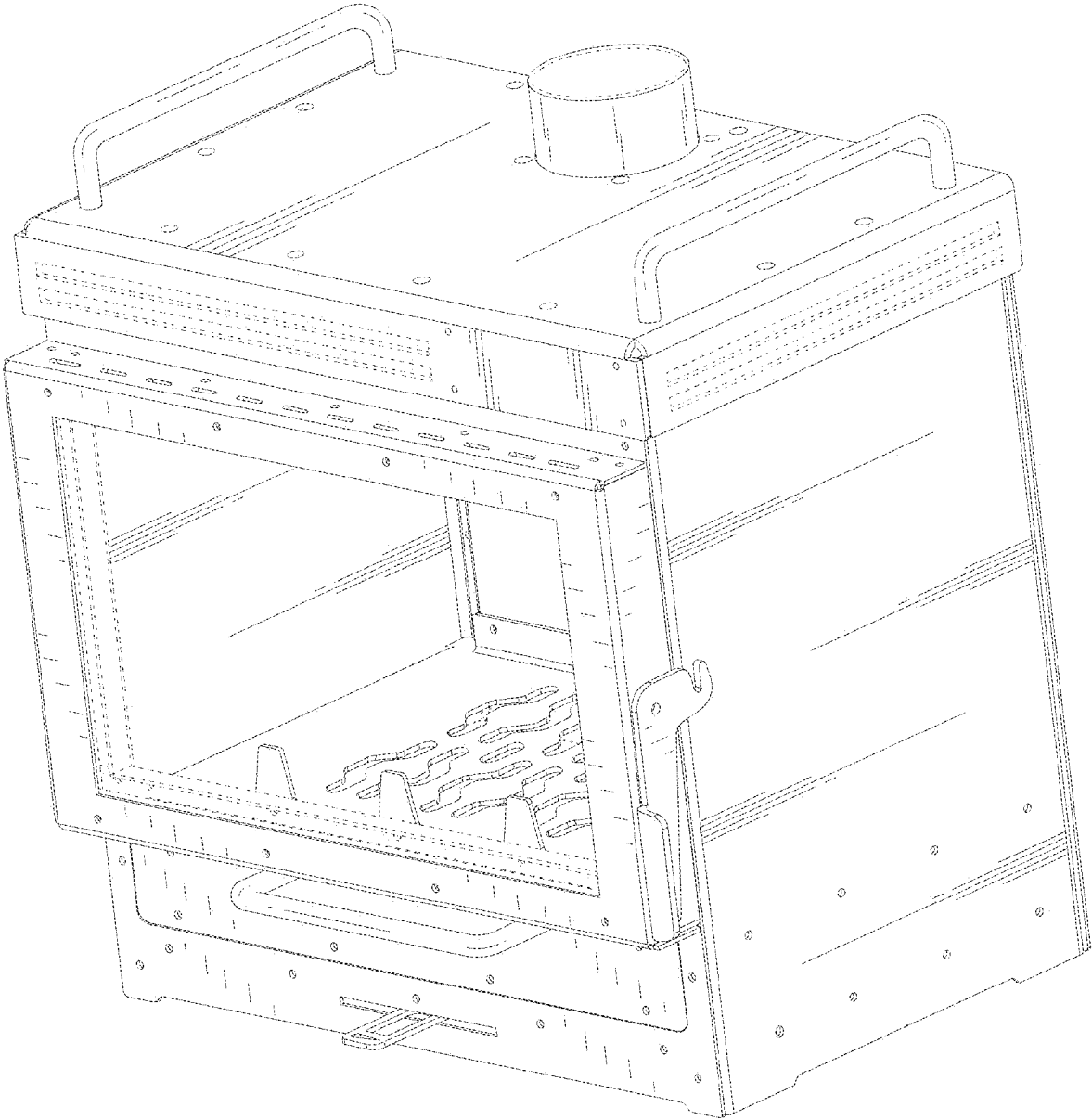


FIG. 2

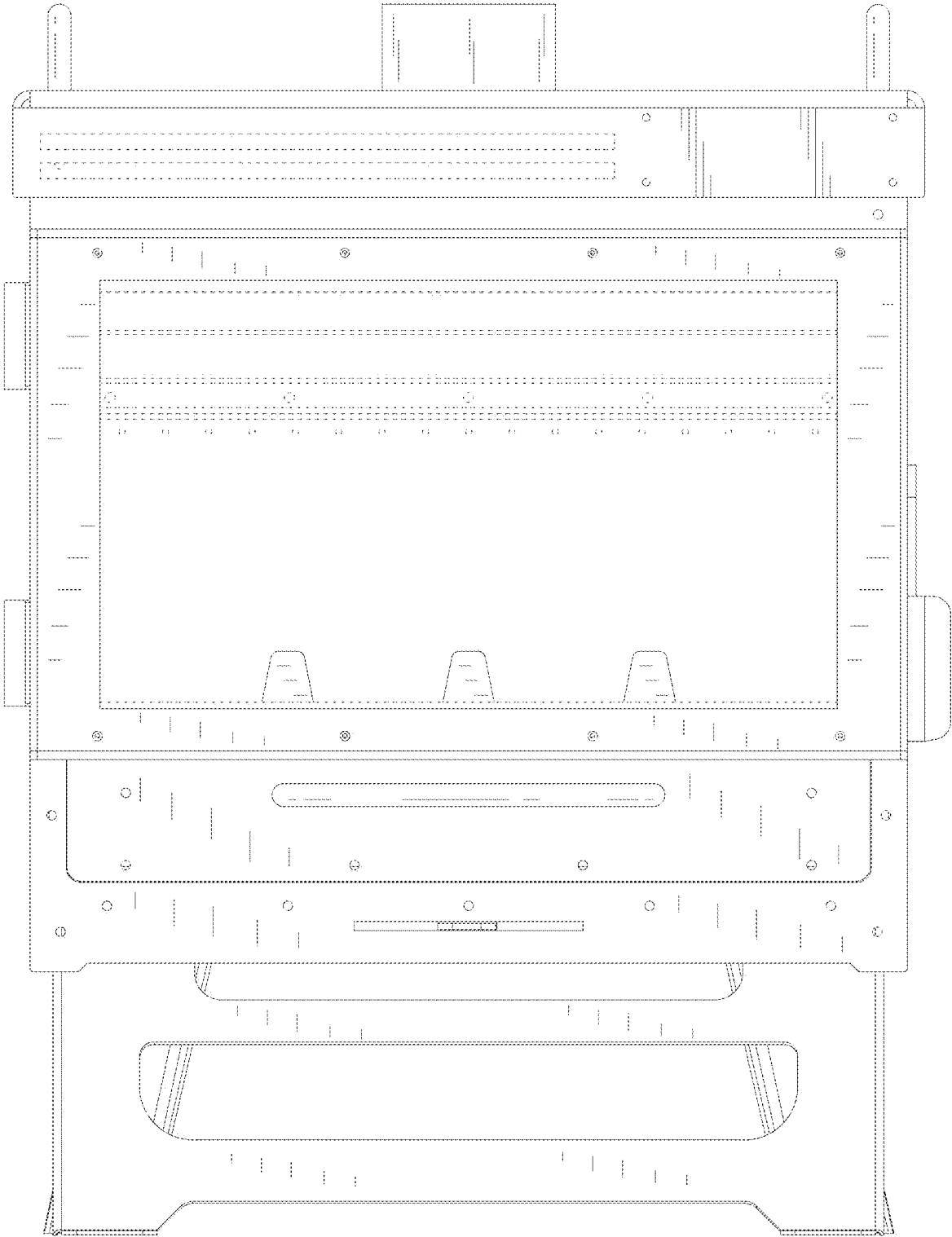


FIG. 3

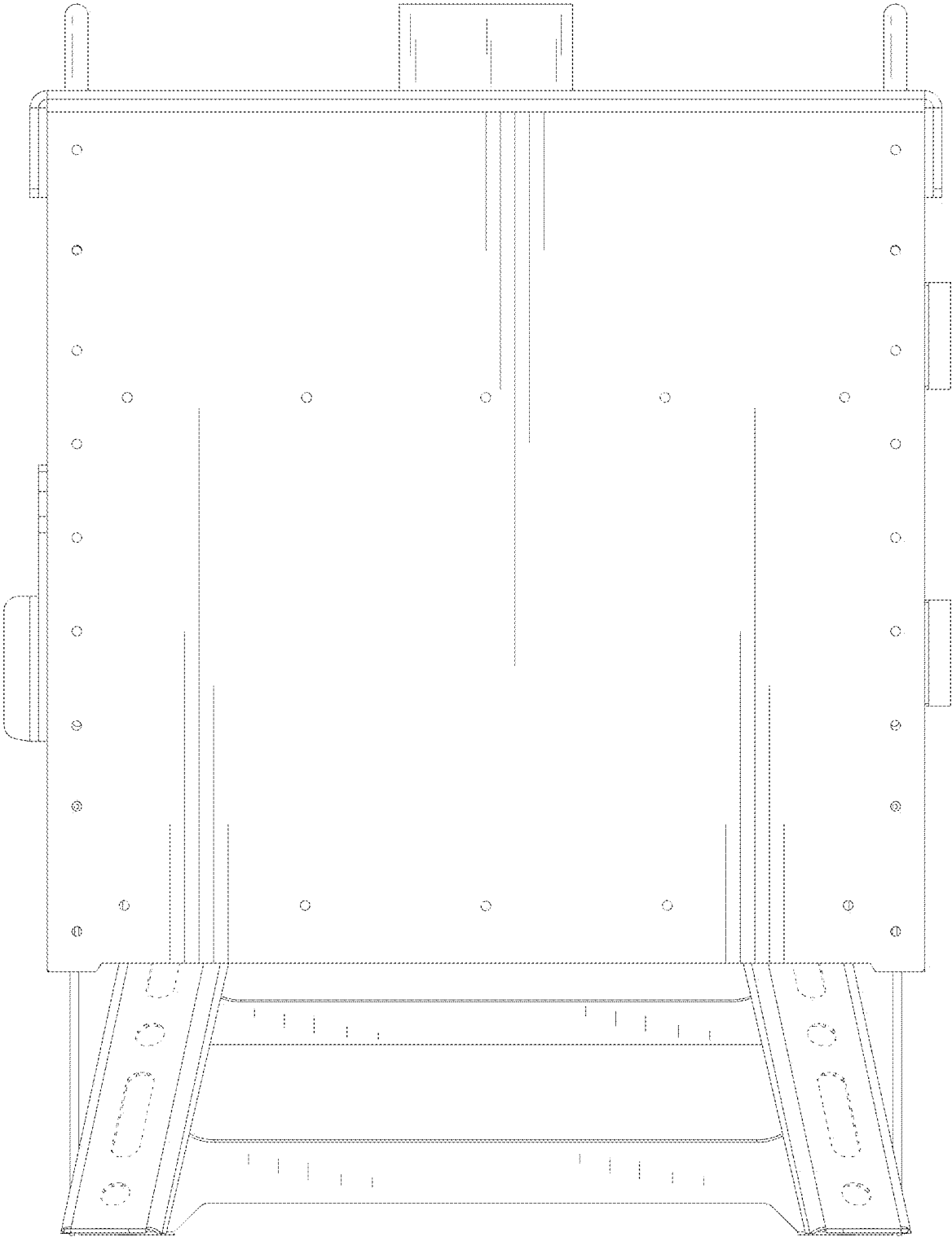


FIG. 4

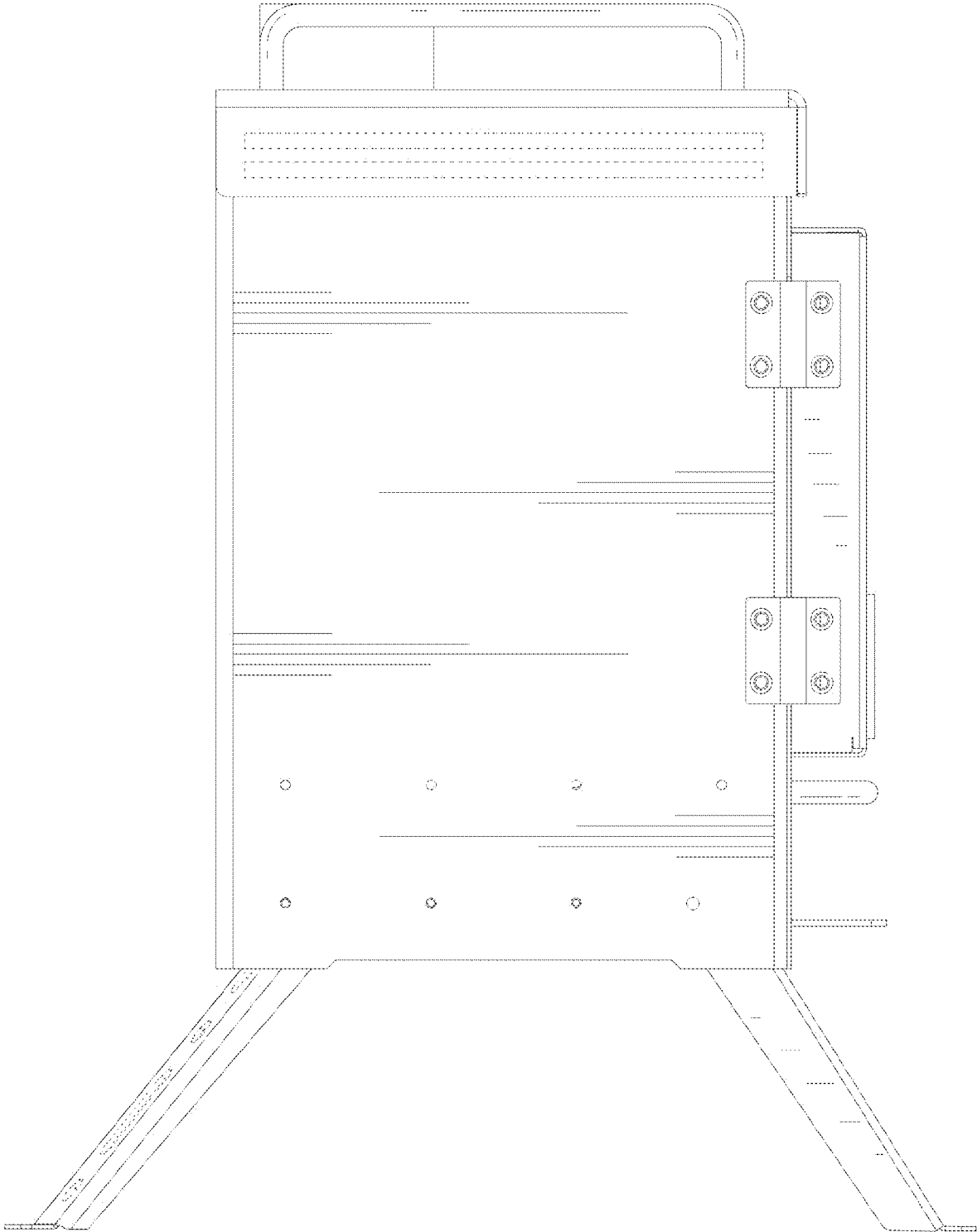


FIG. 5

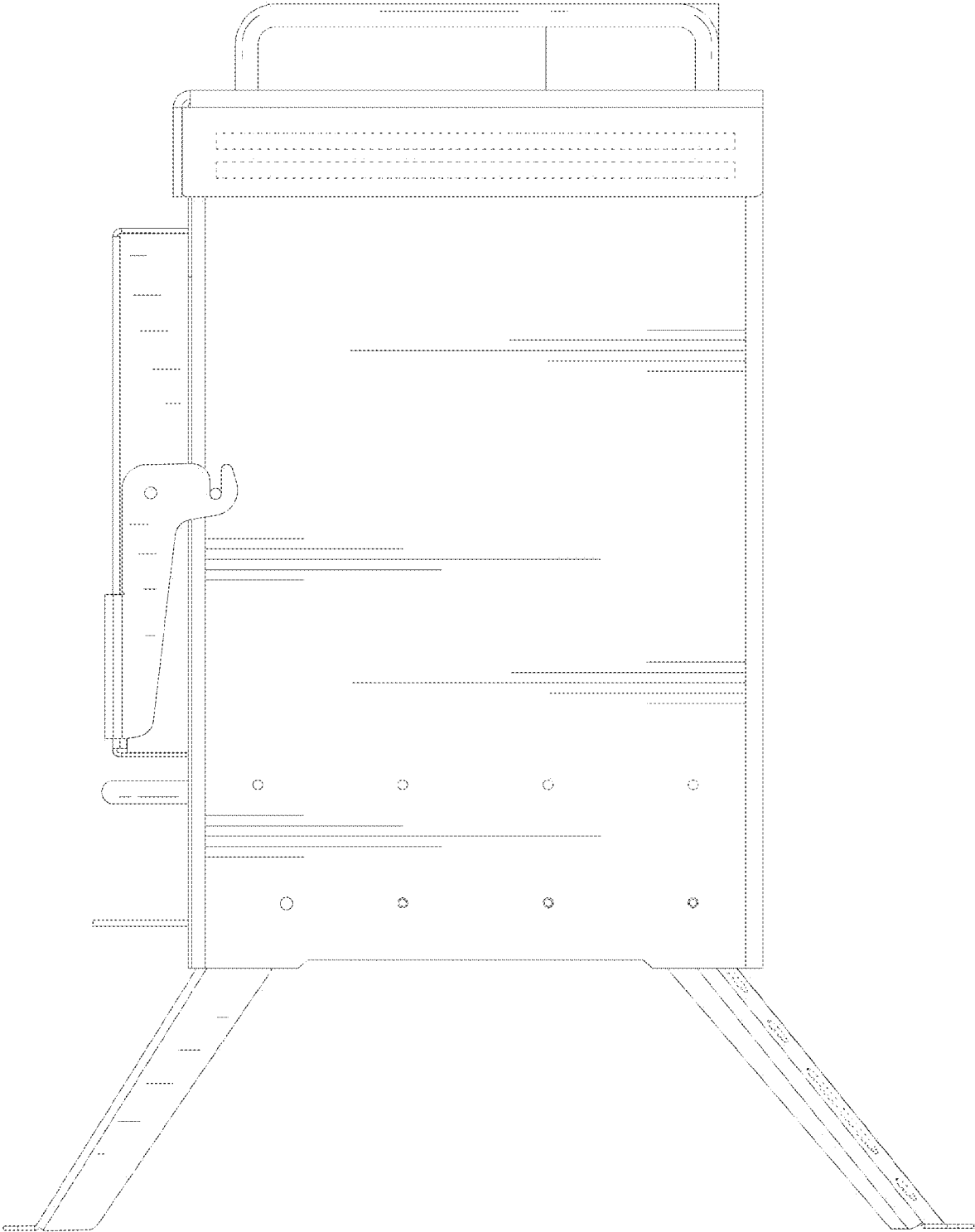


FIG. 6

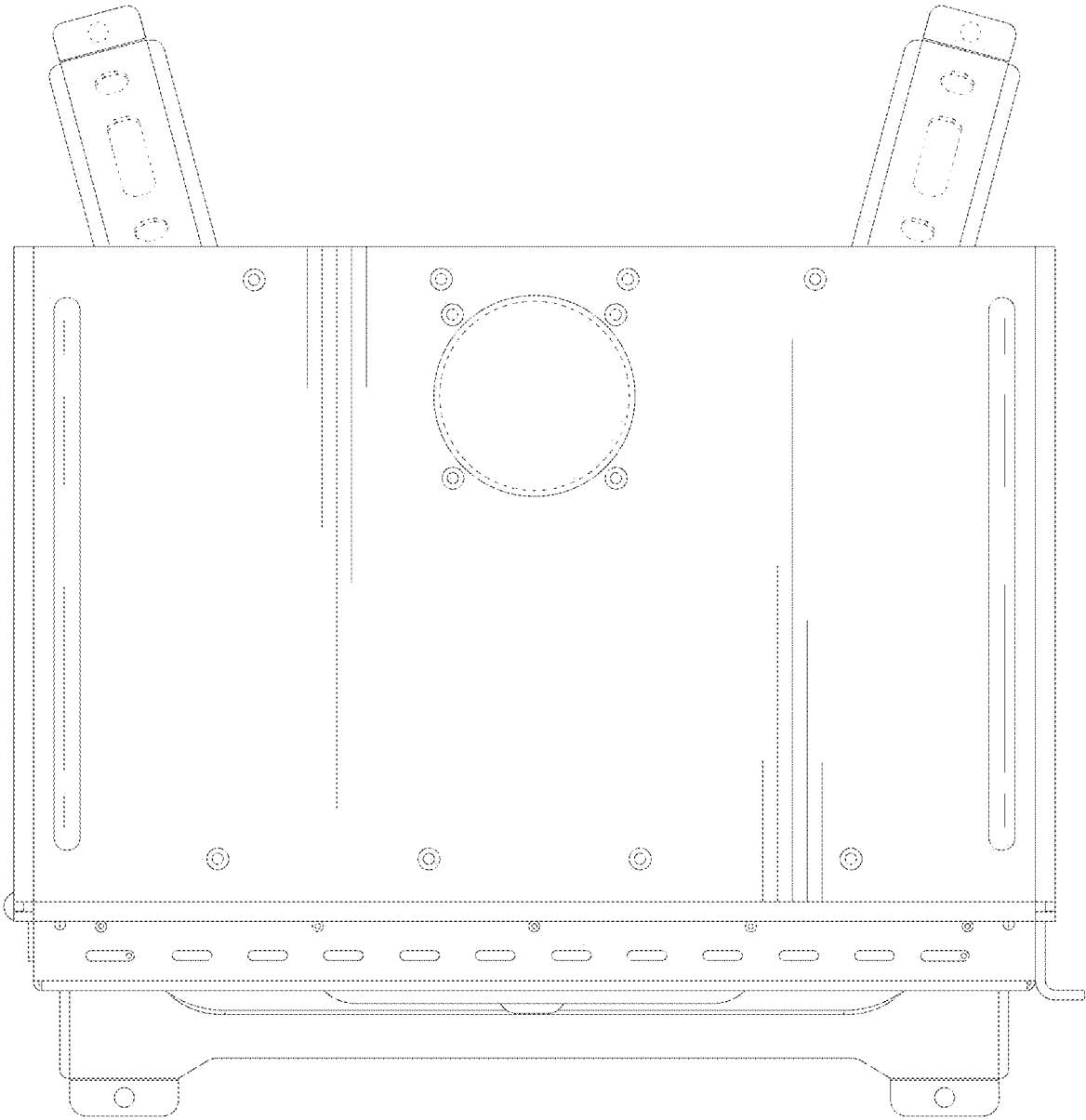


FIG. 7

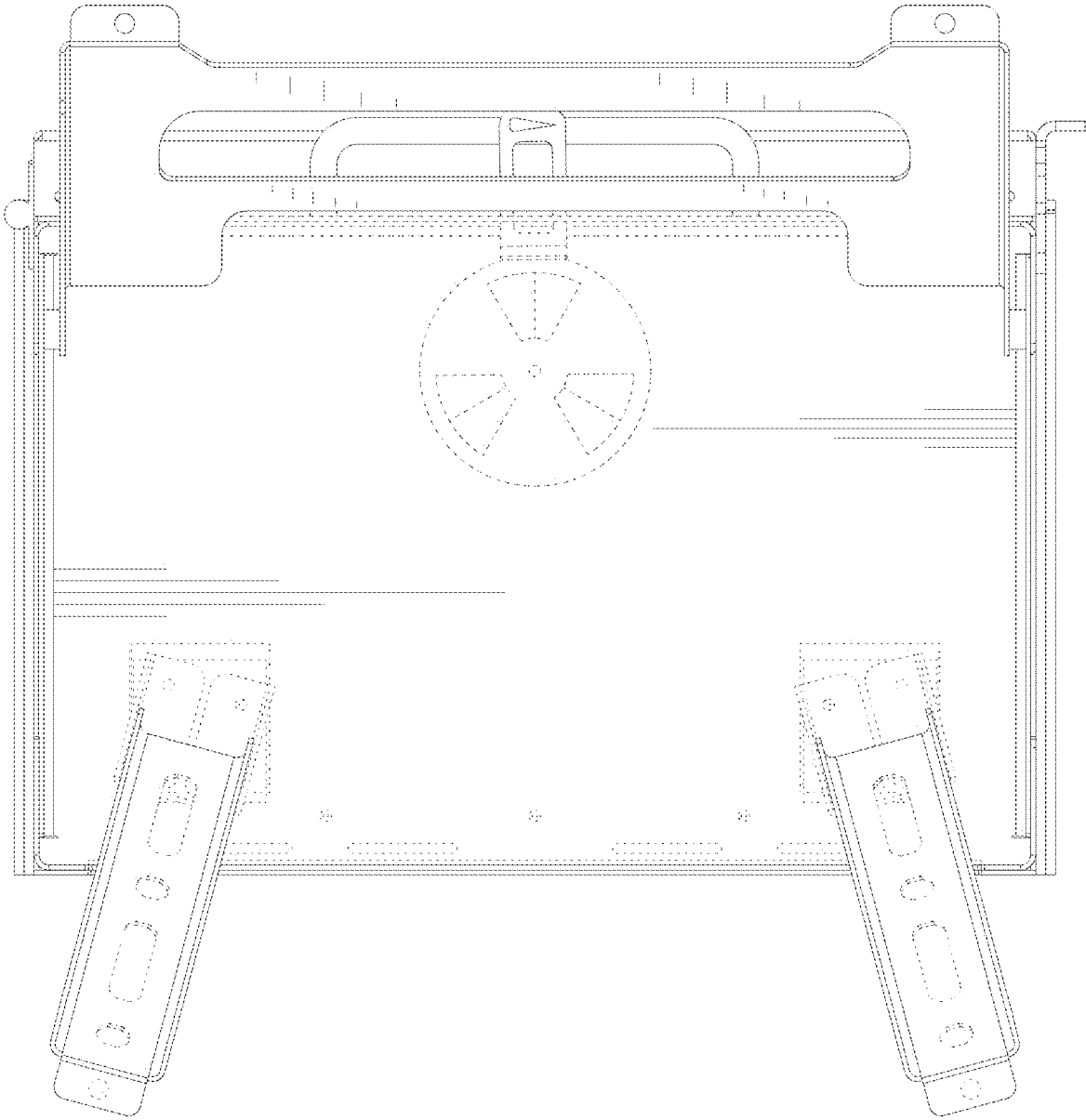


FIG. 8