

(19) World Intellectual Property
Organization
International Bureau



(43) International Publication Date
15 January 2004 (15.01.2004)

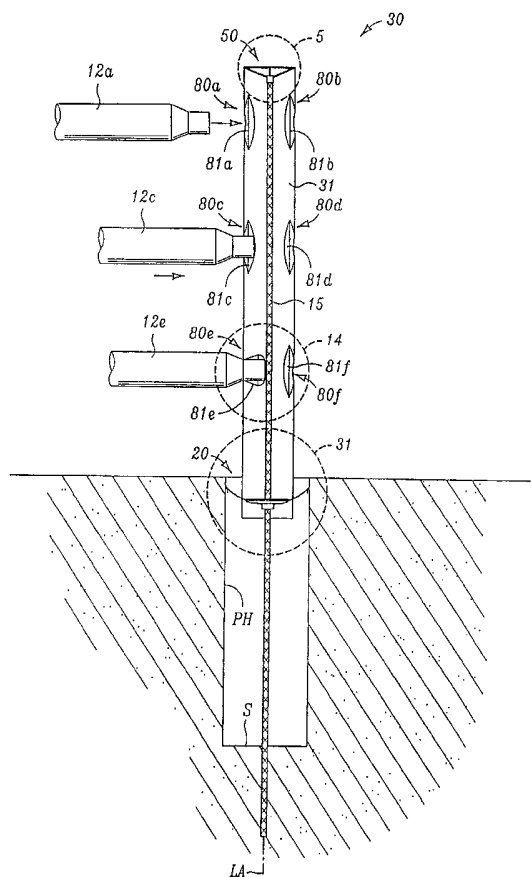
PCT

(10) International Publication Number
WO 2004/005632 A3

- (51) International Patent Classification⁷: E04C 03/30, US 10/264,094 (CON)
03/34, 03/36 Filed on 2 October 2002 (02.10.2002)
- (21) International Application Number: PCT/US2003/021053 US Not furnished (CON)
Filed on 2 July 2003 (02.07.2003)
- (22) International Filing Date: 3 July 2003 (03.07.2003) (71) Applicant and
(72) Inventor: McENROE, John, D., Jr. [US/US]; 8514 Track
Road, Nampa, ID 83686 (US).
- (25) Filing Language: English (74) Agent: HOLLAND, Joseph, W.; HOLLAND & THIEL,
P.C., P.O. Box 1840, Boise, ID 83701-1840 (US).
- (26) Publication Language: English (81) Designated States (national): AE, AG, AL, AM, AT, AU,
AZ, BA, BB, BG, BR, BY, BZ, CA, CH, CN, CO, CR, CU,
CZ, DE, DK, DM, DZ, EC, EE, ES, FI, GB, GD, GE, GH,
GM, HR, HU, ID, IL, IN, IS, JP, KE, KG, KP, KR, KZ, LC,
LK, LR, LS, LT, LU, LV, MA, MD, MG, MK, MN, MW,
MX, MZ, NO, NZ, OM, PH, PL, PT, RO, RU, SC, SD, SE,
SG, SK, SL, TJ, TM, TN, TR, TT, TZ, UA, UG, US, UZ,
VC, VN, YU, ZA, ZM, ZW.
- (30) Priority Data:
60/394,638 8 July 2002 (08.07.2002) US
10/264,094 2 October 2002 (02.10.2002) US
10/613,900 2 July 2003 (02.07.2003) US
- (63) Related by continuation (CON) or continuation-in-part
(CIP) to earlier applications:
US 60/394,638 (CON)
Filed on 8 July 2002 (08.07.2002)

[Continued on next page]

(54) Title: CASTING FORM FOR A CAST-IN-PLACE STRUCTURAL ELEMENT



(57) Abstract: A casting form (30) including a pliable tubular segment (31) and a form suspension assembly (50) attachable to the pliable tubular segment (31) and a structural support member (15) for suspending the pliable tubular segment (31) from the form suspension assembly (50).

WO 2004/005632 A3



(84) Designated States (regional): ARIPO patent (GH, GM, KE, LS, MW, MZ, SD, SL, SZ, TZ, UG, ZM, ZW), Eurasian patent (AM, AZ, BY, KG, KZ, MD, RU, TJ, TM), European patent (AT, BE, BG, CH, CY, CZ, DE, DK, EE, ES, FI, FR, GB, GR, HU, IE, IT, LU, MC, NL, PT, RO, SE, SI, SK, TR), OAPI patent (BF, BJ, CF, CG, CI, CM, GA, GN, GQ, GW, ML, MR, NE, SN, TD, TG).

— *before the expiration of the time limit for amending the claims and to be republished in the event of receipt of amendments*

(88) Date of publication of the international search report:
8 July 2004

Published:

— *with international search report*

For two-letter codes and other abbreviations, refer to the "Guidance Notes on Codes and Abbreviations" appearing at the beginning of each regular issue of the PCT Gazette.

INTERNATIONAL SEARCH REPORT

International application No.
PCT/US03/21053

A. CLASSIFICATION OF SUBJECT MATTER
 IPC(7) : E04C 03/30 03/34 03/36;
 US CL : 249/48,51,61,90,95; 52/745.17,745.14; 405/233,239; 256/19,65.02,65.14
 According to International Patent Classification (IPC) or to both national classification and IPC

B. FIELDS SEARCHED
 Minimum documentation searched (classification system followed by classification symbols)
 U.S. : 256/19,65.02,65.01,65.14

Documentation searched other than minimum documentation to the extent that such documents are included in the fields searched

Electronic data base consulted during the international search (name of data base and, where practicable, search terms used)

C. DOCUMENTS CONSIDERED TO BE RELEVANT

Category *	Citation of document, with indication, where appropriate, of the relevant passages	Relevant to claim No.
X	US 3,024,512 A (DYER) 13 March 1962 (13.03.1962), entire document	1,2,4
X	US 6,341,453 B1 (CHOLLEY) 29 January 2002 (29.01.2002), entire document .	1,3,4
X	US 4,047,356 A (DEPIRRO) 13 September 1977 (13.09.1977), entire document.	1,3,5-7
A	US 1,901,392 A (FREDERICK) 14 March 1933 (14.03.1933).	
A	US 4,604,250 A (ECKER) 5 August 1986 (05.08.1986).	
A	US 4,624,439 A (AGUILERA) 25 November 1986 (25.11.1986).	
A	US 5,580,480 A (CHATELAIN) 3 December 1996 (03.12.1996).	
A	US 5,946,881 A (CHATELAIN) 7 September 1999 (07.09.1999).	

Further documents are listed in the continuation of Box C. See patent family annex.

* Special categories of cited documents:		
"A" document defining the general state of the art which is not considered to be of particular relevance	"T"	later document published after the international filing date or priority date and not in conflict with the application but cited to understand the principle or theory underlying the invention
"E" earlier application or patent published on or after the international filing date	"X"	document of particular relevance; the claimed invention cannot be considered novel or cannot be considered to involve an inventive step when the document is taken alone
"L" document which may throw doubts on priority claim(s) or which is cited to establish the publication date of another citation or other special reason (as specified)	"Y"	document of particular relevance; the claimed invention cannot be considered to involve an inventive step when the document is combined with one or more other such documents, such combination being obvious to a person skilled in the art
"O" document referring to an oral disclosure, use, exhibition or other means		
"P" document published prior to the international filing date but later than the priority date claimed	"&"	document member of the same patent family

Date of the actual completion of the international search 29 August 2003 (29.08.2003)	Date of mailing of the international search report 28 APR 2004
--	--

Name and mailing address of the ISA/US Mail Stop PCT, Attn: ISA/US Commissioner for Patents P.O. Box 1450 Alexandria, Virginia 22313-1450 Facsimile No. (703)305-3230	Authorized officer Lynne H Browne <i>Victor Boton for</i> Telephone No. 703-308-2168
--	--