



US00D997506S

(12) **United States Design Patent**
Truelsen

(10) **Patent No.:** **US D997,506 S**

(45) **Date of Patent:** **** Sep. 5, 2023**

(54) **FOOTWEAR**

(71) Applicant: **ECCO Sko A/S**, Bredebro (DK)

(72) Inventor: **Ejnar Truelsen**, Tonder (DK)

(73) Assignee: **ECCO SKO A/S**, Bredebro (DK)

(**) Term: **15 Years**

(21) Appl. No.: **29/779,166**

(22) Filed: **Apr. 16, 2021**

(51) **LOC (14) Cl.** **02-04**

(52) **U.S. Cl.** **D2/947**
USPC **D2/947**

(58) **Field of Classification Search**

USPC D2/896, 900, 902, 904, 906–908,
D2/916–924, 925–945, 947–960, 969–979
CPC A43B 1/00; A43B 1/02; A43B 1/04; A43B
3/00; A43B 3/02; A43B 3/06; A43B 3/10;
A43B 3/12; A43B 3/14; A43B 5/00;
A43B 5/001; A43B 5/008; A43B 5/06;
A43B 5/10; A43B 5/12; A43B 23/00;
A43B 23/02; A43B 23/04

See application file for complete search history.

(56) **References Cited**

U.S. PATENT DOCUMENTS

D325,289	S	*	4/1992	Aveni	D2/977
D334,832	S	*	4/1993	Hatfield	D2/977
D418,282	S	*	1/2000	von Conta	D2/977
D778,553	S	*	2/2017	DeAlmeida	D2/947
D783,960	S	*	4/2017	Hatfield	D2/947
D794,287	S	*	8/2017	Raasch	D2/947
D817,611	S	*	5/2018	Small	D2/947
D817,612	S	*	5/2018	Small	D2/947
D822,349	S	*	7/2018	Petrenka	D2/947
D841,297	S	*	2/2019	Small	D2/947
D841,298	S	*	2/2019	Small	D2/947
D851,877	S	*	6/2019	Small	D2/947
D860,598	S	*	9/2019	Small	D2/947
D860,599	S	*	9/2019	Small	D2/947

D860,600	S	*	9/2019	Small	D2/947
D895,239	S	*	9/2020	Murphy-Reinhertz	D2/947
D897,090	S	*	9/2020	Small	D2/972
D899,038	S	*	10/2020	Thompson	D2/947
D901,146	S	*	11/2020	Schultze	D2/947
D905,390	S	*	12/2020	Hong	D2/947

(Continued)

OTHER PUBLICATIONS

SS22 Ecco Biom 2.1 X Country—YouTube, posted Mar. 1, 2022 [online], [retrieved May 2, 2023]. Retrieved from internet, https://www.youtube.com/watch?v=Xop0T_xJFeY (Year: 2023).*

(Continued)

Primary Examiner — Jonathan J Han

Assistant Examiner — Christen Pilar Brown

(74) *Attorney, Agent, or Firm* — FINNEGAN,
HENDERSON, FARABOW, GARRETT & DUNNER
LLP

(57) **CLAIM**

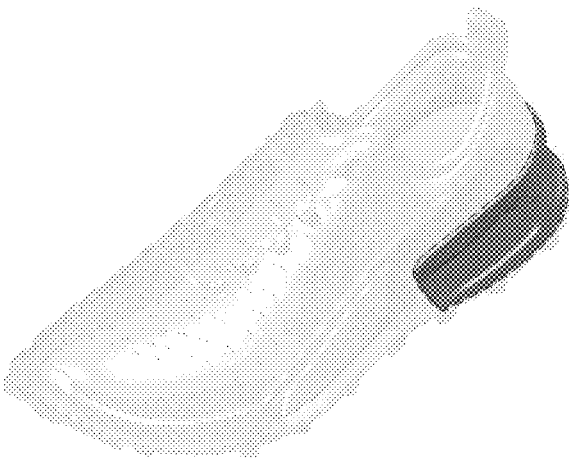
The ornamental design for footwear, as shown and described.

DESCRIPTION

FIG. 1 is a top, front perspective view of a footwear showing the new design;
FIG. 2 is a bottom, rear perspective view thereof;
FIG. 3 is a front elevation view thereof;
FIG. 4 is a rear elevation view thereof;
FIG. 5 is a right side view thereof;
FIG. 6 is a left side view thereof;
FIG. 7 is a top plan view thereof; and,
FIG. 8 is a bottom plan view.

The dot-dash lines illustrate the boundary of the claimed design and form no part thereof. The portions of the figures outside of the dot-dash line shown in lighter contrast illustrate other portions of the footwear and form no part of the claimed design.

1 Claim, 8 Drawing Sheets



(56)

References Cited

U.S. PATENT DOCUMENTS

D905,392 S * 12/2020 Papp D2/947
D905,394 S * 12/2020 Schultze D2/947
D933,342 S * 10/2021 Truelsen D2/947
D943,878 S * 2/2022 Truelsen D2/947

OTHER PUBLICATIONS

Ecco Womens Biom 2.1 X Country Leather Trainers—Avenue 85, posted [online], [retrieved May 2, 2023]. Retrieved from internet, <https://avenue85.co.uk/products/ecco-womens-biom-2-1-x-country-leather-trainers> (Year: 2023).*

* cited by examiner



FIG. 1

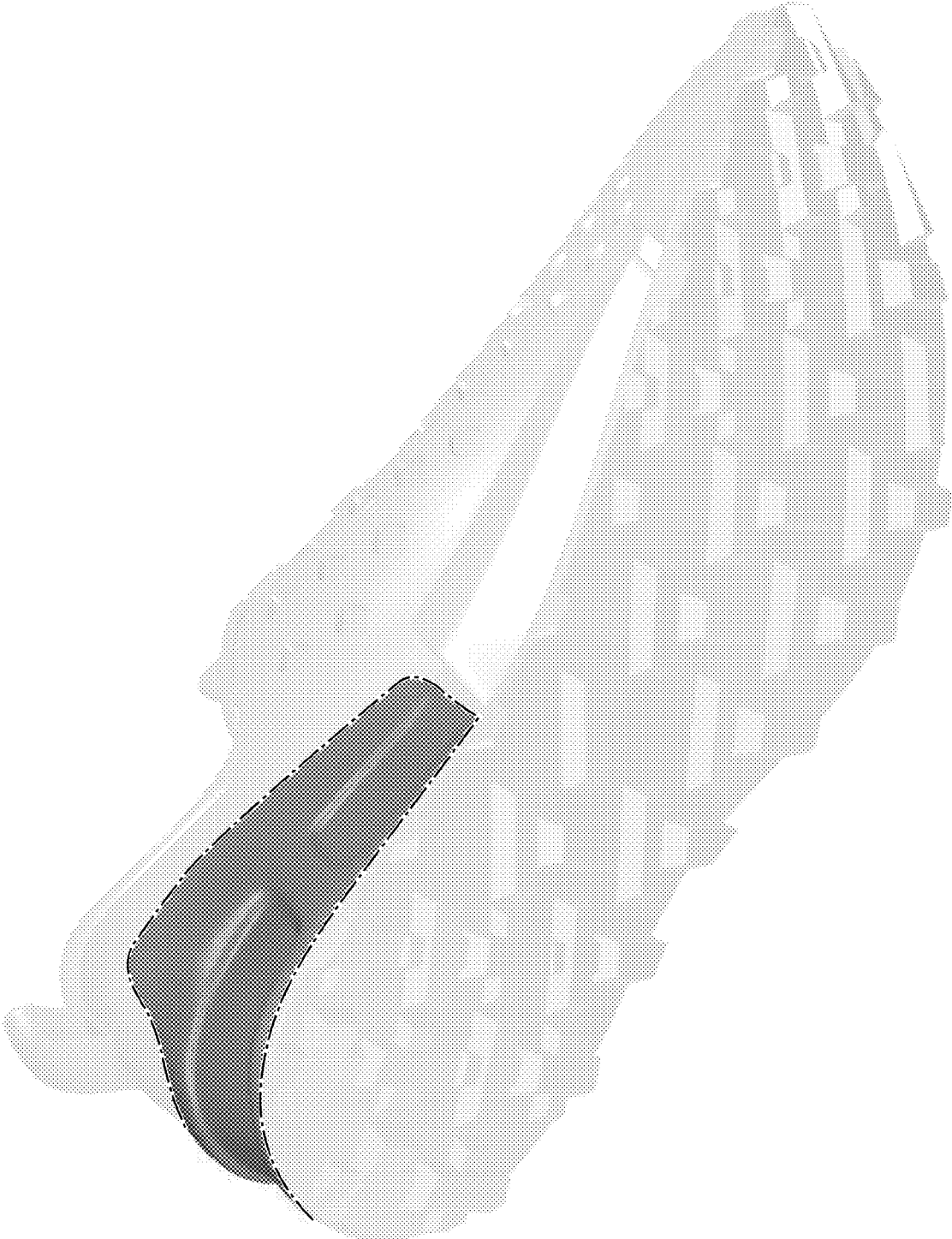


FIG. 2

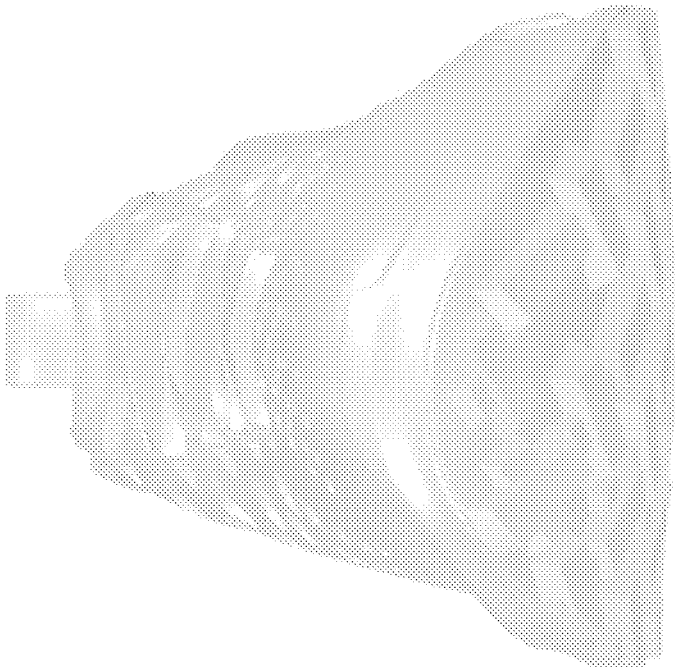


FIG. 3

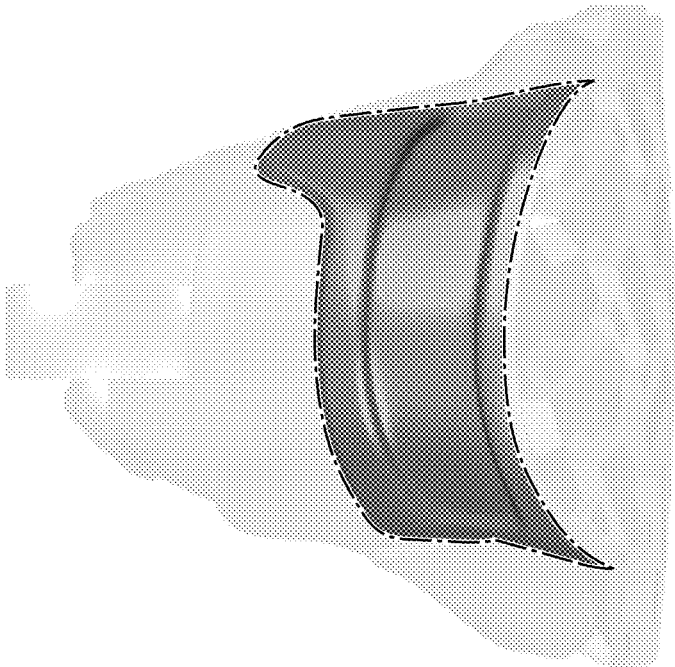


FIG. 4

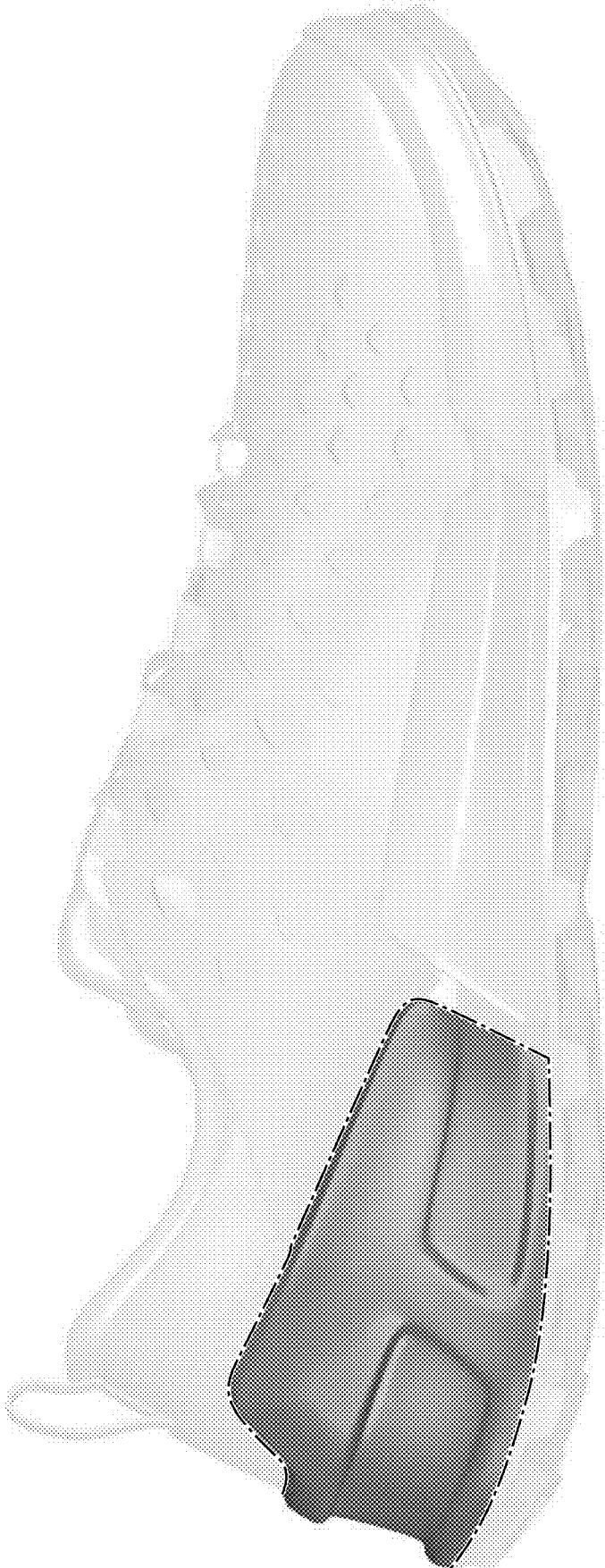


FIG. 5

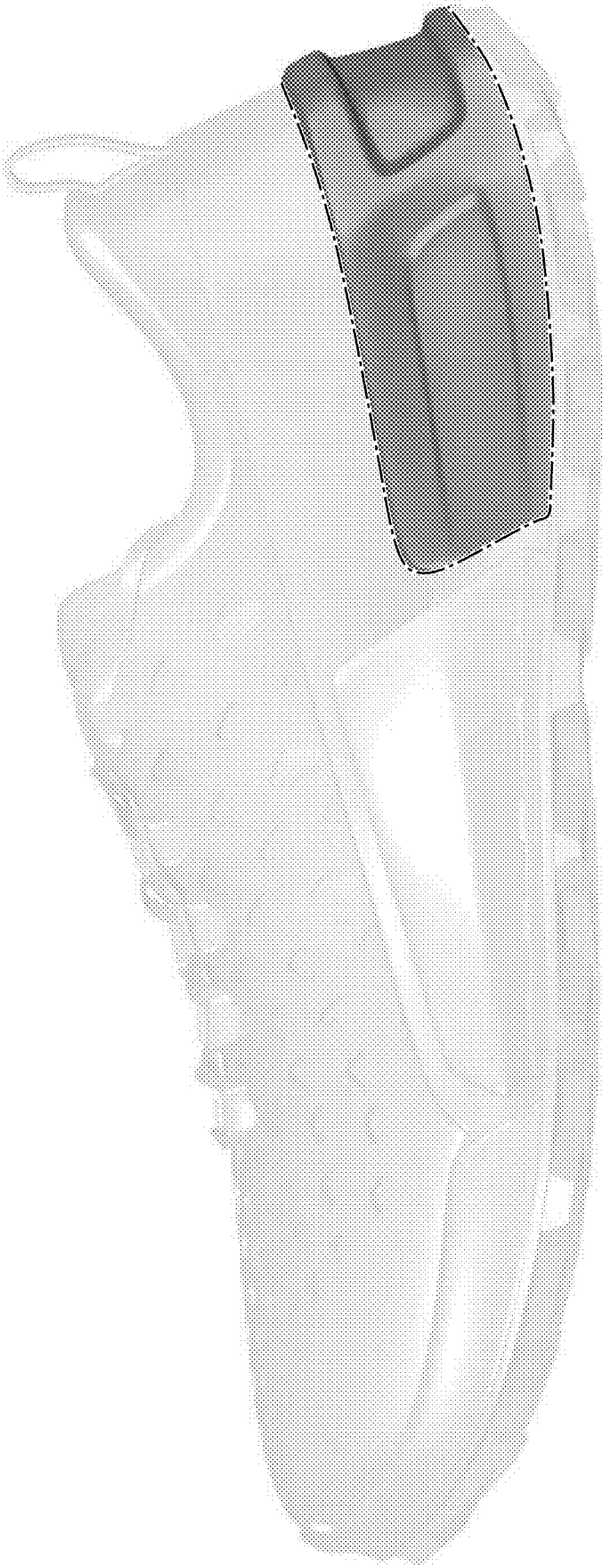


FIG. 6

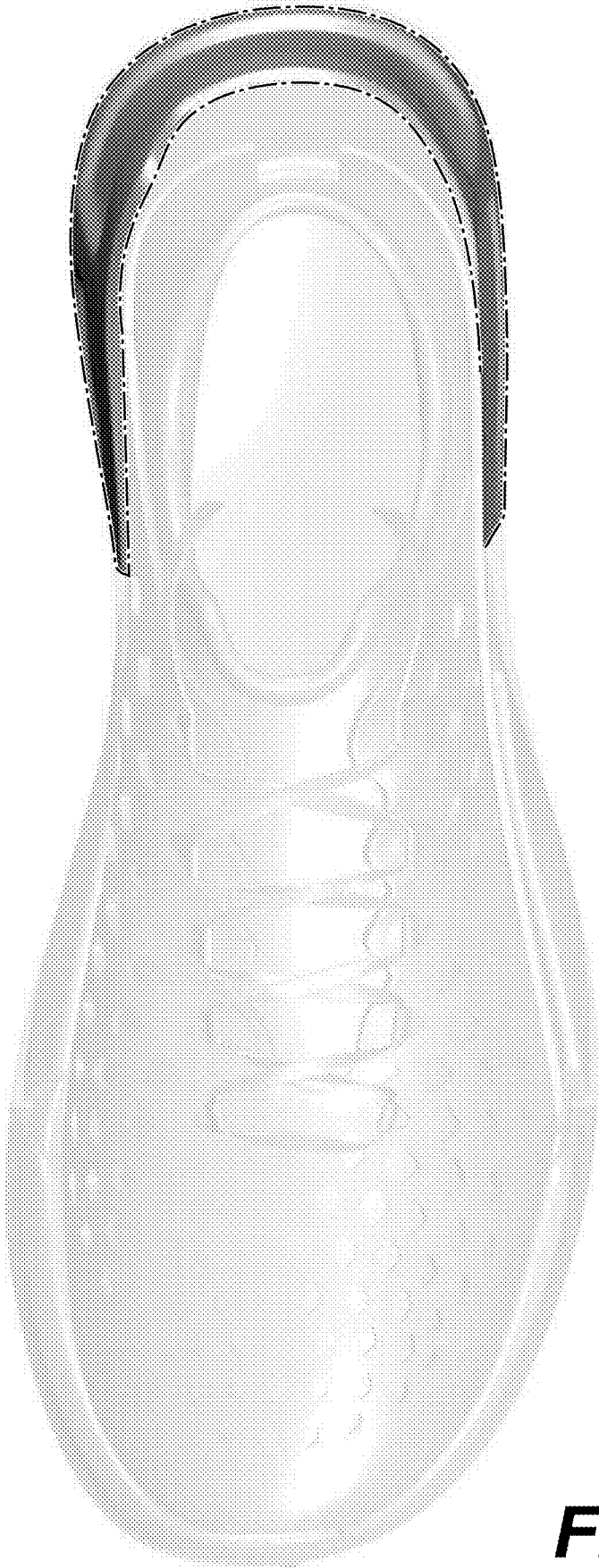


FIG. 7



FIG. 8