

(19) World Intellectual Property Organization
International Bureau



(43) International Publication Date
7 August 2008 (07.08.2008)

PCT

(10) International Publication Number
WO 2008/094417 A3

- (51) International Patent Classification:
A61B 17/70 (2006.01)
- (21) International Application Number:
PCT/US2008/000755
- (22) International Filing Date: 18 January 2008 (18.01.2008)
- (25) Filing Language: English
- (26) Publication Language: English
- (30) Priority Data:
60/897,723 26 January 2007 (26.01.2007) US
12/008,067 8 January 2008 (08.01.2008) US
- (71) Applicant and
- (72) Inventor: JACKSON, Roger, P. [US/US]; 2750 Clay Edwards Drive, Suite 600, North Kansas City, MO 64116-3250 (US).

AO, AT, AU, AZ, BA, BB, BG, BH, BR, BW, BY, BZ, CA, CH, CN, CO, CR, CU, CZ, DE, DK, DM, DO, DZ, EC, EE, EG, ES, FI, GB, GD, GE, GH, GM, GT, HN, HR, HU, ID, IL, IN, IS, JP, KE, KG, KM, KN, KP, KR, KZ, LA, LC, LK, LR, LS, LT, LU, LY, MA, MD, ME, MG, MK, MN, MW, MX, MY, MZ, NA, NG, NI, NO, NZ, OM, PG, PH, PL, PT, RO, RS, RU, SC, SD, SE, SG, SK, SL, SM, SV, SY, TJ, TM, TN, TR, TT, TZ, UA, UG, US, UZ, VC, VN, ZA, ZM, ZW.

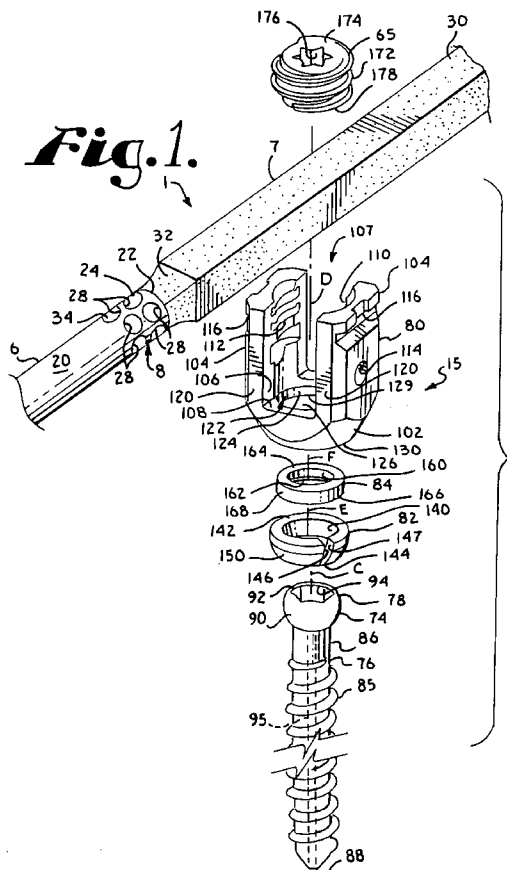
(84) Designated States (unless otherwise indicated, for every kind of regional protection available): ARIPO (BW, GH, GM, KE, LS, MW, MZ, NA, SD, SL, SZ, TZ, UG, ZM, ZW), Eurasian (AM, AZ, BY, KG, KZ, MD, RU, TJ, TM), European (AT, BE, BG, CH, CY, CZ, DE, DK, EE, ES, FI, FR, GB, GR, HR, HU, IE, IS, IT, LT, LU, LV, MC, MT, NL, NO, PL, PT, RO, SE, SI, SK, TR), OAPI (BF, BJ, CF, CG, CI, CM, GA, GN, GQ, GW, ML, MR, NE, SN, TD, TG).

- (74) Agent: MCMAHON, John, C.; P.O. Box 30069, 4700 Belleview, Suite 410, Kansas City, MO 64112 (US).
- (81) Designated States (unless otherwise indicated, for every kind of national protection available): AE, AG, AL, AM,

Published:
— with international search report

(88) Date of publication of the international search report:
20 November 2008

(54) Title: DYNAMIC STABILIZATION MEMBER WITH MOLDED CONNECTION



(57) Abstract: A dynamic fixation medical implant having at least two bone anchors includes a longitudinal connecting member assembly having at least one transition portion and cooperating outer sleeve, both the transition portion and sleeve being disposed between the two bone anchors. The transition portion includes a rigid length or rod having apertures therein and a molded plastic length that extends through the apertures, thus attaching the plastic length to the rigid length. The sleeve surrounds the transition portion and extends between the pair of bone anchors, the sleeve being compressible in a longitudinal direction between the bone anchors.

WO 2008/094417 A3

INTERNATIONAL SEARCH REPORT

International application No.
PCT/US 08/00755

A. CLASSIFICATION OF SUBJECT MATTER
 IPC(8) - A61B 17/70 (2008.04)
 USPC - 606/246
 According to International Patent Classification (IPC) or to both national classification and IPC

B. FIELDS SEARCHED
 Minimum documentation searched (classification system followed by classification symbols)
 IPC(8) - A61B 17/70 (2008.04)
 USPC - 606/246

Documentation searched other than minimum documentation to the extent that such documents are included in the fields searched
 606/246, 247, 248, 249, 250, 251, 252, 254, 254, 255, 256, 257

Electronic data base consulted during the international search (name of data base and, where practicable, search terms used)
 PubWEST(USPT,PGPB,EPAB,JPAB); Google Scholar;
 Search Terms Used: spine, vertebra, rod, rigid section, flexible section, solid section, portion, segment, sleeve, telescope

C. DOCUMENTS CONSIDERED TO BE RELEVANT

Category*	Citation of document, with indication, where appropriate, of the relevant passages	Relevant to claim No.
X	US 2007/0016200 A1 (JACKSON) 18 January 2007 (18.01.2007) Entire document, especially para[0002], para[0010], para[0115], para[0122] and FIGS. 16-19 and 36-39.	1-3, 5 and 6
Y		4 and 7-15
Y	US 2005/0085812 A1 (SHERMAN et al.) 21 April 2005 (21.05.2005) para[0009], para[0049] and FIGS. 2 and 5.	4 and 8-15
Y	US 2006/0271051 A1 (BERREVOETS et al.) 30 November 2006 (30.11.2006) para[0020].	7 and 14

Further documents are listed in the continuation of Box C.

* Special categories of cited documents:	"T" later document published after the international filing date or priority date and not in conflict with the application but cited to understand the principle or theory underlying the invention
"A" document defining the general state of the art which is not considered to be of particular relevance	"X" document of particular relevance; the claimed invention cannot be considered novel or cannot be considered to involve an inventive step when the document is taken alone
"E" earlier application or patent but published on or after the international filing date	"Y" document of particular relevance; the claimed invention cannot be considered to involve an inventive step when the document is combined with one or more other such documents, such combination being obvious to a person skilled in the art
"L" document which may throw doubts on priority claim(s) or which is cited to establish the publication date of another citation or other special reason (as specified)	"&" document member of the same patent family
"O" document referring to an oral disclosure, use, exhibition or other means	
"P" document published prior to the international filing date but later than the priority date claimed	

Date of the actual completion of the international search 26 June 2008 (26.06.2008)	Date of mailing of the international search report 07 JUL 2008
--	--

Name and mailing address of the ISA/US Mail Stop PCT, Attn: ISA/US, Commissioner for Patents P.O. Box 1450, Alexandria, Virginia 22313-1450 Facsimile No. 571-273-3201	Authorized officer: Lee W. Young PCT Helpdesk: 571-272-4300 PCT OSP: 571-272-7774
---	--