



US00D324621S

# United States Patent [19]

Haslacher

[11] Patent Number: **Des. 324,621**

[45] Date of Patent: **\*\* Mar. 17, 1992**

[54] **ESPRESSO MACHINE**

4,644,856 2/1987 Borgmann ..... D7/309 X

[75] Inventor: **Thomas Haslacher**, Starnberg, Fed. Rep. of Germany

### OTHER PUBLICATIONS

*Design* 420, Dec., 1983; p. 49, Espresso Machine at top right by Salton.

[73] Assignee: **Arthur Eugster AG**, Romanshorn, Switzerland

*Schoner Wohnen*, Oct., 1984; p. 114, Espresso Machines in top row—left by "Gaggia" and right by Vapore Plus.

[\*\*] Term: **14 Years**

*Primary Examiner*—Winifred E. Herrmann  
*Attorney, Agent, or Firm*—Darby & Darby

[21] Appl. No.: **453,810**

### [57] CLAIM

[22] Filed: **Dec. 18, 1989**

The ornamental design for an espresso machine, as shown and described.

### [30] Foreign Application Priority Data

Jun. 20, 1989 [DE] Fed. Rep. of Germany ... M8904430

[52] U.S. Cl. .... **D7/309; D7/311**

[58] Field of Search ..... D7/300, 305, 309, 308, D7/312, 311

### DESCRIPTION

**FIG. 1** is a front perspective view of an espresso machine showing my new design;

**FIG. 2** is a right-hand side elevational view thereof;

**FIG. 3** is a front elevational view thereof;

**FIG. 4** is a left-hand side elevational view thereof;

**FIG. 5** is a rear elevational view thereof; and

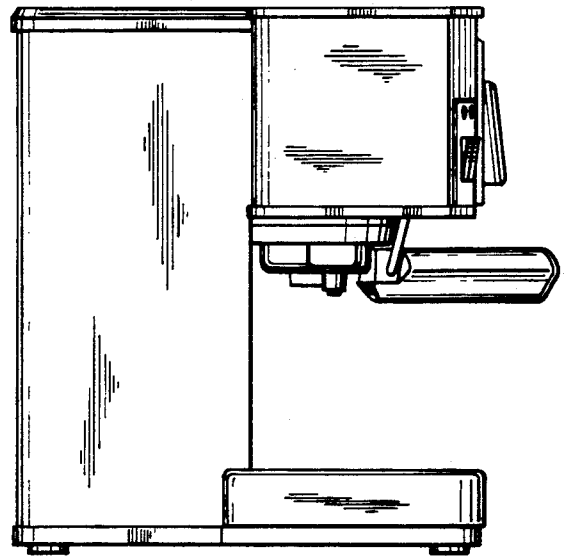
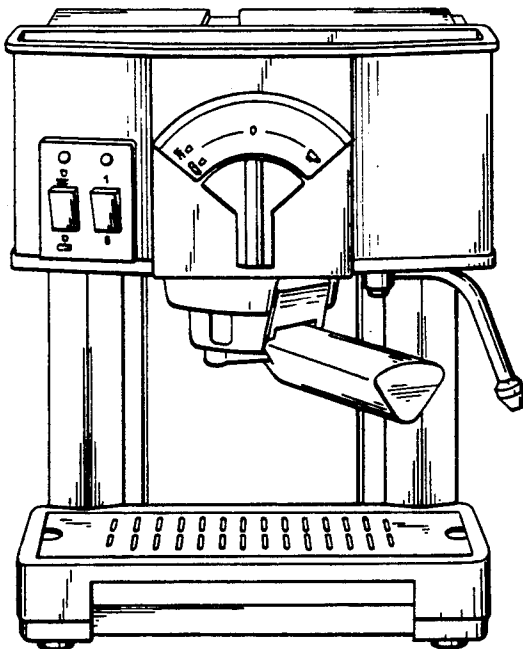
**FIG. 6** is a top plan view thereof.

The undisclosed bottom surface is conventional in appearance.

### [56] References Cited

#### U.S. PATENT DOCUMENTS

- D. 299,998 2/1989 Seiffert ..... D7/311 X
- D. 318,973 8/1991 Hasslacher ..... D7/309 X
- 4,323,171 4/1982 Whorton, III et al. .... D7/311 X



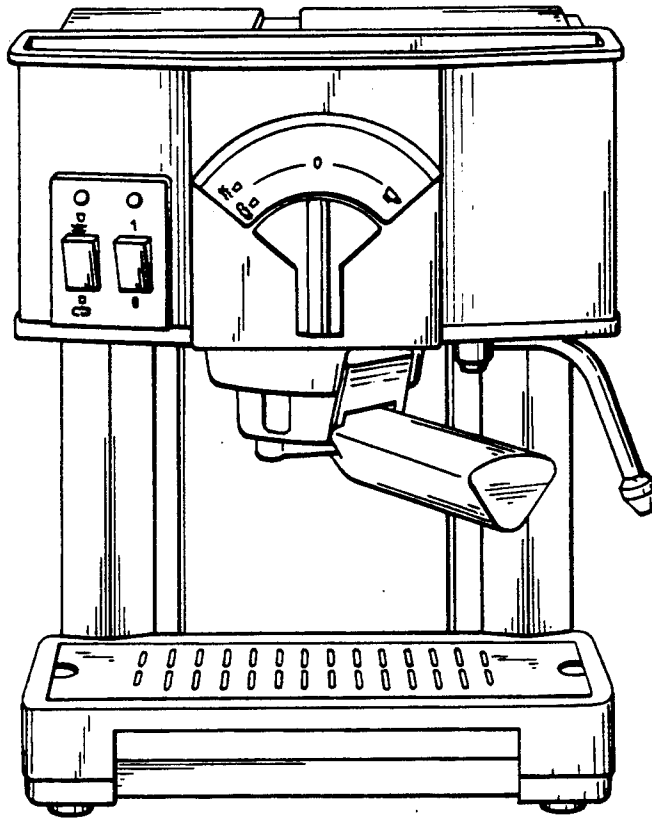


FIG. 1

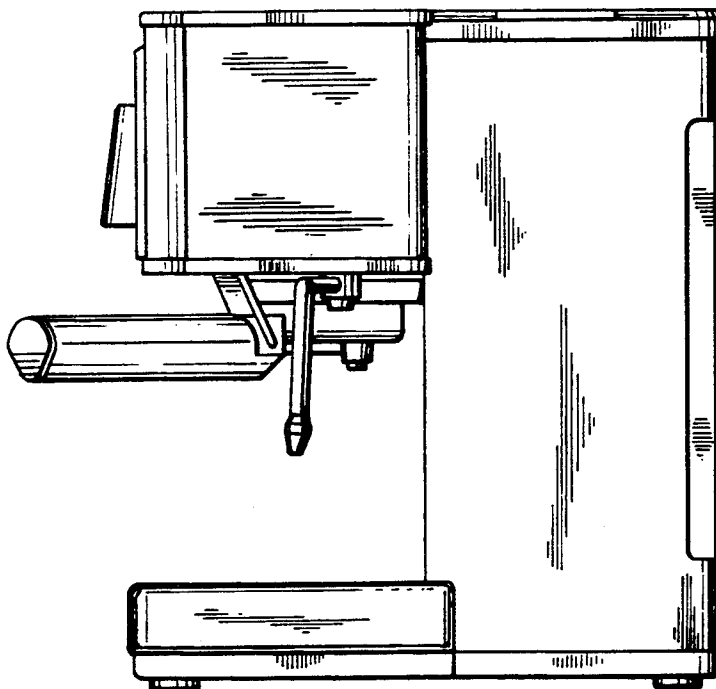


FIG. 2

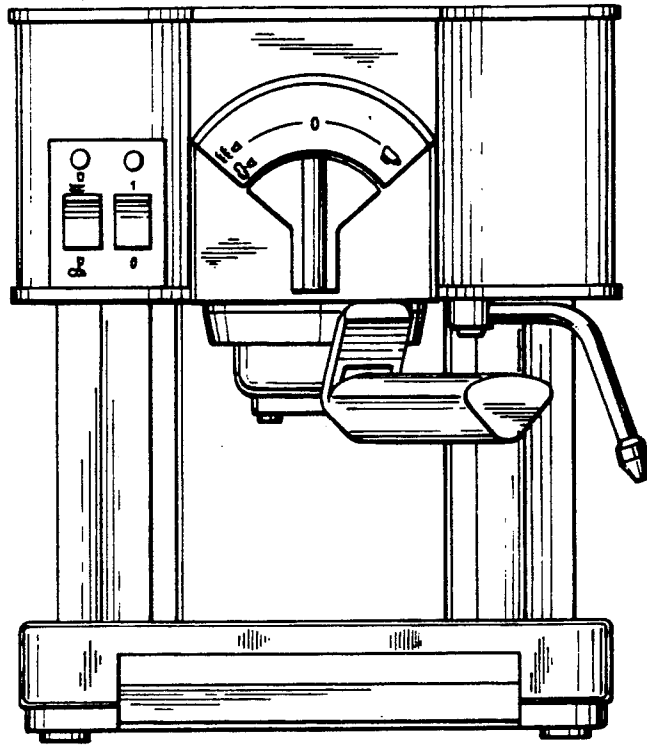


FIG. 3

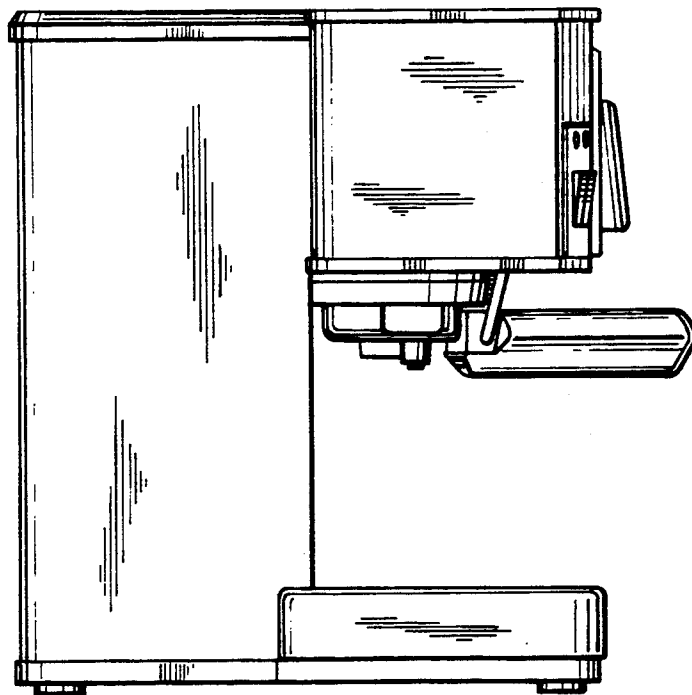


FIG. 4

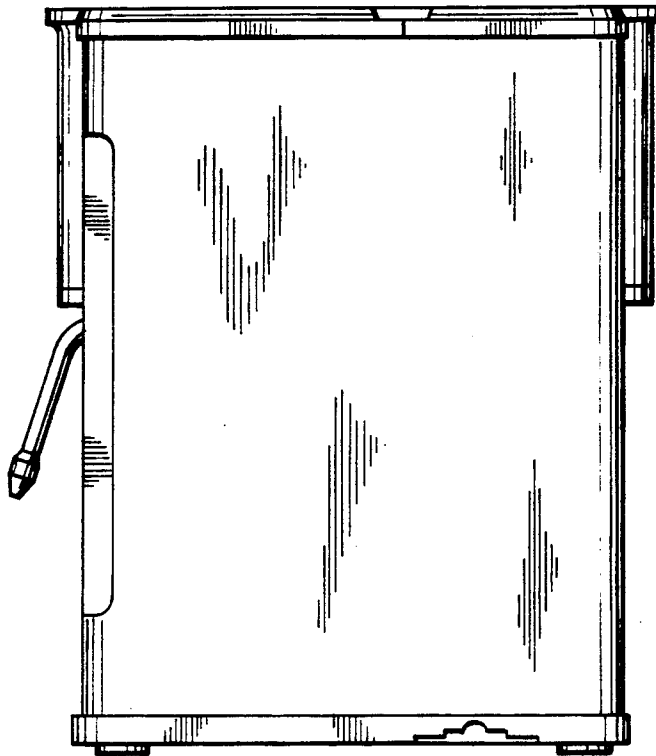


FIG. 5

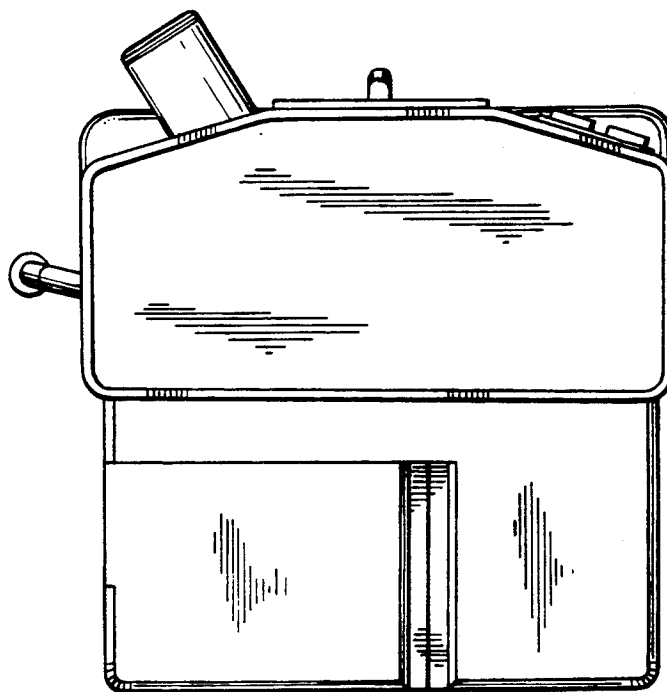


FIG. 6