

(12) **United States Design Patent**
Kim

(10) **Patent No.:** **US D883,972 S**
(45) **Date of Patent:** **** *May 12, 2020**

- (54) **CASE FOR ELECTRONIC COMMUNICATIONS DEVICE**
- (71) Applicant: **SPIGEN KOREA CO., LTD.**, Seoul (KR)
- (72) Inventor: **Seungjoo Kim**, Seoul (KR)
- (73) Assignee: **SPIGEN KOREA CO., LTD.**, Seoul (KR)
- (*) Notice: This patent is subject to a terminal disclaimer.
- (**) Term: **15 Years**
- (21) Appl. No.: **29/622,243**
- (22) Filed: **Oct. 16, 2017**
- (51) **LOC (12) Cl.** **14-03**
- (52) **U.S. Cl.**
USPC **D14/250**
- (58) **Field of Classification Search**
USPC D14/248, 439, 203.3–203.7, 447, 238.1, D14/440, 251–253, 217, 240, 250;
(Continued)
- (56) **References Cited**

U.S. PATENT DOCUMENTS

D619,361 S 7/2010 Andre
D637,589 S 5/2011 Willes et al.
(Continued)

OTHER PUBLICATIONS

Review of Spigen Slim Armor Case for the Samsung Galaxy S6 Edge Plus, published on Oct. 12, 2015, URL: <https://www.youtube.com/watch?v=hrEnHS_S1i4>, retrieved from internet on Dec. 13, 2018.*

(Continued)

Primary Examiner — Carla J Wright

(74) *Attorney, Agent, or Firm* — Heedong Chae; Lucem, PC

(57) **CLAIM**

The ornamental design for a case for electronic communications device, as shown and described.

DESCRIPTION

FIG. 1 is a front perspective view of a case for electronic communications device showing my new design;

FIG. 2 is a rear perspective view thereof;
FIG. 3 is a rear perspective view thereof showing the support leg component of the case in an extended position;
FIG. 4 is a front elevational view thereof;
FIG. 5 is a rear elevational view thereof;
FIG. 6 is a left side elevational view thereof;
FIG. 7 is a right side elevational view thereof;
FIG. 8 is a top plan view thereof;
FIG. 9 is a bottom plan view thereof;
FIG. 10 is a front perspective view showing the inner shell component of the case separately for clarity of disclosure;
FIG. 11 is a rear perspective view showing the inner shell component of the case separately for clarity of disclosure;
FIG. 12 is a front perspective view showing the outer frame component of the case separately for clarity of disclosure;
FIG. 13 is a rear perspective view showing the outer frame component of the case separately for clarity of disclosure;
FIG. 14 is a front perspective view showing the support leg component of the case separately for clarity of disclosure;
FIG. 15 is a rear perspective view showing the support leg component of the case separately for clarity of disclosure;
FIG. 16 is an exploded front perspective view showing the components of the case separated for clarity of disclosure; and,
FIG. 17 is an exploded rear perspective view showing the components of the case separated for clarity of disclosure.
Although the case for electronic communications device, in which the claimed design is embodied, consists of an inner shell component, an outer frame component, and a support leg component, the claim is directed to the ornamental appearance of the case for electronic communications device in its entirety and does not extend to the ornamental appearance of each of the individual components of the case for electronic communications device.
The broken lines throughout the drawing figures depict portions of the case for electronic communications device that form no part of the claimed design. The interior of the inner shell of the case shown in FIGS. 1, 4, 10 and 16 forms no part of the claimed design. The broken lines and regions bounded by broken lines form no part of the claimed design.

1 Claim, 17 Drawing Sheets

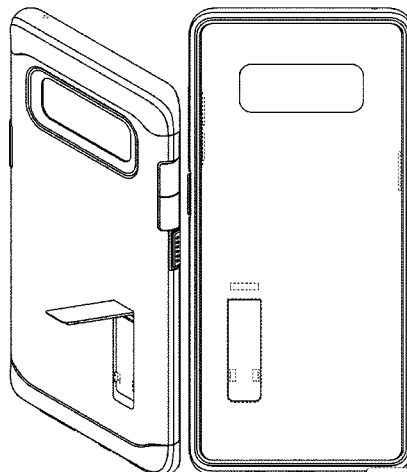


FIG. 1

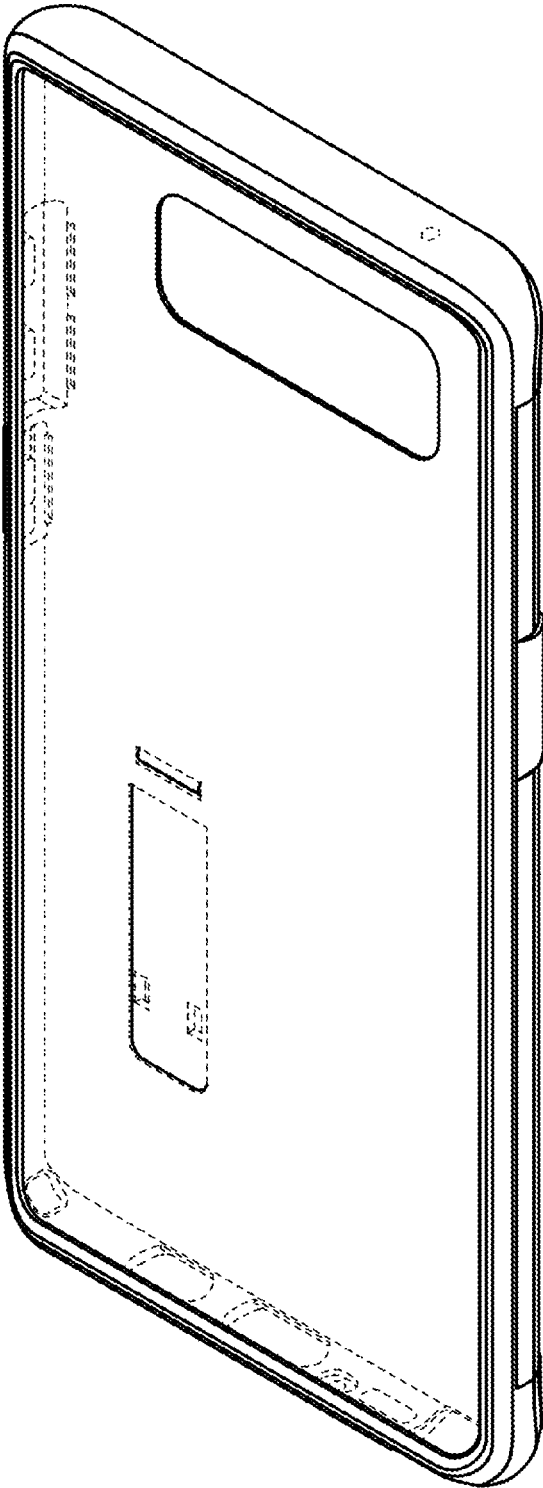


FIG. 2

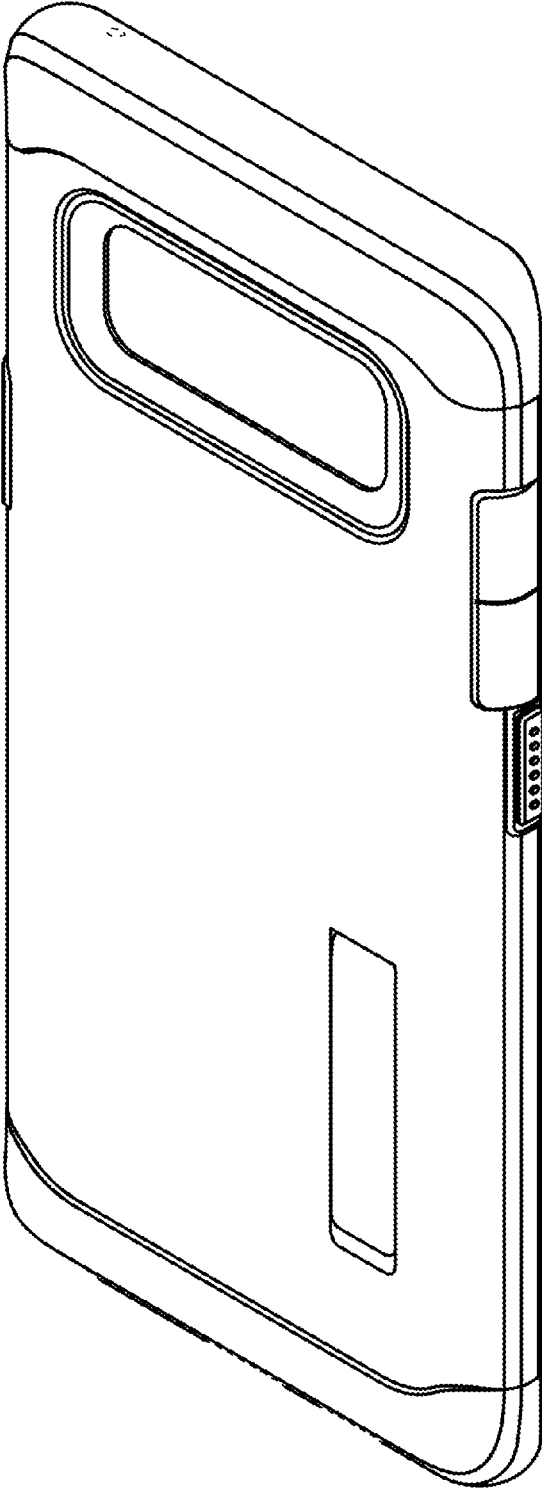


FIG. 3

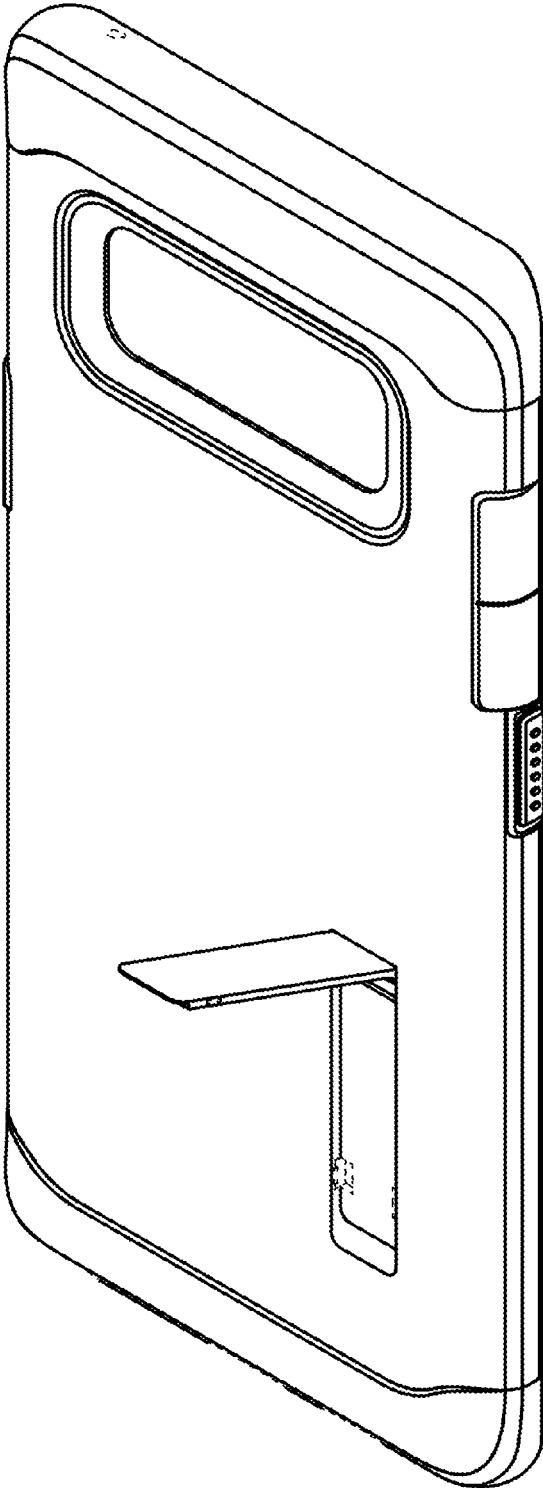


FIG. 4

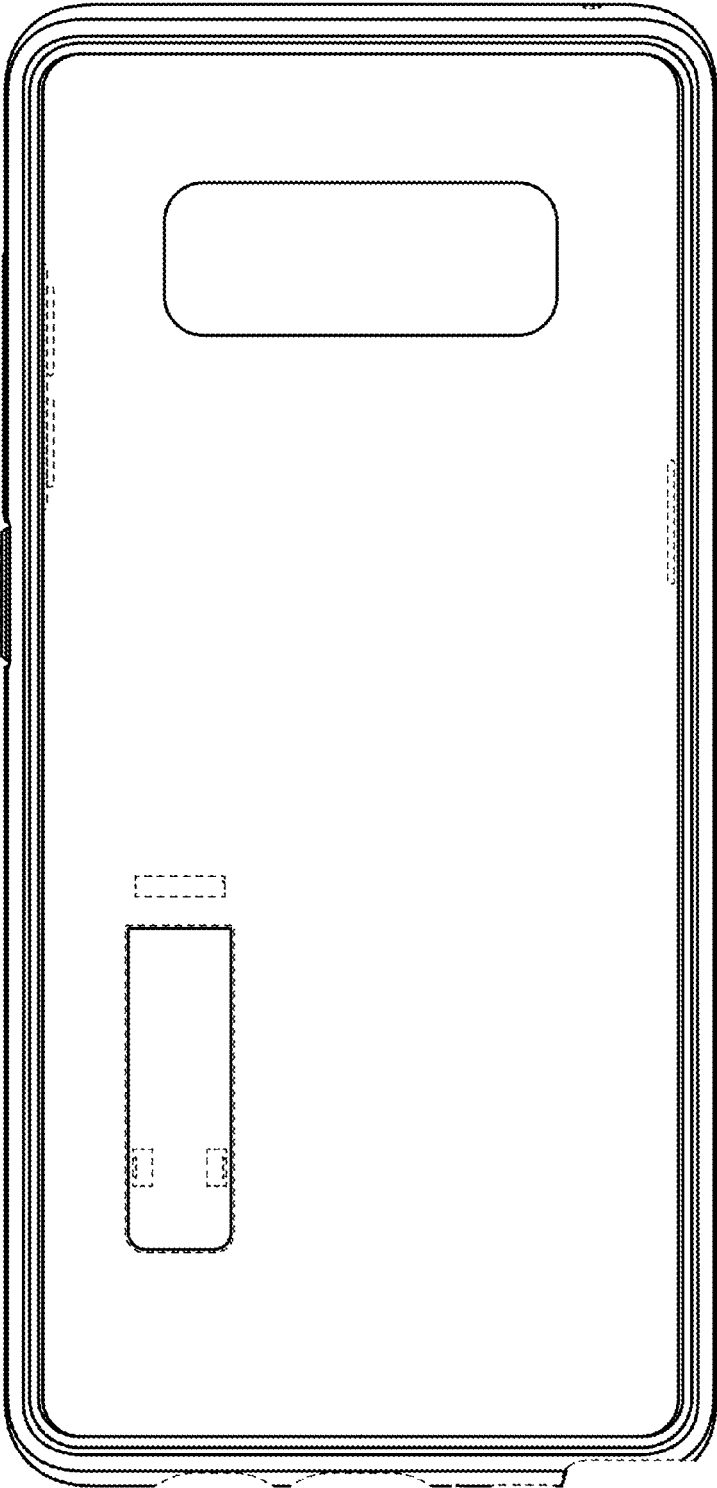


FIG. 5

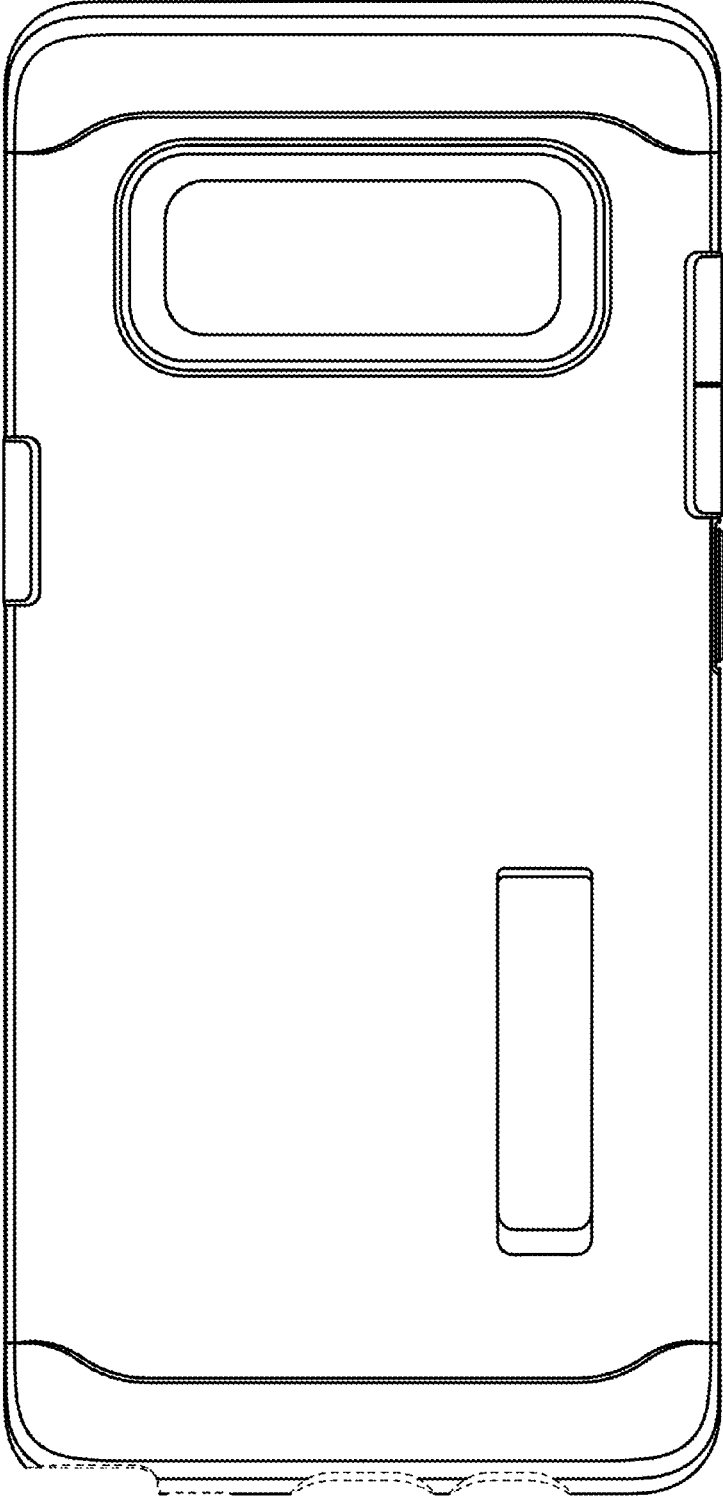


FIG. 6

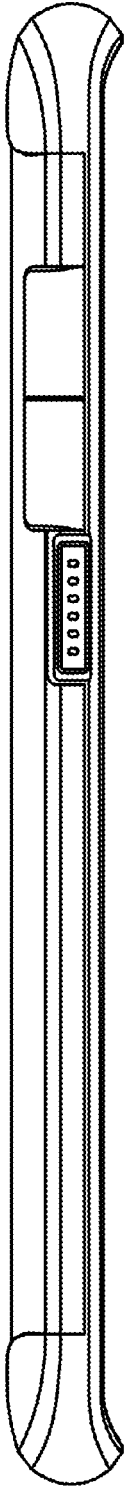


FIG. 7

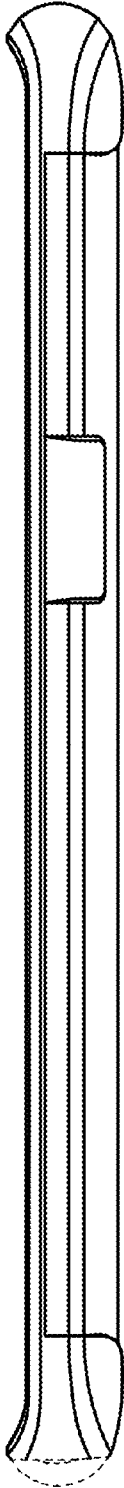


FIG. 8



FIG. 9

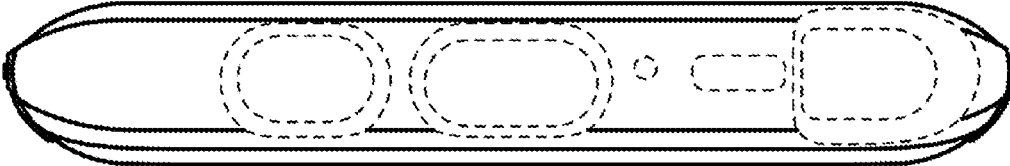


FIG. 10

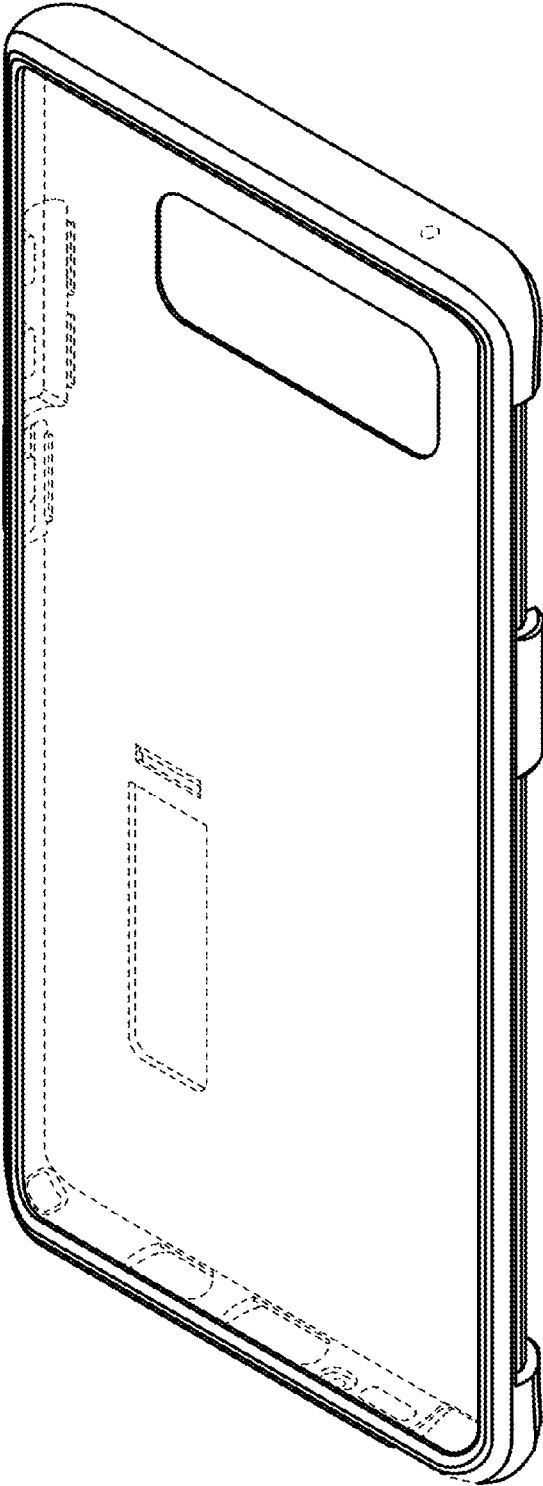


FIG. 11

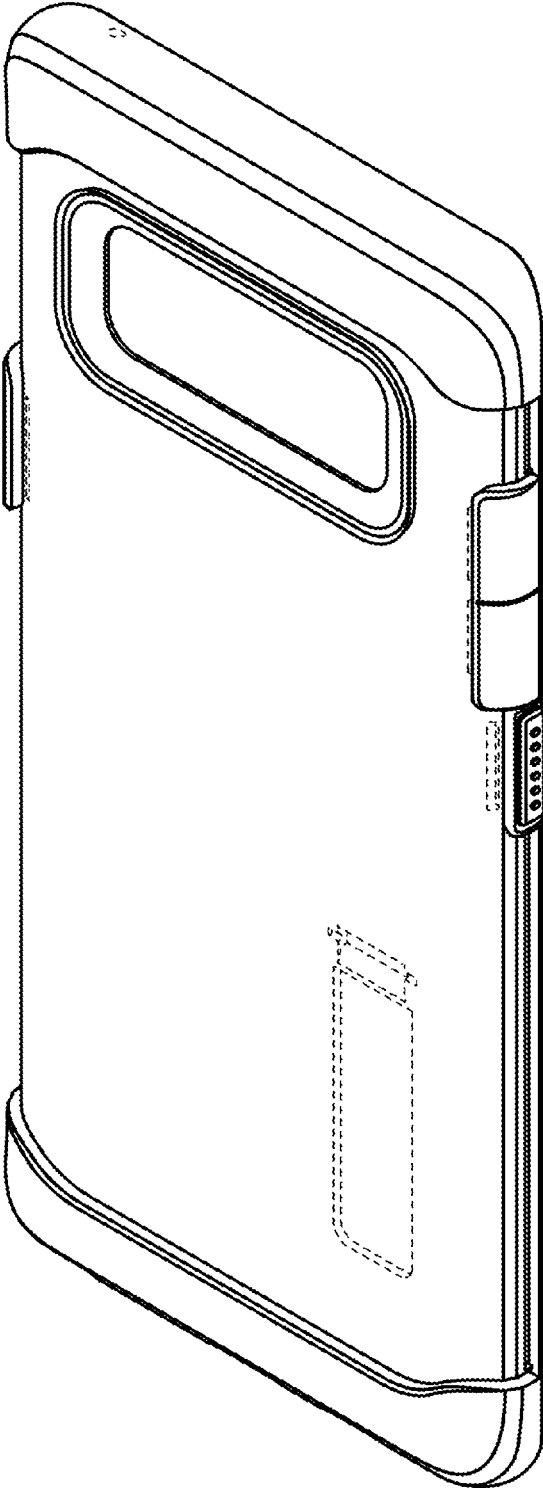


FIG. 12

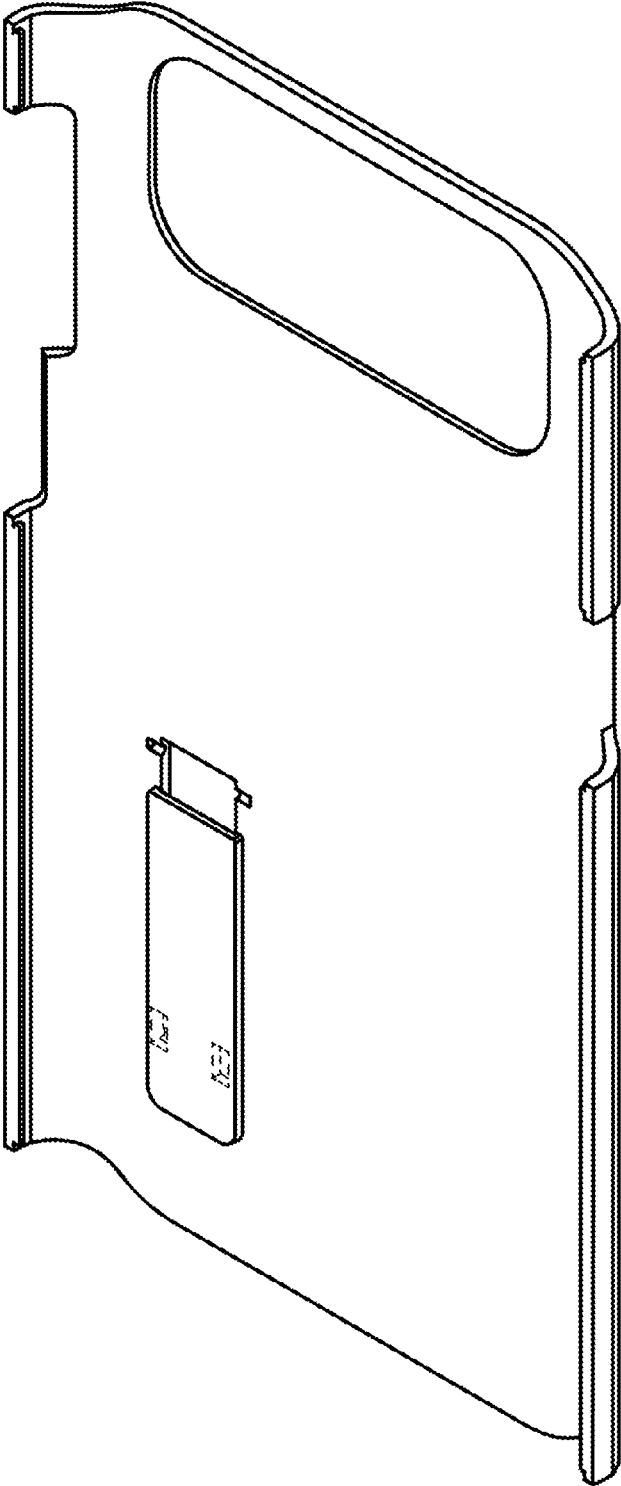


FIG. 13

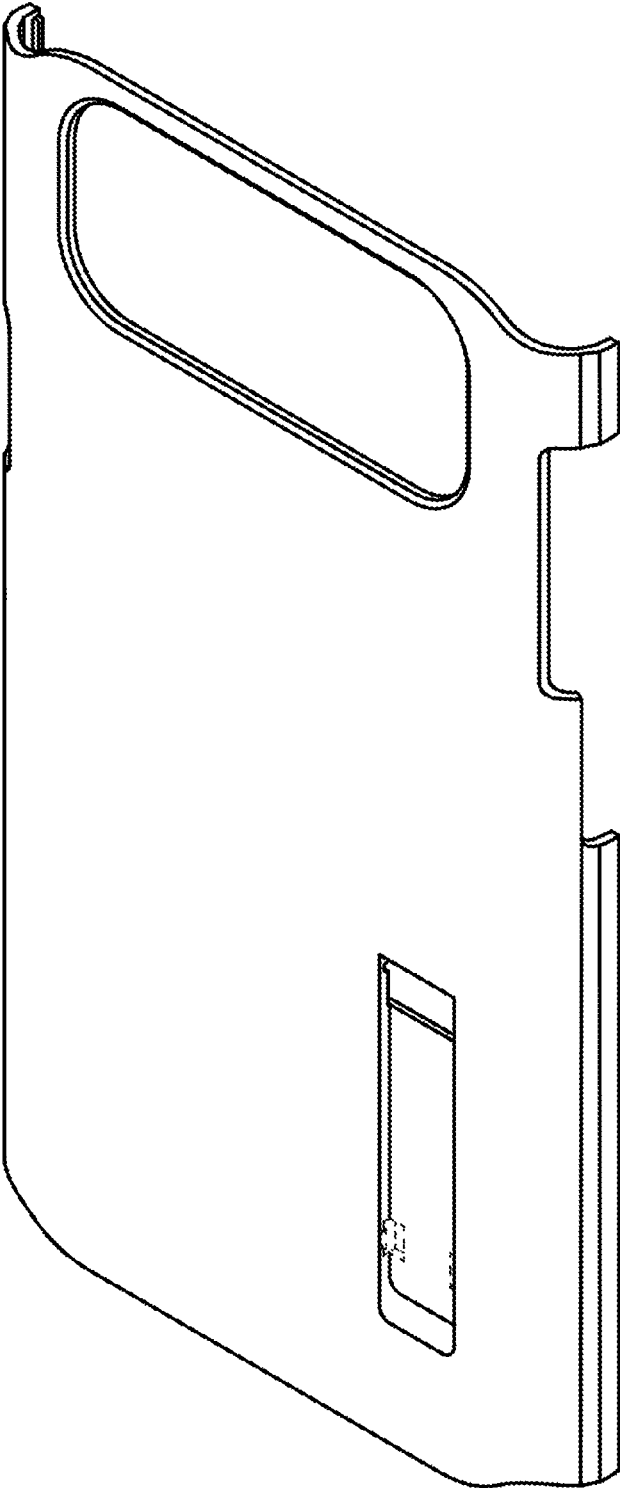


FIG. 14

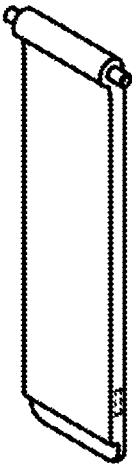


FIG. 15

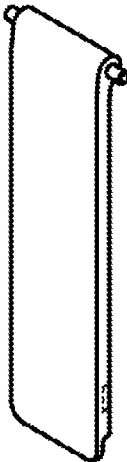


FIG. 16

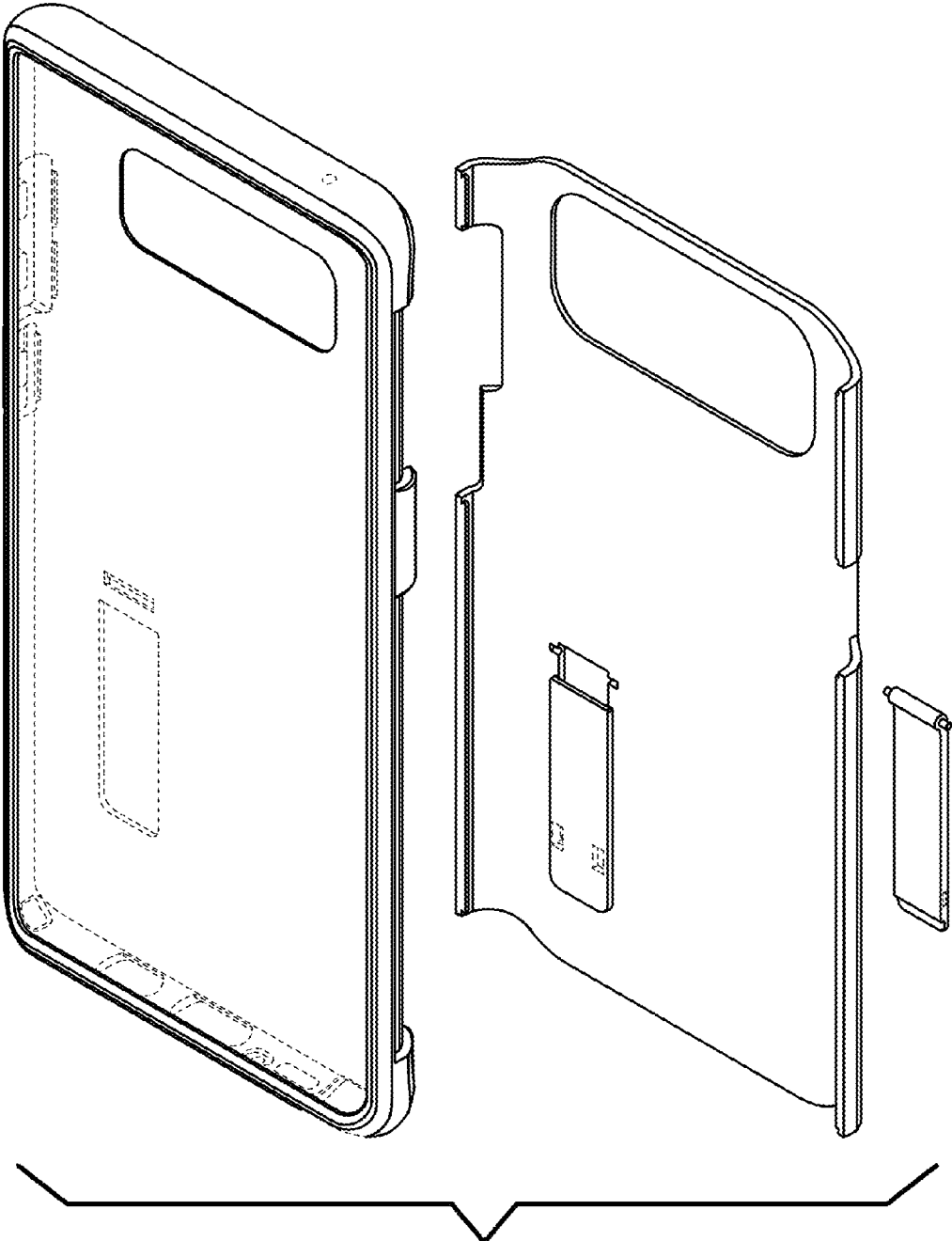


FIG. 17

