



US00D559917S

(12) **United States Design Patent**
Cole

(10) **Patent No.:** **US D559,917 S**

(45) **Date of Patent:** **** Jan. 15, 2008**

(54) **SLANT TOP GAMING MACHINE**

2006/0281559 A1* 12/2006 Luciano 463/46
* cited by examiner

(75) Inventor: **Joseph W. Cole**, North Las Vegas, NV
(US)

Primary Examiner—Sandra L. Morris
(74) *Attorney, Agent, or Firm*—Weide & Miller, Ltd.

(73) Assignee: **Cole Industries, Inc.**, Las Vegas, NV
(US)

(57) **CLAIM**

(**) Term: **14 Years**

The ornamental design for a slant top gaming machine, as shown and described.

(21) Appl. No.: **29/272,947**

(22) Filed: **Feb. 21, 2007**

DESCRIPTION

(51) **LOC (8) Cl.** **21-03**

FIG. 1 is an isometric view of a slant top gaming machine in accordance with the present invention;

(52) **U.S. Cl.** **D21/369**

FIG. 2 is a top view of the slant top gaming machine of FIG. 1;

(58) **Field of Classification Search** D21/324,
D21/329, 369–370, 385; 273/138.1, 309;
463/11.13, 25–26, 46–47

FIG. 3 is a front view of the slant top gaming machine of FIG. 1;

See application file for complete search history.

FIG. 4 is a side view of the slant top gaming machine of FIG. 1;

(56) **References Cited**

FIG. 5 is a back view of the slant top gaming machine of FIG. 1; and,

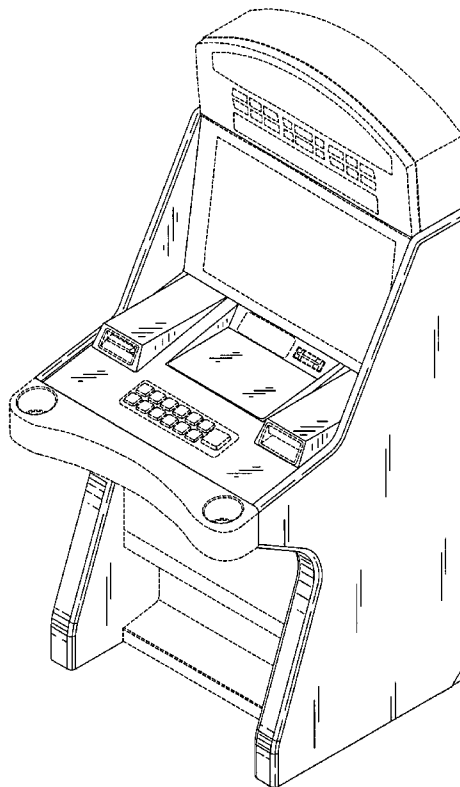
U.S. PATENT DOCUMENTS

FIG. 6 is a bottom view of the slant top gaming machine of FIG. 1.

- 6,201,532 B1* 3/2001 Tode et al. 463/46
- D460,915 S * 7/2002 Lynch D21/329
- 6,443,837 B1* 9/2002 Jaffe et al. 463/25
- D464,377 S * 10/2002 Wurz et al. 21/369
- D496,407 S * 9/2004 Gadda et al. D21/370
- 6,820,875 B1* 11/2004 Hedrick et al. 273/138.1
- 6,962,528 B2* 11/2005 Yokota 463/25
- 2006/0131810 A1* 6/2006 Nicely 463/11

The portion of the figures shown in dotted lines represent gaming machine components and forms no portion of the claimed design.

1 Claim, 3 Drawing Sheets



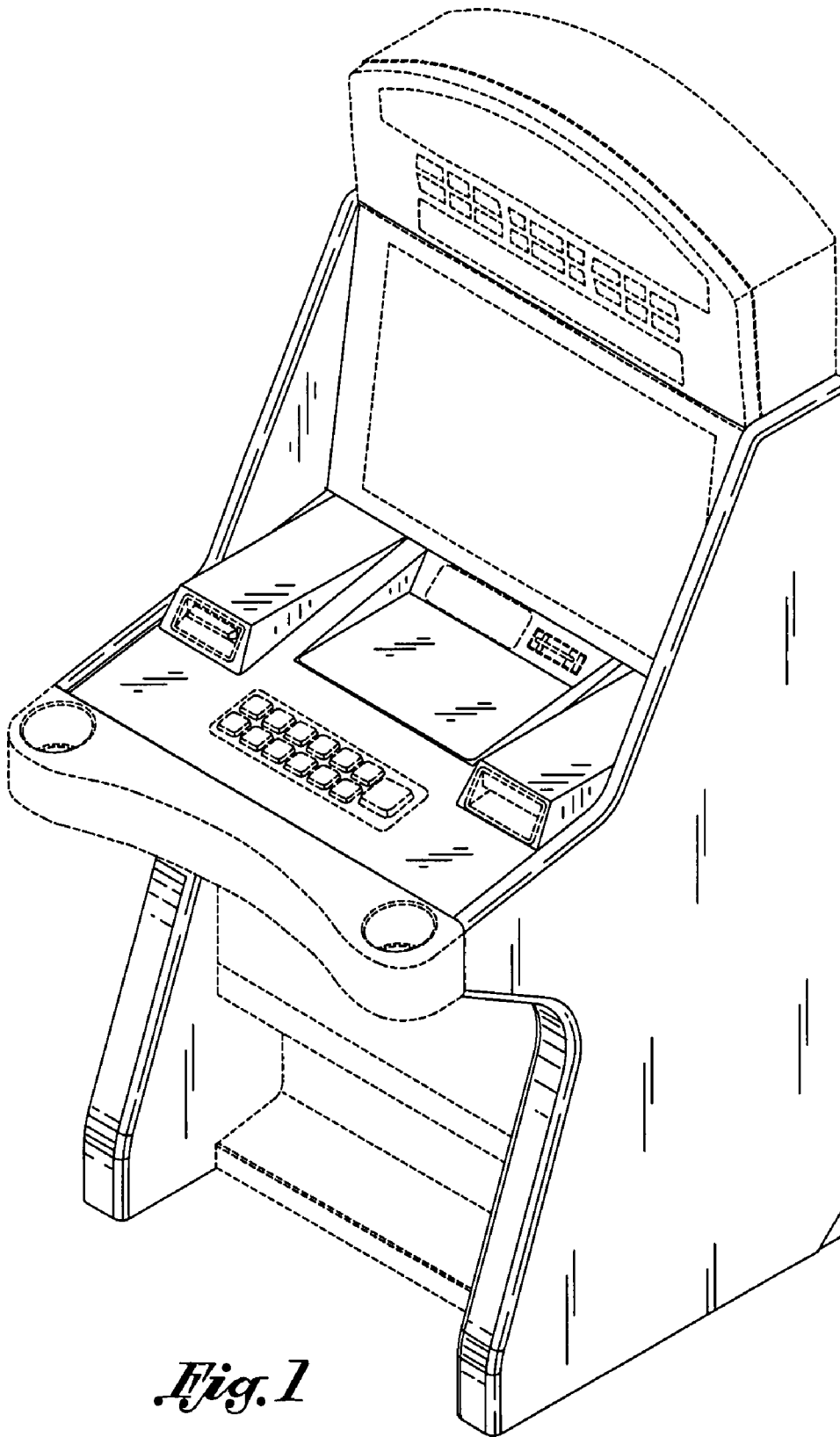


Fig. 1

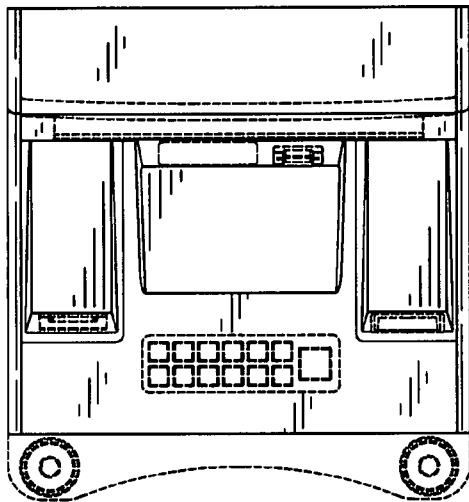


Fig. 2

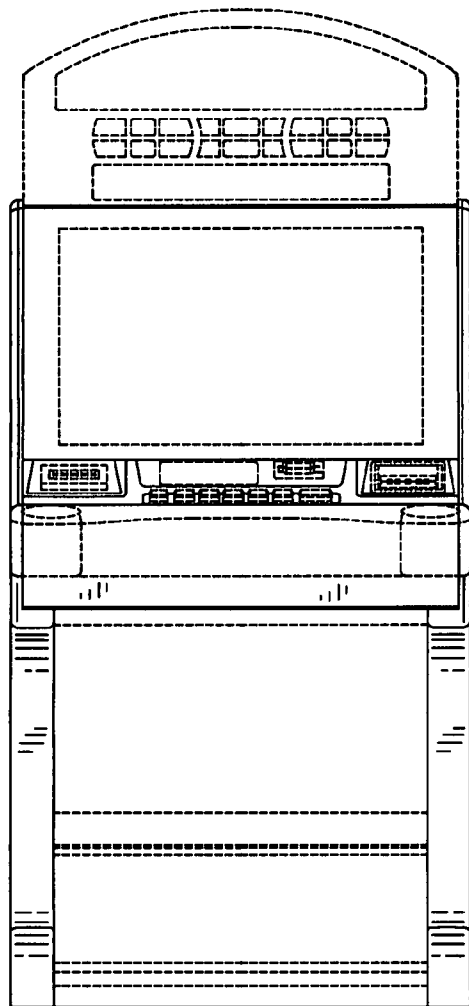


Fig. 3

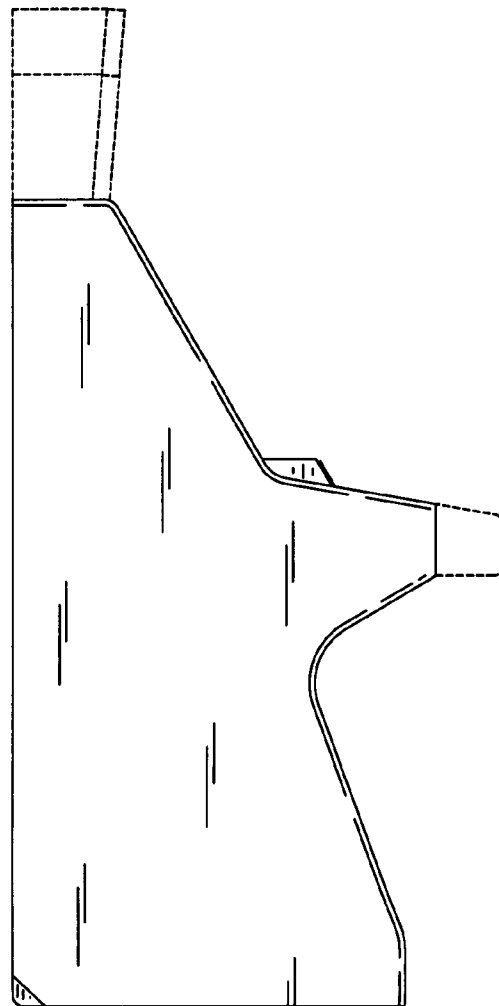


Fig. 4

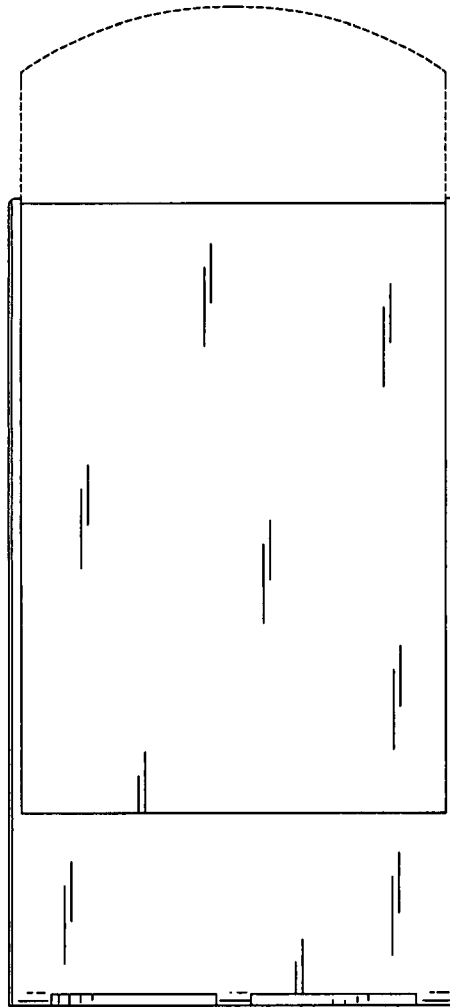


Fig. 5

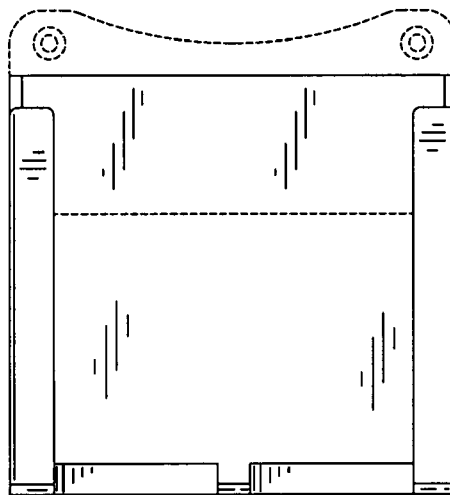


Fig. 6