



US00D839928S

(12) **United States Design Patent**  
**Winter**

(10) **Patent No.:** **US D839,928 S**

(45) **Date of Patent:** **\*\* Feb. 5, 2019**

- (54) **PLOW BLADE WEAR SHOE**
- (71) Applicant: **Winter Equipment Company,**  
Willoughby, OH (US)
- (72) Inventor: **Kent Winter,** Willoughby, OH (US)
- (73) Assignee: **Winter Equipment Company,**  
Willoughby, OH (US)
- (\*\*) Term: **15 Years**
- (21) Appl. No.: **29/634,206**
- (22) Filed: **Jan. 19, 2018**
- (51) **LOC (11) Cl.** ..... **15-03**
- (52) **U.S. Cl.**  
USPC ..... **D15/11; D15/28**
- (58) **Field of Classification Search**  
USPC ..... D15/11, 21, 28, 32; 37/270; 280/28  
CPC ..... E01H 5/06-5/062; E01H 5/066; E01H  
5/065; E01H 5/12; E01H 5/04; E02F  
3/76-3/848; E02F 3/08; E02F 3/8157;  
E02F 3/8152; B62B 15/00  
See application file for complete search history.

D291,654 S *	9/1987	Foster, Jr.	280/28
4,833,801 A *	5/1989	Winter	E01H 5/061 172/701.2
4,899,472 A *	2/1990	Winter	E01H 5/061 37/264
D320,397 S *	10/1991	Gomez	D15/11
5,265,356 A *	11/1993	Winter	E01H 5/06 37/232
D399,852 S *	10/1998	Lauder	D15/11
6,240,662 B1 *	6/2001	Borowiak	E01H 5/061 37/270
D567,826 S *	4/2008	Clendenning	D15/29
D567,827 S *	4/2008	Clendenning	D15/29
7,836,615 B2 *	11/2010	Winter	E01H 5/066 37/270
7,874,085 B1 *	1/2011	Winter	E01H 5/061 172/701.3
8,191,287 B2 *	6/2012	Winter	E01H 5/061 37/266
D680,558 S *	4/2013	Clement	D15/11
8,844,173 B2 *	9/2014	Winter	E01H 5/061 37/266

(Continued)

*Primary Examiner* — Mark A Goodwin  
(74) *Attorney, Agent, or Firm* — Fay Sharpe LLP

(57) **CLAIM**

The ornamental design for a plow blade wear shoe, as shown and described.

(56) **References Cited**

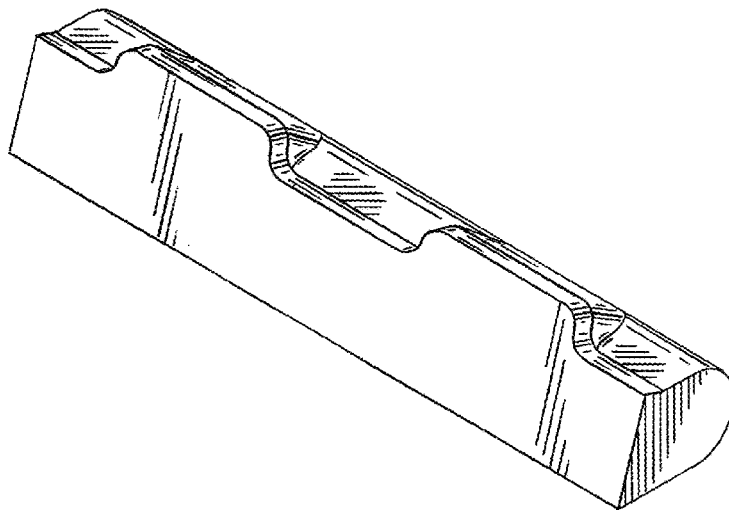
U.S. PATENT DOCUMENTS

1,581,414 A *	4/1926	Young	E02F 3/8157 172/393
1,713,882 A *	5/1929	Shaw	E02F 3/8157 280/28
2,202,309 A *	5/1940	Campbell	B62B 19/00 280/28
2,460,348 A *	2/1949	Henry	E02F 3/8157 172/832
2,593,025 A *	4/1952	Hanson	B62B 15/00 280/28
D250,713 S *	1/1979	Korpi	D15/28
4,500,766 A *	2/1985	Reinhardt	B23K 11/00 172/719

**DESCRIPTION**

FIG. 1 is a front perspective view of a plow blade wear shoe; FIG. 2 is a rear perspective view thereof; FIG. 3 is a front elevation view thereof; FIG. 4 is a left elevation view thereof; FIG. 5 is a right elevation view thereof; FIG. 6 is a top elevation view thereof; FIG. 7 is a bottom elevation view thereof; and, FIG. 8 is a rear elevation view thereof.

**1 Claim, 3 Drawing Sheets**



(56)

**References Cited**

## U.S. PATENT DOCUMENTS

9,163,379	B2 *	10/2015	Winter	.....	E01H 5/061
9,428,874	B2 *	8/2016	Winter	.....	E01H 5/061
9,562,342	B2 *	2/2017	Winter	.....	E02F 3/8157
9,708,784	B2 *	7/2017	Winter	.....	E01H 5/061
D799,554	S *	10/2017	Peterson	.....	D15/11
9,821,396	B2 *	11/2017	Winter	.....	E01H 5/061
D816,720	S *	5/2018	Winter	.....	D15/11
D824,962	S *	8/2018	Winter	.....	D15/11
2006/0026870	A1 *	2/2006	Karhi	.....	A61B 5/01 37/266
2013/0145658	A1 *	6/2013	Tordik	.....	E01H 5/061 37/197
2014/0373398	A1 *	12/2014	Winter	.....	E01H 5/061 37/266
2015/0047234	A1 *	2/2015	Winter	.....	E01H 5/061 37/460
2015/0135559	A1 *	5/2015	Tordik	.....	E01H 5/066 37/197
2016/0039030	A1 *	2/2016	Winter	.....	E01H 5/061 219/615
2016/0069041	A1 *	3/2016	Winter	.....	E02F 3/8157 37/453
2016/0333547	A1 *	11/2016	Winter	.....	E02F 3/8152
2017/0191236	A1 *	7/2017	Winter	.....	E01H 5/061
2018/0058026	A1 *	3/2018	Williams	.....	E01H 5/066

\* cited by examiner

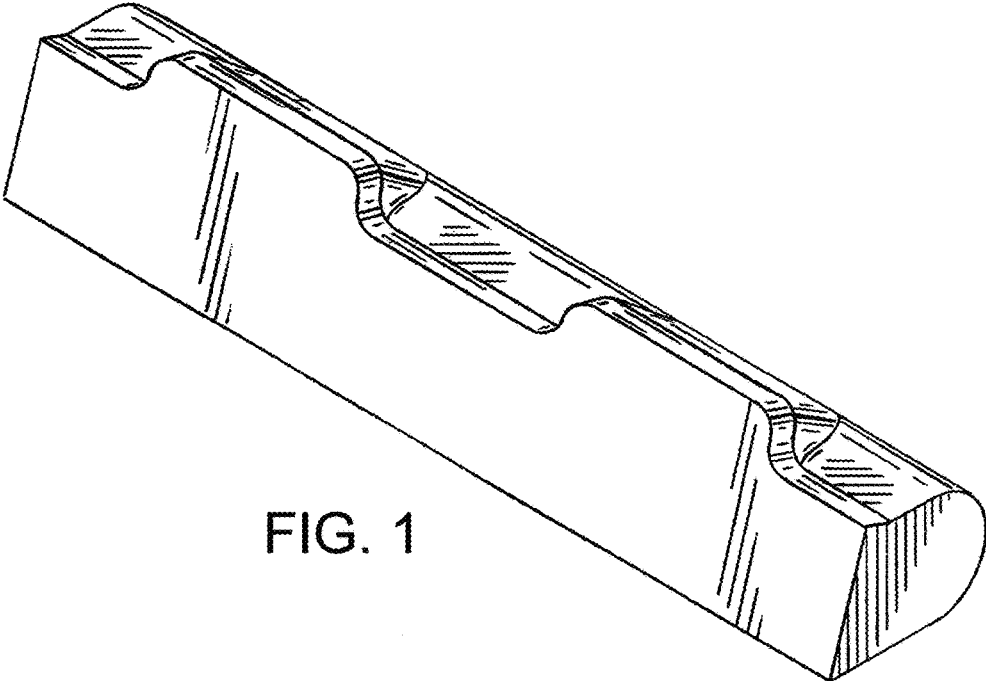


FIG. 1

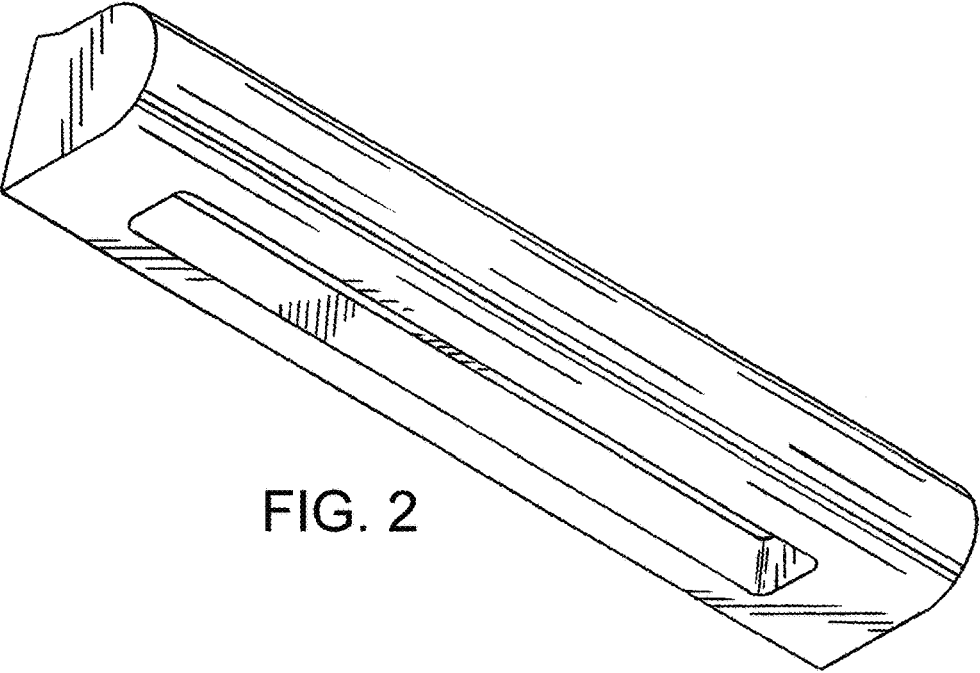


FIG. 2

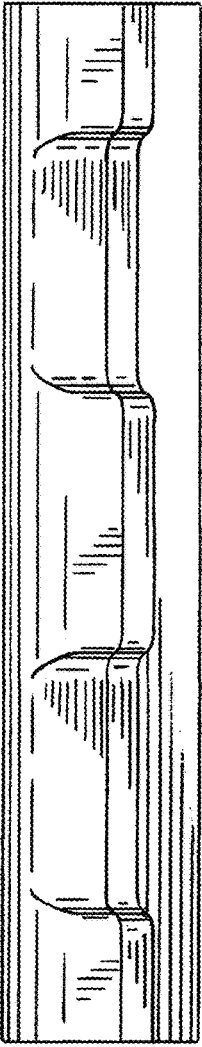


FIG. 6

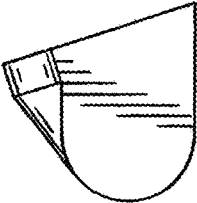


FIG. 4

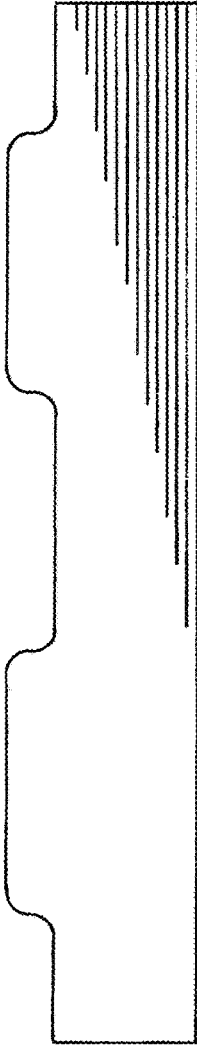


FIG. 3

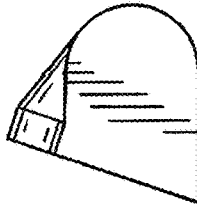


FIG. 5

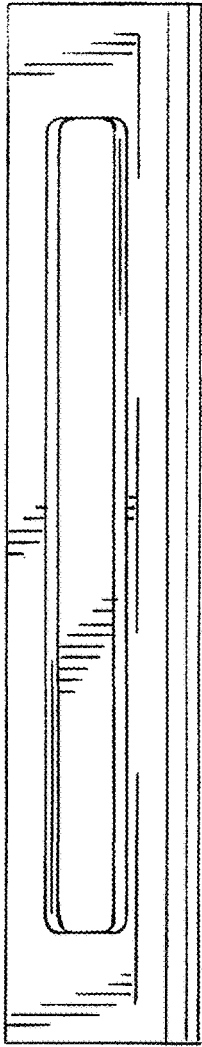


FIG. 7

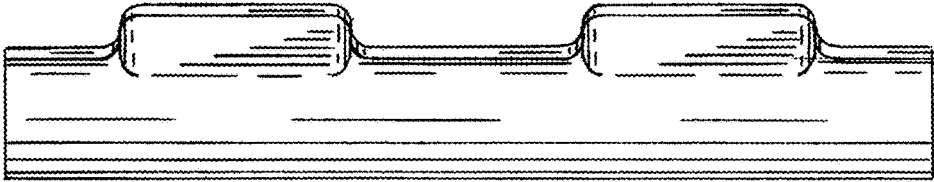


FIG. 8