



(12) **United States Design Patent**
Birks

(10) **Patent No.:** **US D1,018,172 S**
(45) **Date of Patent:** **** Mar. 19, 2024**

(54) **ADJUSTABLE LUMBAR SUPPORT**

(71) Applicant: **HNI Technologies Inc.**, Muscatine, IA (US)

(72) Inventor: **Nathaniel Birks**, Bettendorf, IA (US)

(73) Assignee: **HNI TECHNOLOGIES INC.**, Muscatine, IA (US)

(**) Term: **15 Years**

(21) Appl. No.: **29/805,913**

(22) Filed: **Aug. 31, 2021**

(51) **LOC (14) Cl.** **06-06**

(52) **U.S. Cl.**
USPC **D6/716.4**

(58) **Field of Classification Search**
USPC ... D6/716.1-716.5, 717, 368, 334, 336, 367, D6/374, 375, 335, 340, 601; D24/215, D24/200

CPC A47C 1/02; A47C 1/022; A47C 1/024; A47C 3/12; A47C 3/18; A47C 3/026; A47C 7/18; A47C 7/36; A47C 7/40; A47C 7/46; A47C 1/03294; A47C 1/034; A47C 1/032;

(Continued)

(56) **References Cited**

U.S. PATENT DOCUMENTS

D311,295 S * 10/1990 Roberts D6/601
D357,834 S * 5/1995 Nordstrom D6/716.5
(Continued)

FOREIGN PATENT DOCUMENTS

CN 202230599593.3 * 12/2022

OTHER PUBLICATIONS

How to, posted May 4, 2021 [online], [retrieved Feb. 17, 2023]. Retrieved from internet, <https://www.hon.com/chairs/ignition/hiwmukdy2ahcu10nlsbt> (Date:2023) (Year: 2021)*

(Continued)

Primary Examiner — Christian P. McLean
Assistant Examiner — Kristopher Michael Blechschmidt
(74) *Attorney, Agent, or Firm* — Faegre Drinker Biddle & Reath LLP

(57) **CLAIM**

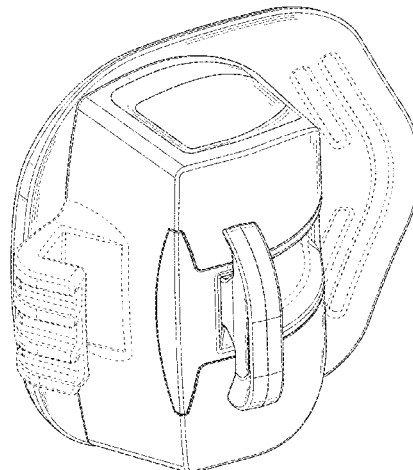
The ornamental design for an adjustable lumbar support, as shown and described.

DESCRIPTION

FIG. 1 is a rear, top perspective view of a first embodiment of an adjustable lumbar support illustrating my new design. FIG. 2 is a front, bottom perspective view thereof. FIG. 3 is a top view thereof. FIG. 4 is a bottom view thereof. FIG. 5 is a rear view thereof. FIG. 6 is a front view thereof. FIG. 7 is a left side view thereof. FIG. 8 is a right side view thereof. FIG. 9 is a rear, top perspective view of a second embodiment of the adjustable lumbar support. FIG. 10 is a front, bottom perspective view thereof. FIG. 11 is a top view thereof. FIG. 12 is a bottom view thereof. FIG. 13 is a rear view thereof. FIG. 14 is a front view thereof. FIG. 15 is a left side view thereof. FIG. 16 is a right side view thereof; and, FIG. 17 is a rear view of a third embodiment of the adjustable lumbar support shown in a broken line embodiment.

Features of the adjustable lumbar support shown as evenly-sized broken lines form no part of the claimed design. The long-short broken lines of FIG. 17 illustrate optional environments that forms no part of the claimed design.

1 Claim, 17 Drawing Sheets



(58) **Field of Classification Search**

CPC A47C 1/031; A47C 1/023; A47C 3/029;
 A47C 3/027; A47C 3/04; A47C 4/03;
 A47C 4/04; A47C 5/12; A47C 7/029;
 A47C 7/02; A47C 7/28; A47C 7/32;
 A47C 7/38; A47C 7/44; A47C 7/54;
 A47C 7/425; A47C 7/445; A47C 31/023;
 A47C 31/04; A47C 1/14; A47C 1/03244;
 A47C 4/20; A47C 4/28; A47C 4/30;
 A47C 4/42; A47C 4/46; A47C 4/54;
 A47C 4/286; A47C 7/06; A47C 7/24;
 A47C 7/66; A47C 7/68; A47C 7/62;
 A47C 7/624; A47C 7/622; A47C 7/407;
 A47C 9/06; A47C 9/00; A47C 9/10;
 A47C 9/105; A47C 11/00; A47C 11/005;
 A47C 15/00; A47C 21/00; A47C 31/00;
 A47C 4/02; A47C 7/14; A47C 7/402;
 A47C 7/405; A47C 7/462; A47C 7/282;
 A47C 7/285; A47C 1/03255; A47C 1/11;
 A47C 1/143; A47C 3/02; A47C 3/025;
 A47C 7/002; A47C 7/004; A47C 7/185;
 A47C 9/007; B60R 2/0284; B60R 2/062;
 B60R 22/001; B60R 22/24; B60R 22/28;
 B60R 22/58; B60R 22/64; B60R 22/68;
 B60R 22/80; B60R 22/99; B60R 22/245;
 B60R 22/643; B60R 22/646; B60R
 22/665; B60R 22/686; B60R 22/688;
 B60R 22/803; B60R 22/986; B60R
 22/914; B60R 22/995; F16B 2/08; F16B
 45/00; Y10S 297/01; Y10S 35/901; A47D
 13/10; B60N 2/00; B60N 2/20; B60N
 2/58; B60N 2/64; B60N 2/646; B60N
 2/686; B60N 2/86; B60N 2/803; B60N
 2/806; B60N 2/04; A47B 5/00; A01M
 31/00; A01M 31/02; A01M 31/025; A45F

3/22; A45F 3/24; A47G 9/06; A61G 7/10;
 A63B 63/00; B25H 1/14; B25H 1/12;
 B25H 1/04; E04H 15/30; F16M 11/22;
 F42B 12/38; F41A 23/14; F41A 23/16;
 F41A 23/18; F41C 27/00

See application file for complete search history.

(56)

References Cited

U.S. PATENT DOCUMENTS

D398,793	S *	9/1998	Maree	D6/716.5
D417,570	S *	12/1999	Baumann	D6/366
6,189,972	B1	2/2001	Chu et al.	
D520,782	S *	5/2006	Glass	D6/716.4
7,517,024	B2	4/2009	Cvek	
D597,769	S *	8/2009	Richter	D6/716.5
7,841,666	B2	11/2010	Schmitz et al.	
7,878,591	B2	2/2011	Walker et al.	
D750,929	S *	3/2016	Line	D6/716.5
9,282,825	B1	3/2016	Rogers et al.	
D789,709	S *	6/2017	Zou	D6/601
D798,094	S *	9/2017	Albert	D6/716.5
D859,046	S *	9/2019	Malmén	D6/716.1
10,485,727	B2	11/2019	Grove	
D910,180	S *	2/2021	McHugh	D24/155
D935,824	S *	11/2021	Deevers	D6/716.1
D952,387	S *	5/2022	Tangeman	D6/716.5
2007/0222265	A1	9/2007	Machael et al.	

OTHER PUBLICATIONS

Hon Ignition, posted unknown [online], [retrieved Feb. 17, 2023]. Retrieved from internet, <https://www.hon.com/chairs/ignition/hiwmukdy2ahcu10nlsbt> (Date:2023) (Year: 2023).*

Hon Mirus, posted Jan. 10, 2011 [online], [retrieved Feb. 17, 2023]. Retrieved from internet, <https://www.youtube.com/watch?v=kf4tXk45dA0> (Date:2023) (Year: 2011).*

* cited by examiner

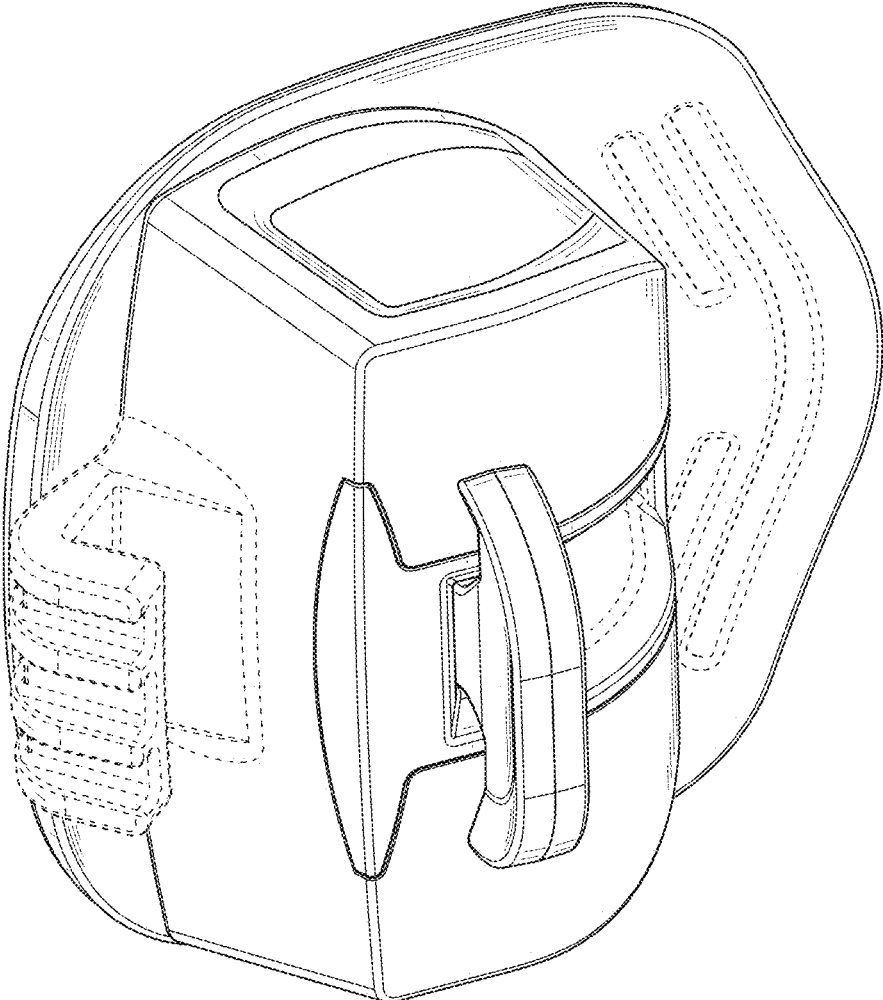


FIG. 1

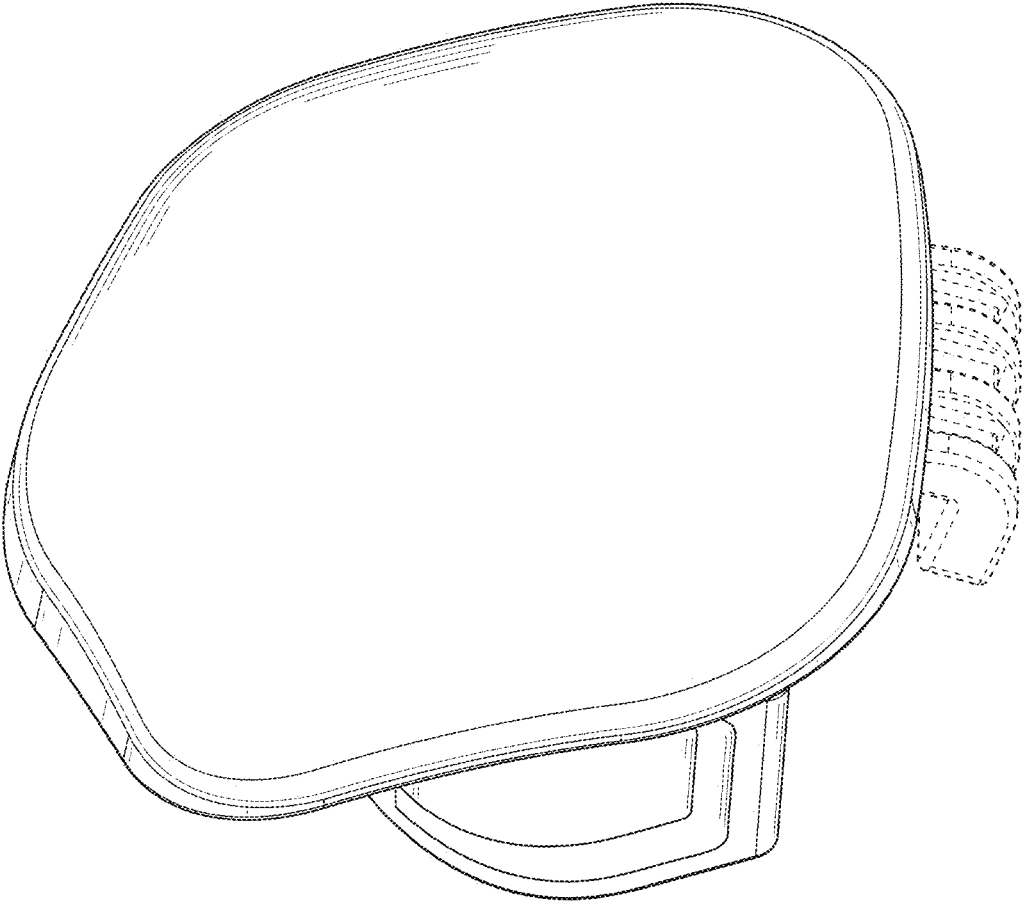


FIG. 2

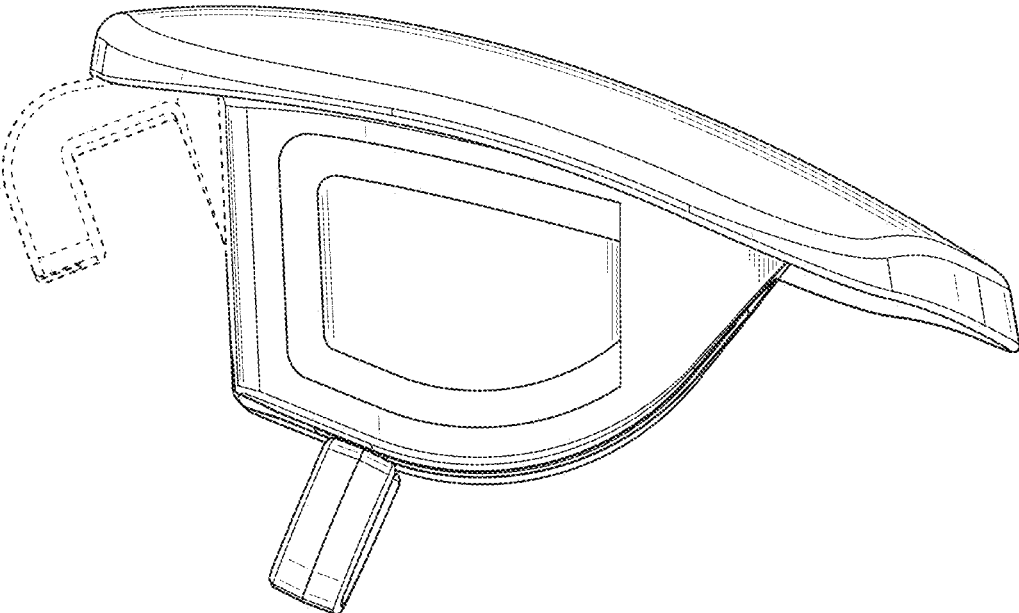


FIG. 3

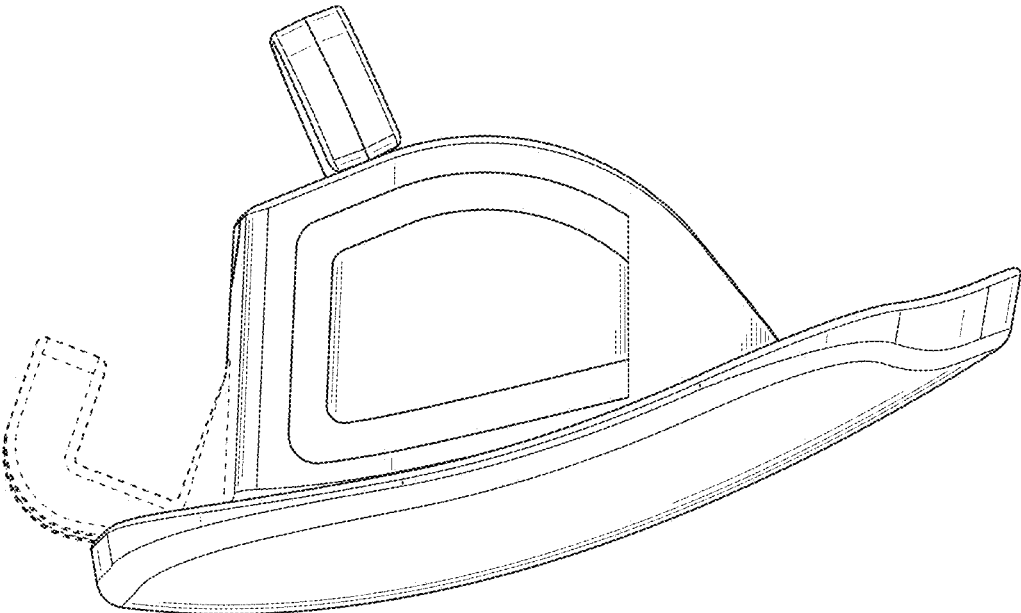


FIG. 4

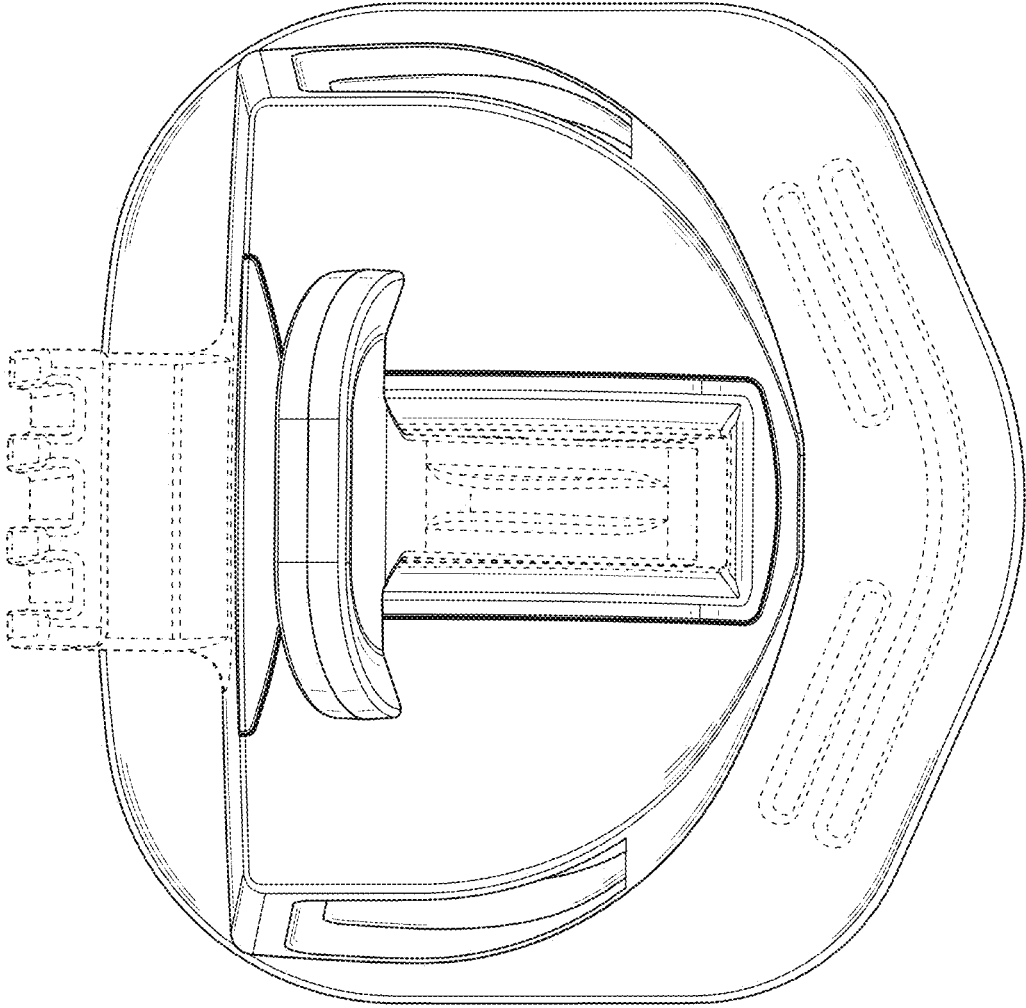


FIG. 5

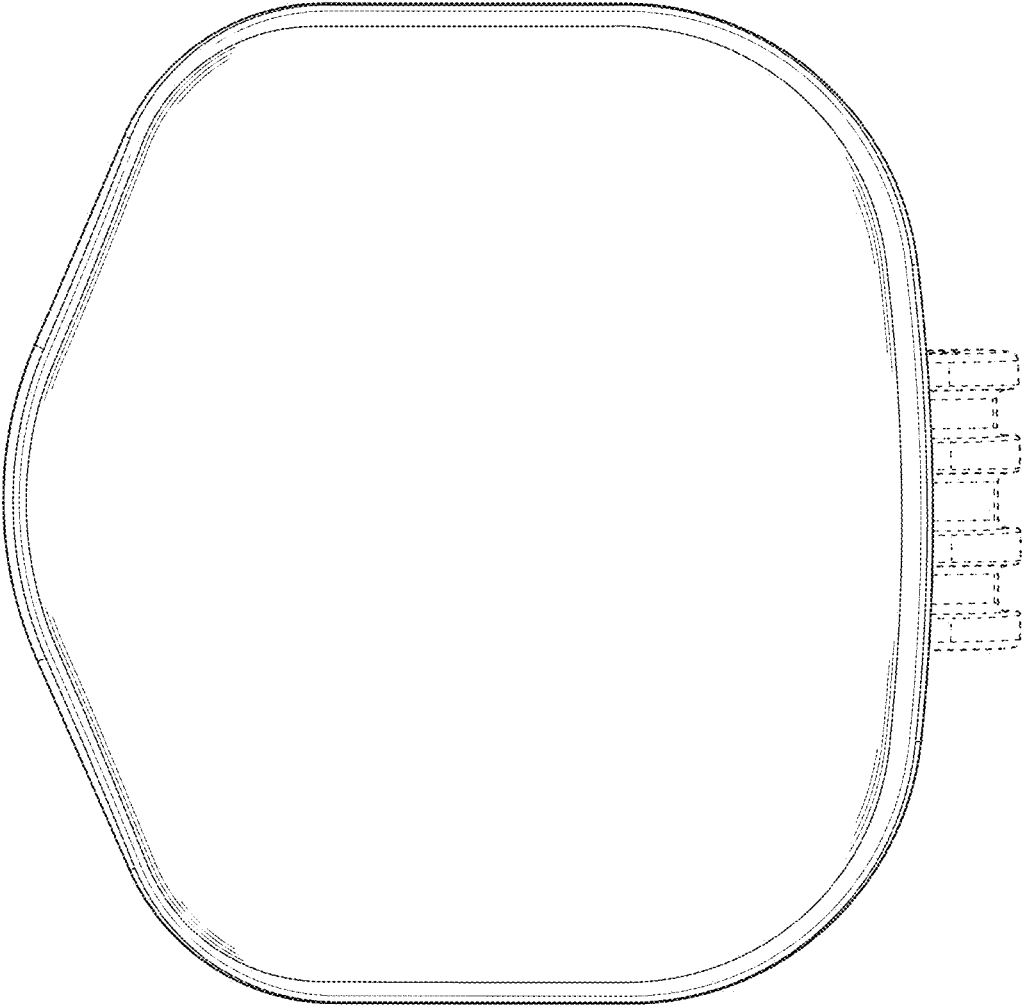


FIG. 6

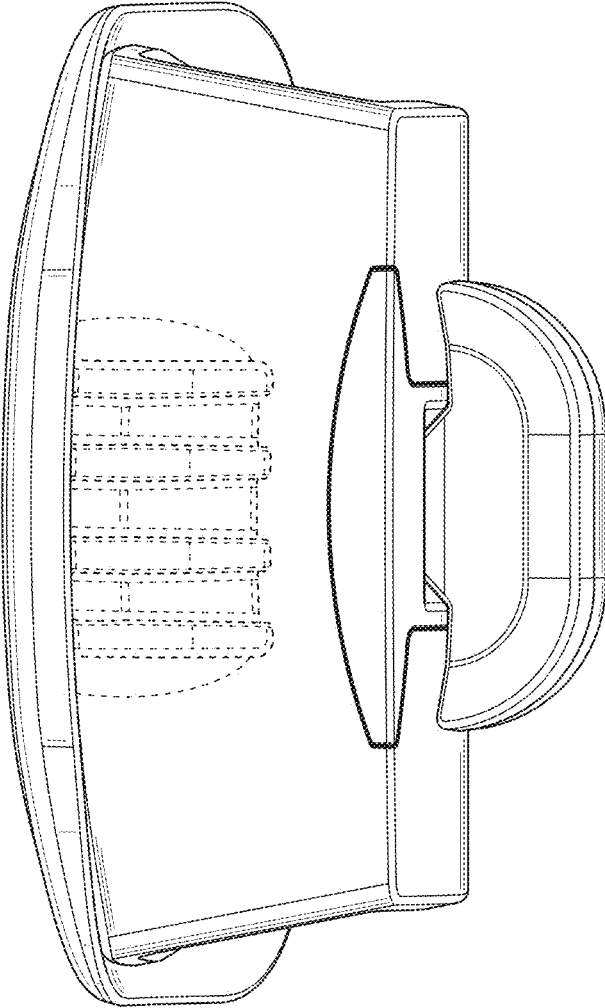


FIG. 7

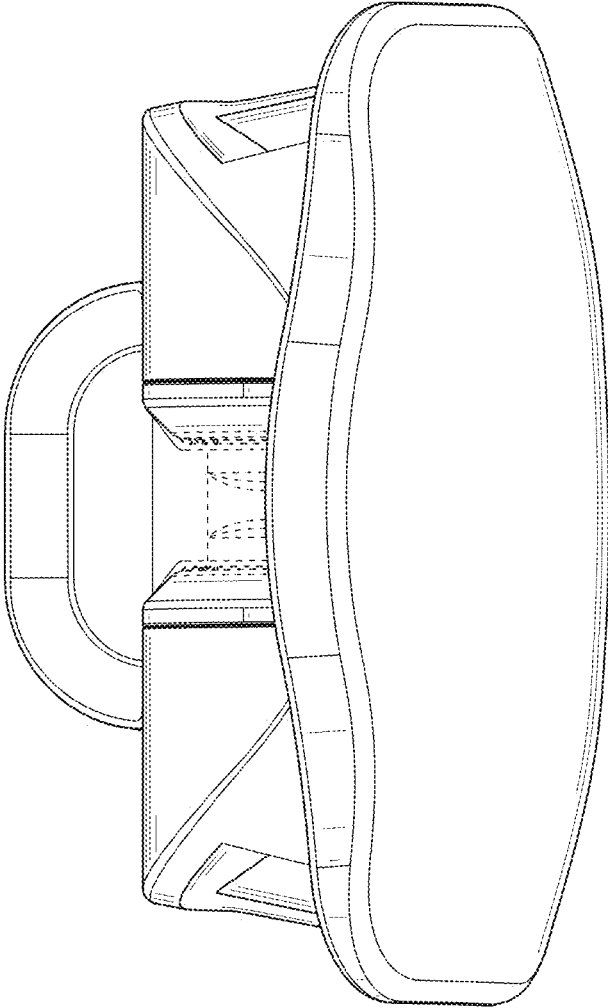


FIG. 8

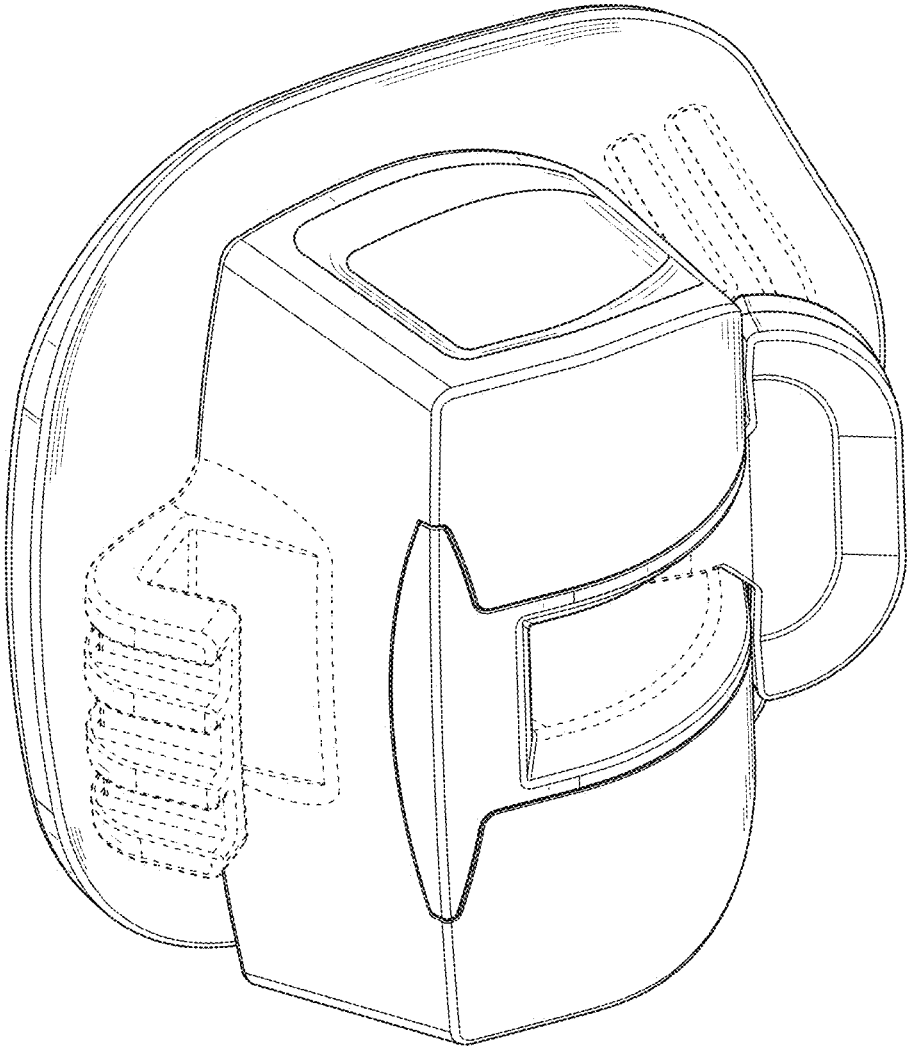


FIG. 9

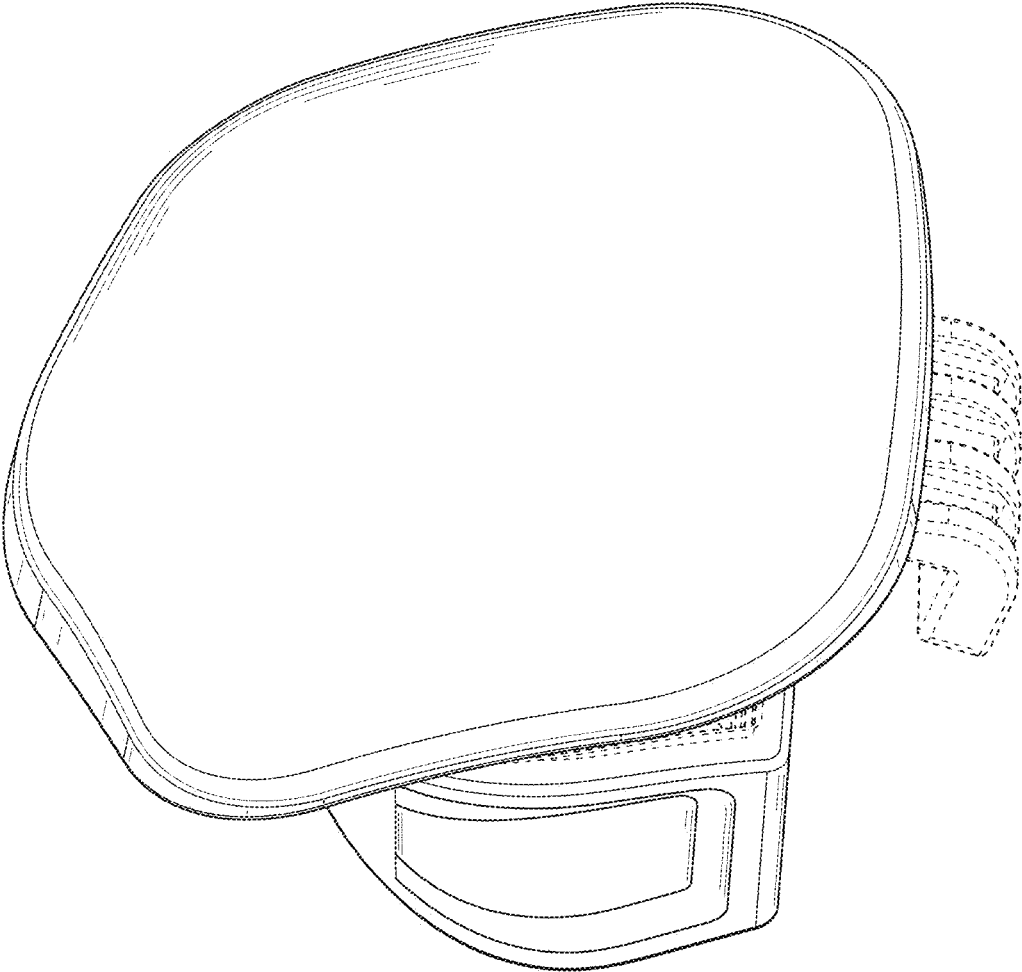


FIG. 10

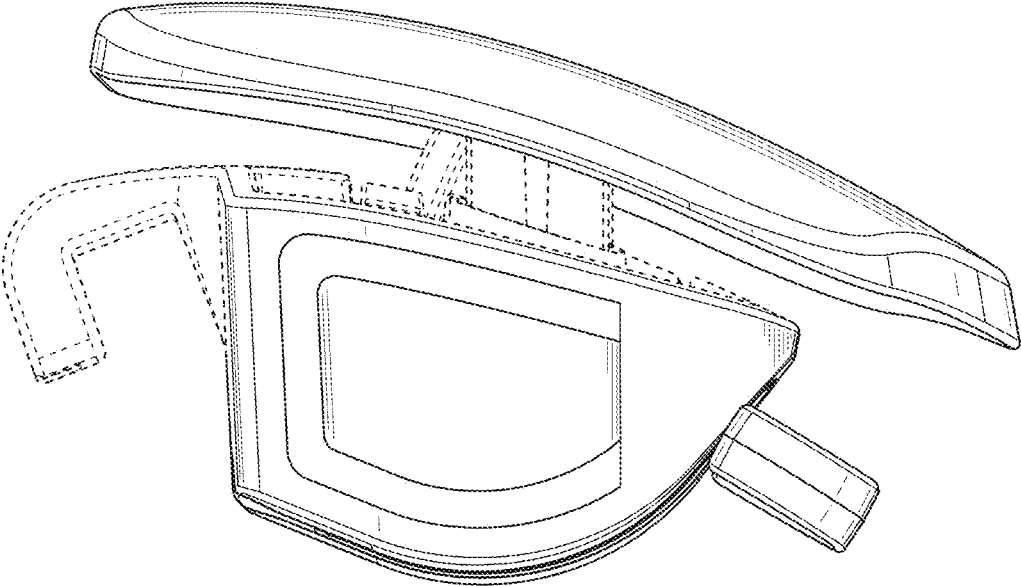


FIG. 11

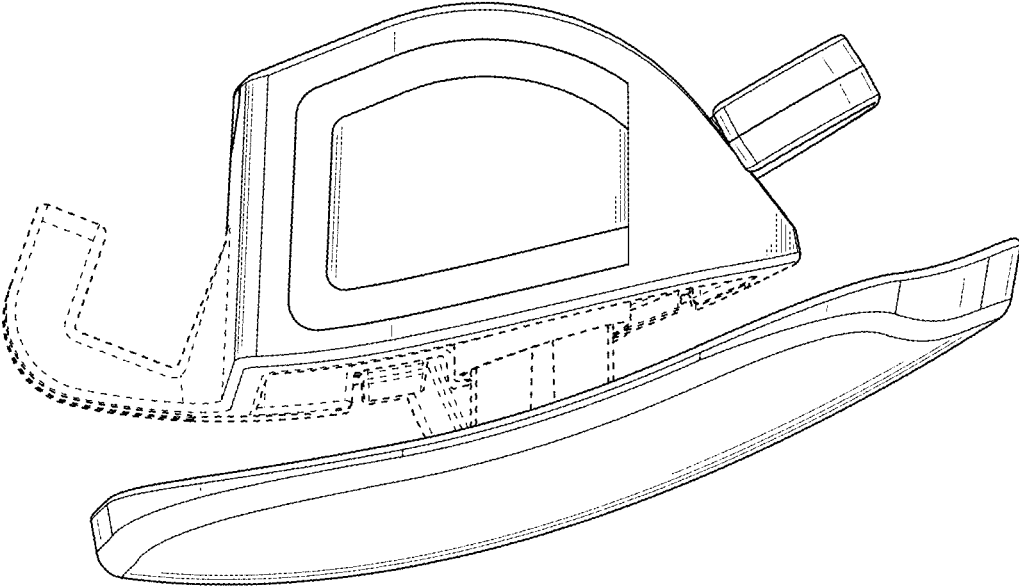


FIG. 12

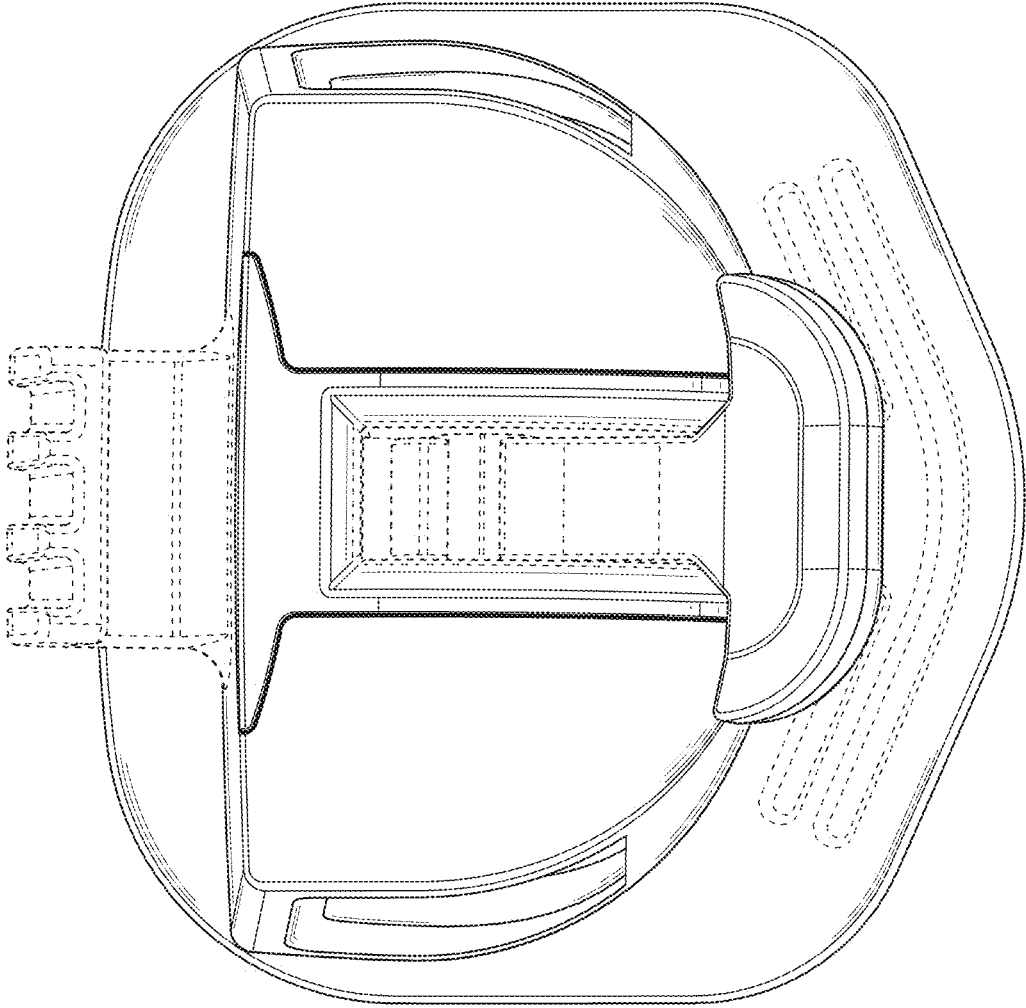


FIG. 13

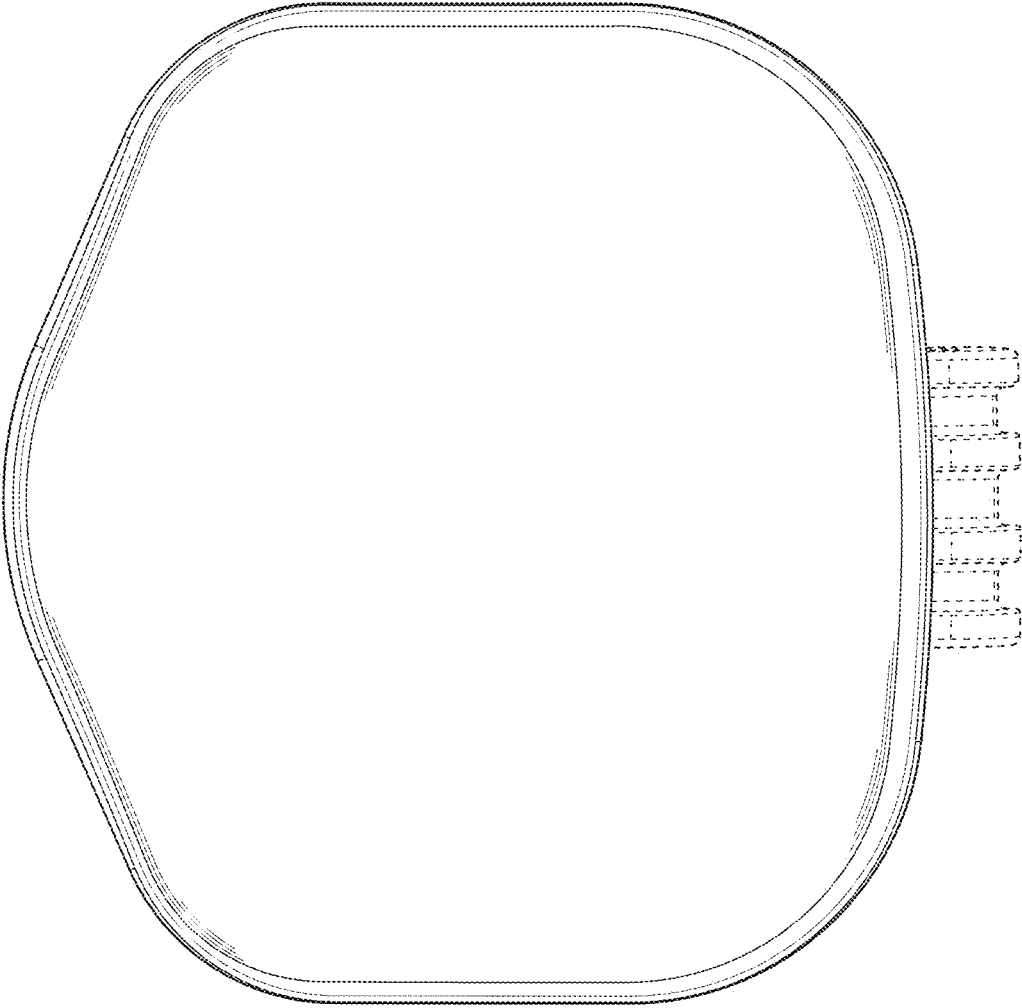


FIG. 14

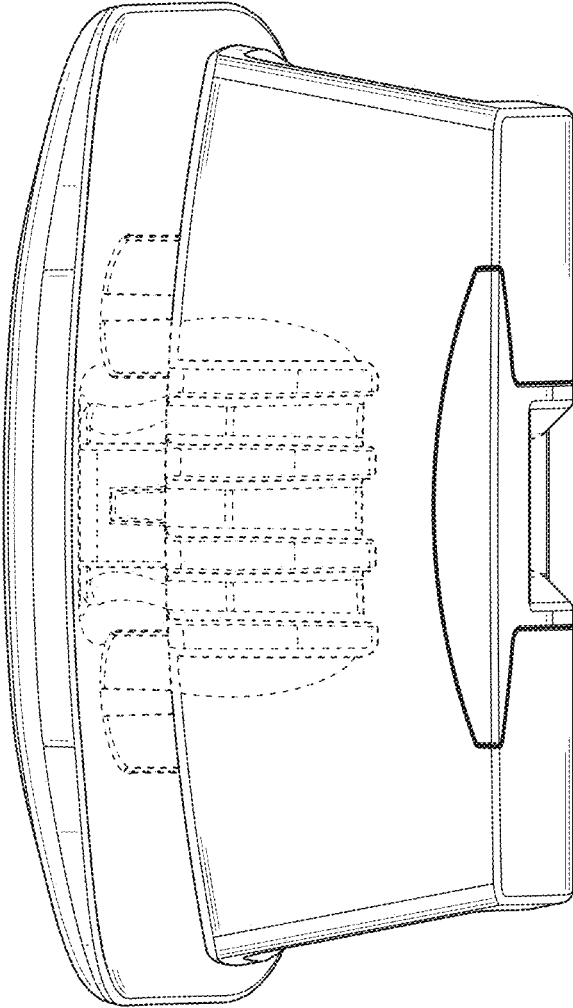


FIG. 15

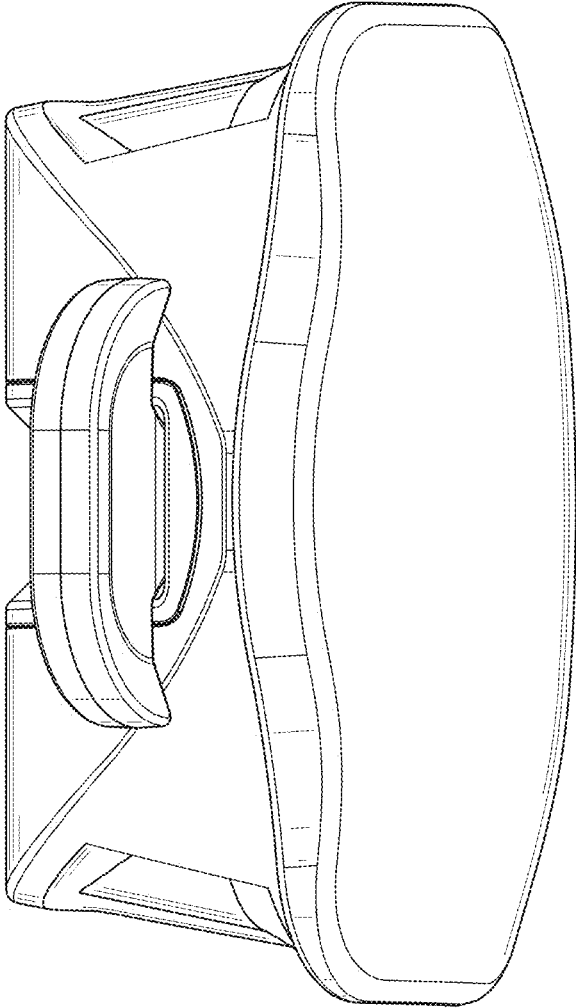


FIG. 16

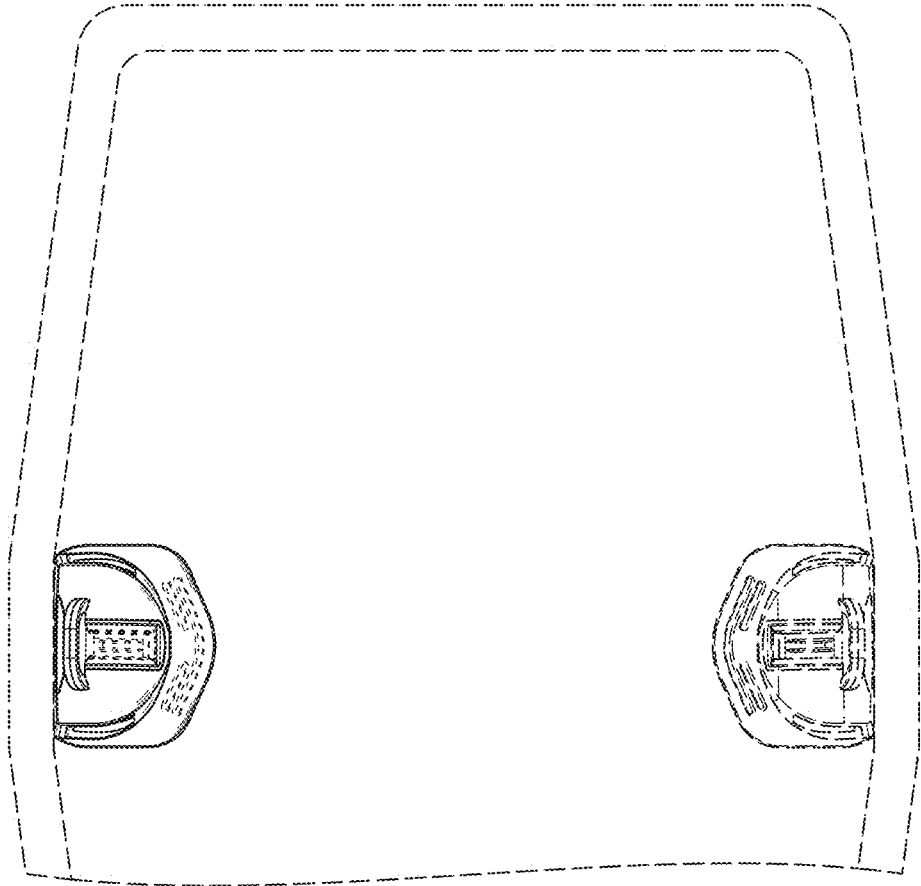


FIG. 17