



US00D948929S

(12) **United States Design Patent**  
**Zhang**

(10) **Patent No.:** **US D948,929 S**

(45) **Date of Patent:** **\*\* Apr. 19, 2022**

(54) **LID**  
(71) Applicant: **THINK GREEN LIMITED**, Auckland (NZ)  
(72) Inventor: **Shu Ting Zhang**, Hubei (CN)  
(73) Assignee: **THINK GREEN LIMITED**, Auckland (NZ)  
(\*\*) Term: **15 Years**  
(21) Appl. No.: **29/786,970**

D764,232 S	8/2016	Marina et al.	
D802,743 S *	11/2017	Davis	D9/434
D813,668 S	3/2018	Miller	
D820,085 S *	6/2018	Moore	D9/449
D877,884 S	3/2020	Davis et al.	
D894,670 S *	9/2020	Adams, Jr.	D7/392.1
D899,250 S *	10/2020	Yang	D9/440
D913,746 S	3/2021	Nichols et al.	
D933,203 S *	10/2021	Zhang	D24/121
2005/0184026 A1 *	8/2005	Haley	B65D 47/141 222/484
2007/0108153 A1 *	5/2007	Weist	B65D 47/36 215/215

(22) Filed: **Jun. 3, 2021**  
(30) **Foreign Application Priority Data**  
Apr. 1, 2021 (CN) ..... 202130183152.0  
(51) **LOC (13) Cl.** ..... **07-09**  
(52) **U.S. Cl.**  
USPC ..... **D7/392.1**  
(58) **Field of Classification Search**  
USPC ..... D7/300, 306, 365, 376, 392, 392.1,  
D7/396.2, 507, 509, 511, 607, 665, 666;  
D9/434, 435, 439, 440, 443, 450;  
D24/108  
CPC ..... A47G 19/2272; B65D 43/0225  
See application file for complete search history.

**FOREIGN PATENT DOCUMENTS**

CA	187854	6/2020
EM	008030043-0005	7/2020

\* cited by examiner

*Primary Examiner* — S. Bryan Reinholdt, Jr.  
(74) *Attorney, Agent, or Firm* — Dragon Sun Law Firm, PC; Jinggao Li, Esq.

(57) **CLAIM**

The ornamental design for a lid, as shown and described.

**DESCRIPTION**

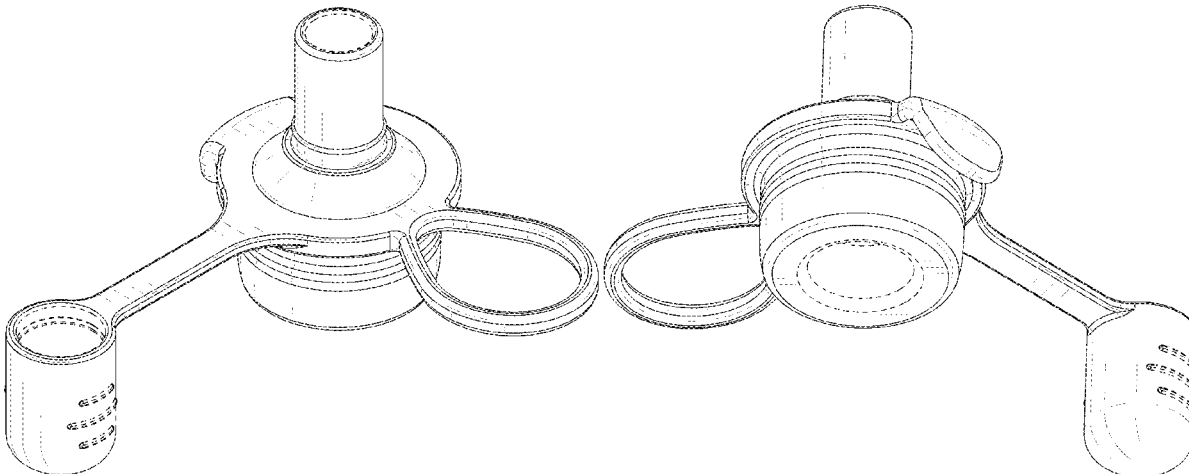
FIG. 1 is a perspective view of a lid showing my new design; FIG. 2 is another perspective view thereof; FIG. 3 is a front elevation view thereof; FIG. 4 is a rear elevation view thereof; FIG. 5 is a left elevation view thereof; FIG. 6 is a right elevation view thereof; FIG. 7 is a top plan view thereof; and, FIG. 8 is a bottom plan view thereof. The broken lines shown in the figures depict portions of the lid that form no part of the claimed design.

**1 Claim, 8 Drawing Sheets**

(56) **References Cited**

**U.S. PATENT DOCUMENTS**

D404,646 S *	1/1999	Black, Sr.	D9/446
D437,782 S *	2/2001	Haley	D9/440
D487,227 S *	3/2004	Haley	D9/434
D643,722 S *	8/2011	Gorskey	D9/446
D741,176 S *	10/2015	Bell	D9/446
D758,789 S *	6/2016	Moore	D9/449



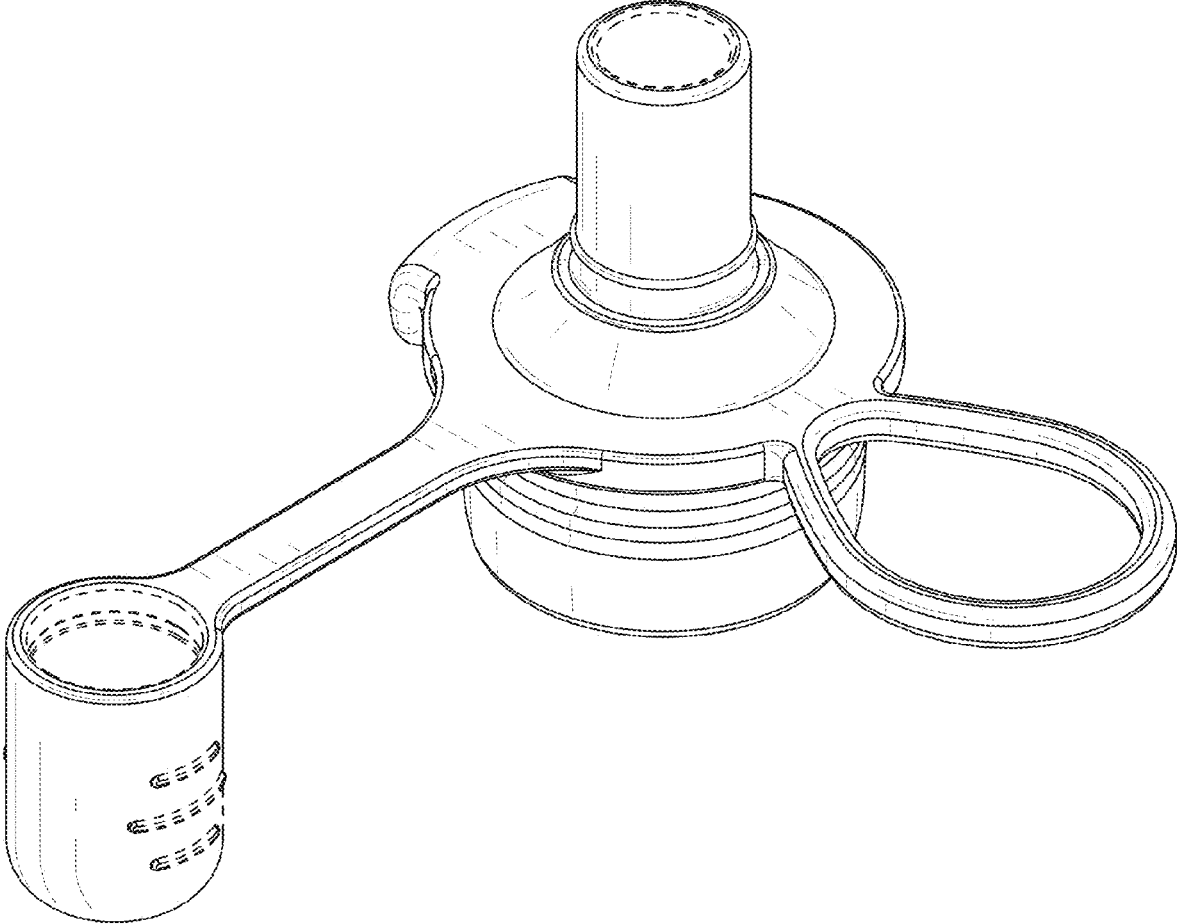


FIG.1

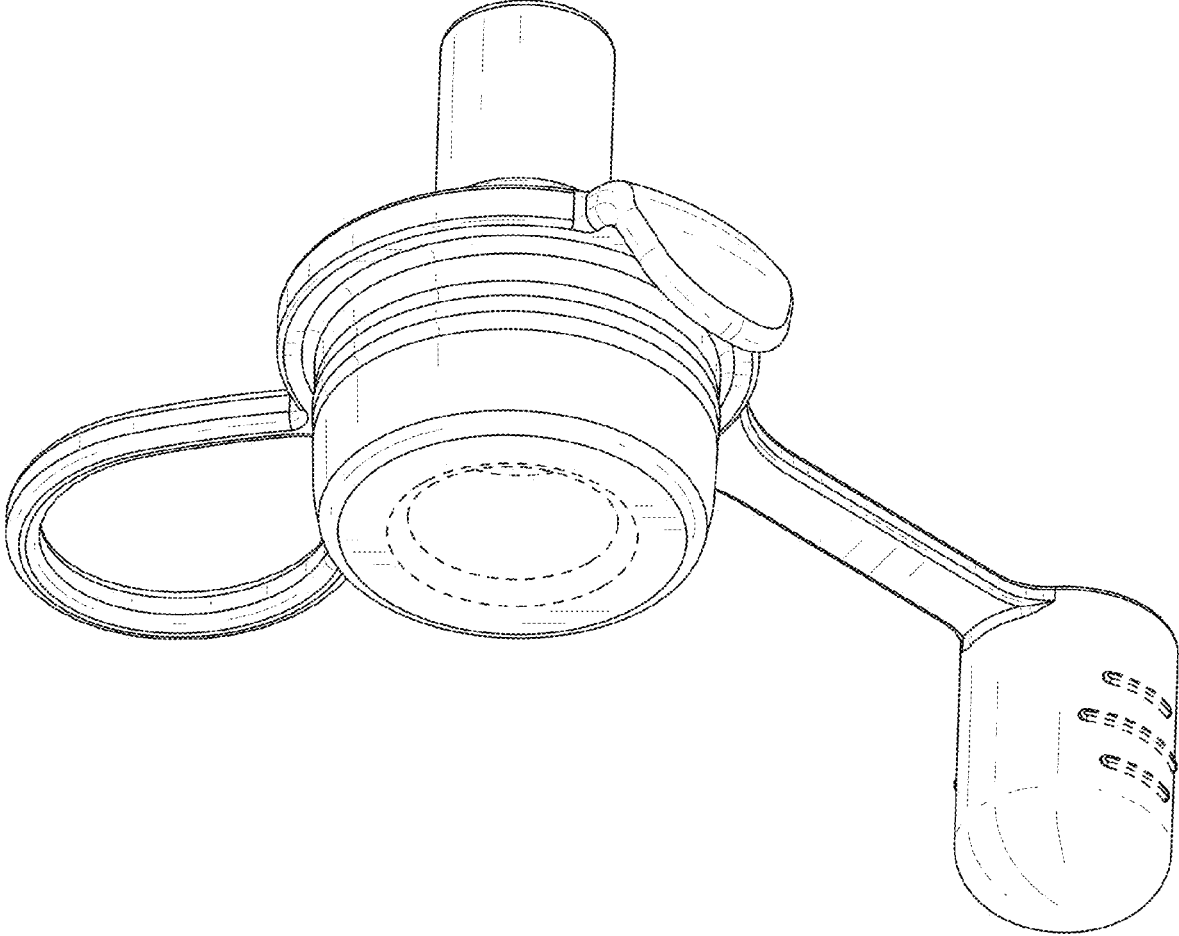


FIG.2

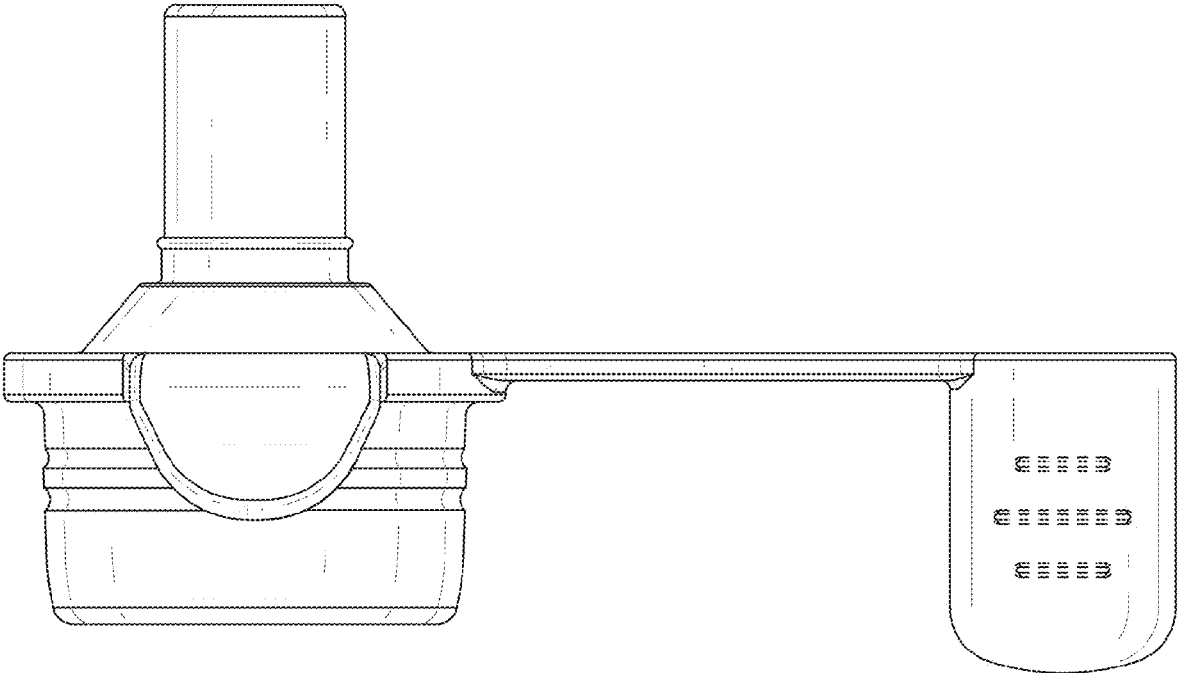


FIG.3

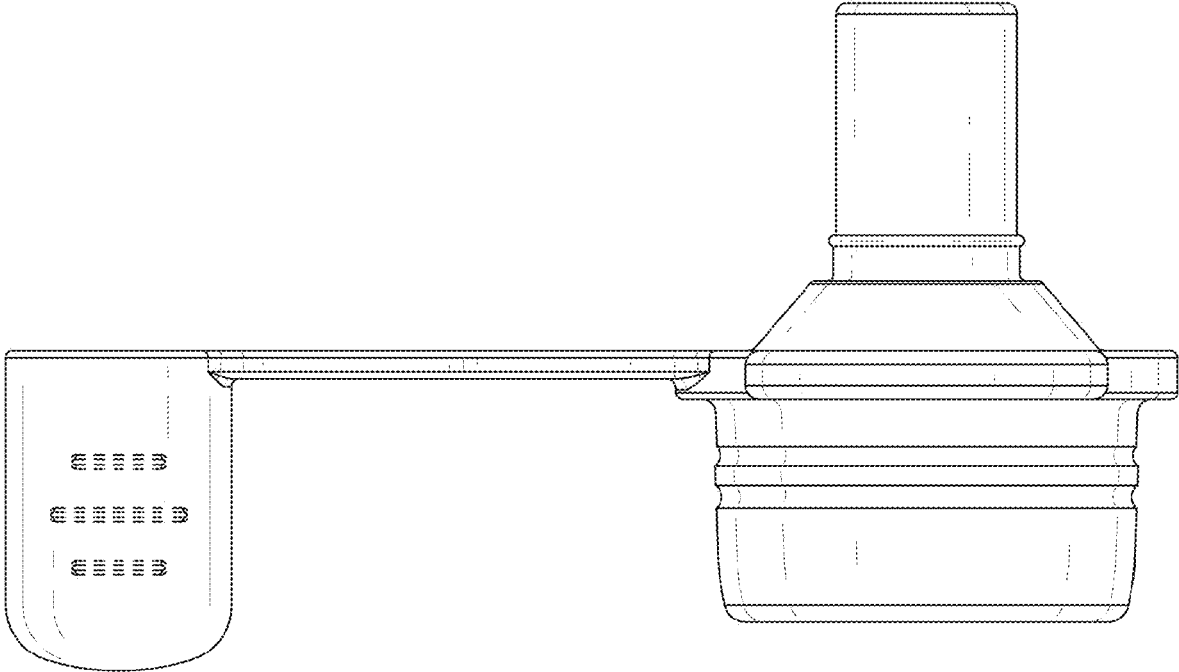


FIG.4

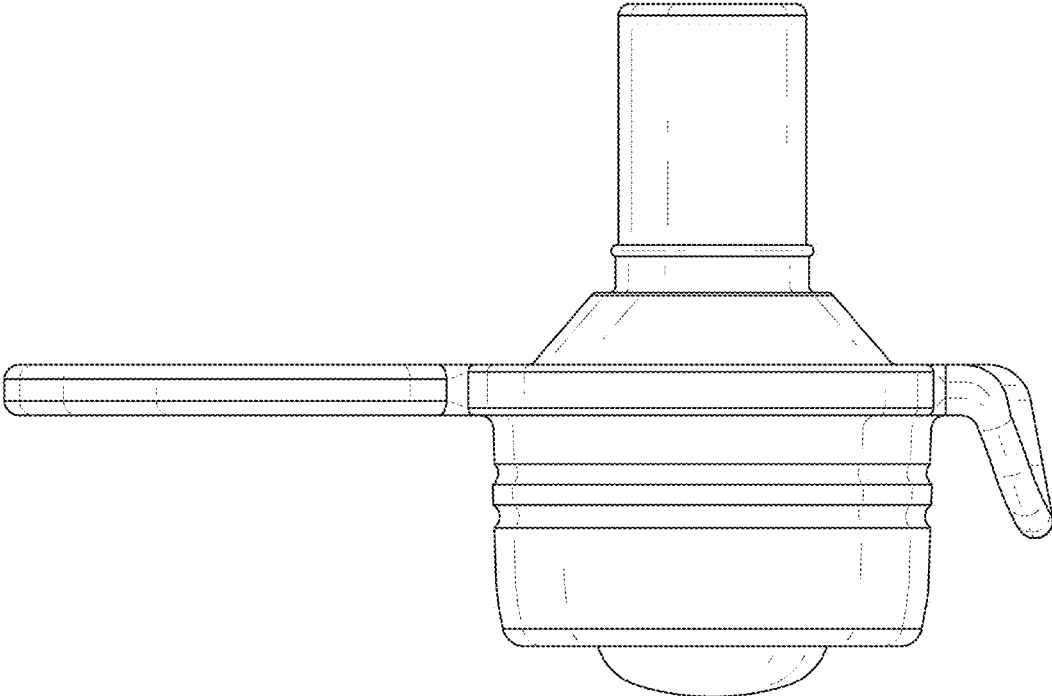


FIG.5

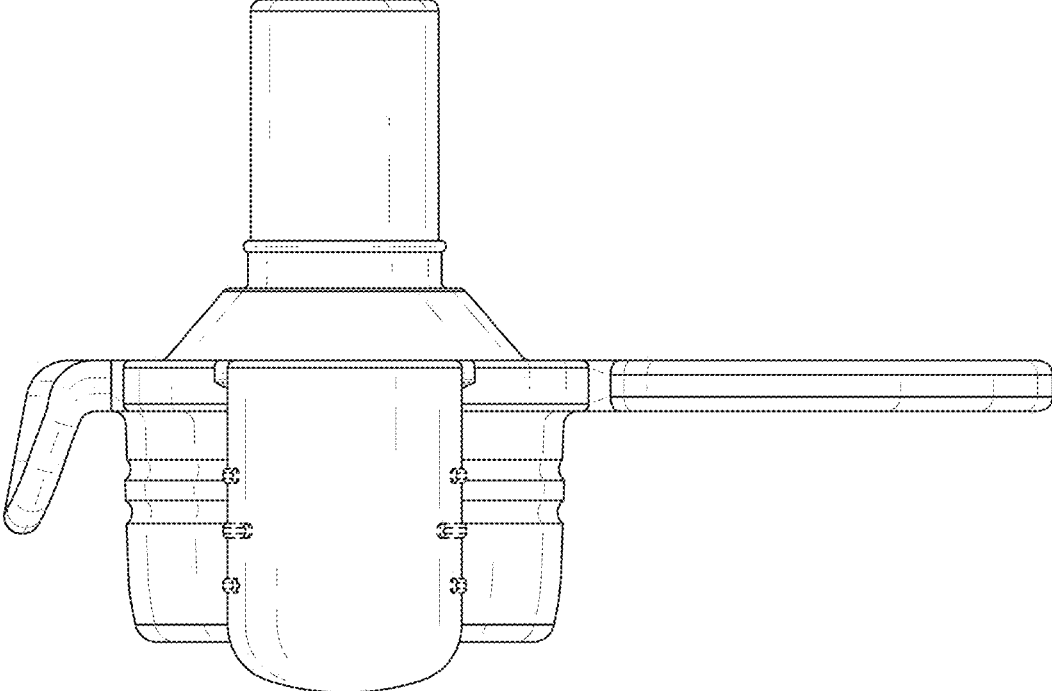


FIG.6

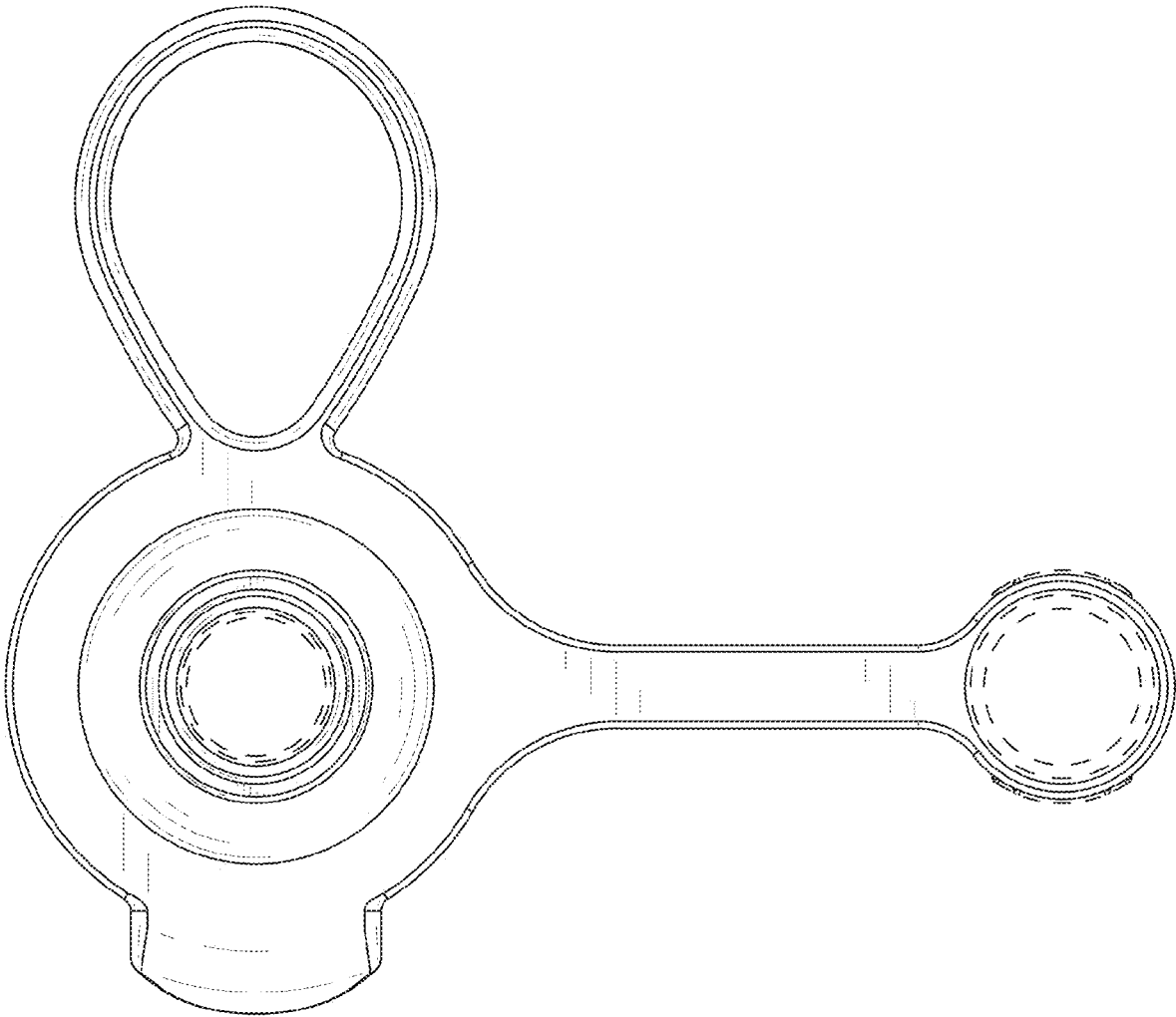


FIG. 7



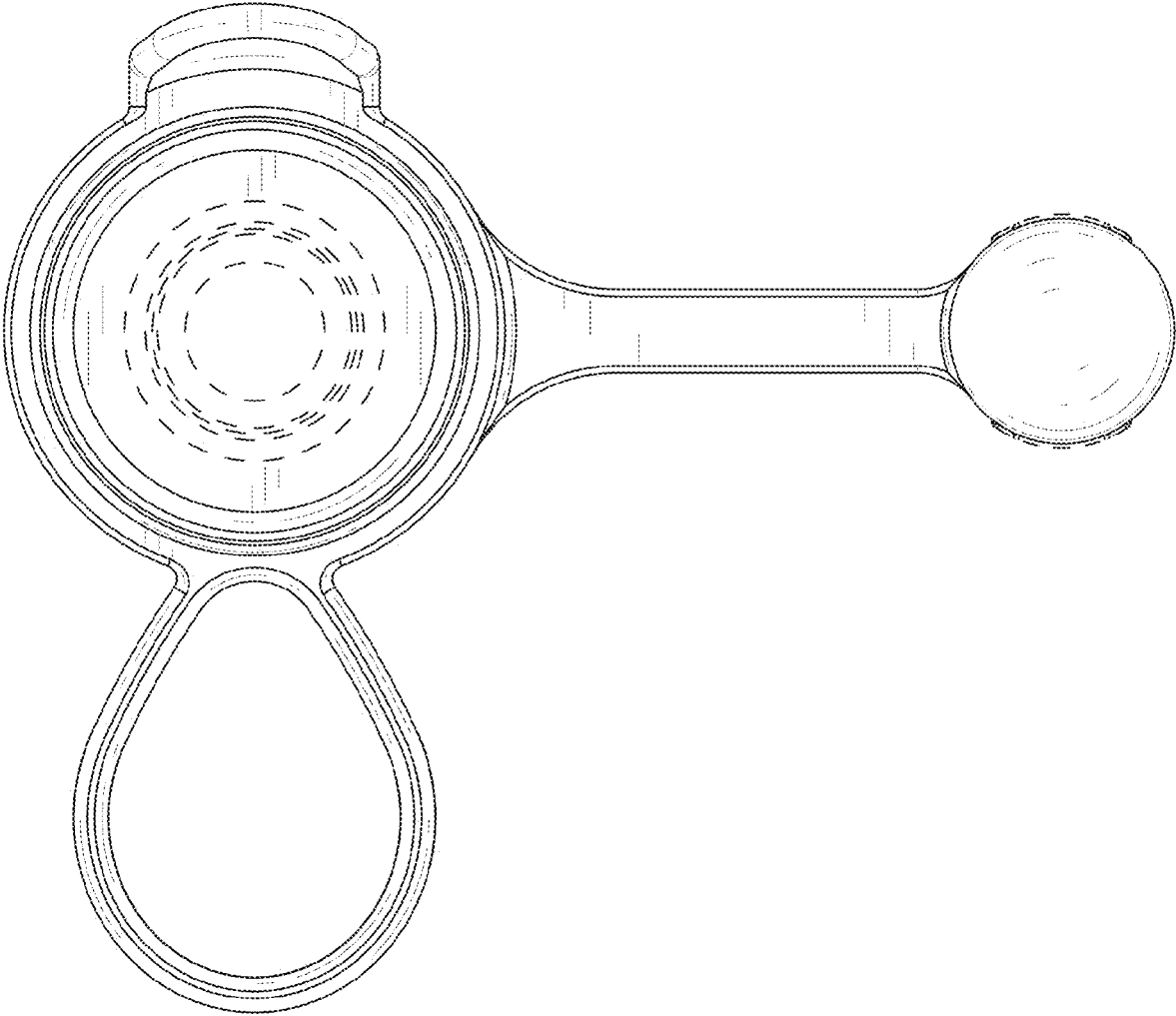


FIG.8