

(19) (KR)
(12) (A)

(51) 。 Int. Cl. ⁷
G10L 15/22

(11)
(43)

2002 - 0077422
2002 10 11

(21) 10 - 2002 - 7010153
(22) 2002 08 07
2002 08 07
(86) PCT/IB2001/02317
(86) 2001 12 05

(87)
(87)

WO 2002/46959
2002 06 13

(81) : , , ,
EP : , , , , ,
, , , , , , , , , , , , , ,
,
(30) 09/733,880 2000 12 08 (US)
(71) . . 1
, ,
(72) , , . - 5656 6
(74)
:

(54)

(search server) (information source) (user address) ,
(URL) . (verbal request) ,
, (speech recognition system) . ,
" (reply - to address)" ,
. 가 ,

3a

(search server), (information source), (verbal request)

(spoken commands)

(local)" (spoken words) (phrases) (text strings) (remote)" / " (integrated)" (dist
 ributed)" (remote site) (local site) (user stations) (t
 otally) (reside), " " 가 (voice - input control application) (encoding) (routing)

1 (general purpose) (100) (100) (110),
 (120), (dictionary)(125) (110) (speech modeler)(112)
 (114) 가 (microphone)(101) (112)
 (voice input) (effect)
 (particular scheme) (phoneme)
 (120)
 (125)

(114) (120) (action)
 " 가 (GO TO WORD)" (110)
 (140) (130) " (Begin
 Dictation)" (End Dictation) (120)
 , (140)

(120) (sma
 ll vocabulary system) , (120) 가 가 가 (ma

tch) (large vocabulary system) , (120)
 , (auxiliary information) 가
 가
 " (Call Joe)" (125) " 1 - 914 - 555 - 4321" .
 , (120) (125) (112) (114)
 120) , (120) (125) , (112) (

(Ichro Hatana) , 1999 8 25 , EP0982672
 A2 " (INFORMATION RETRIEVAL SYSTEM WITH A SEARCH ASSI
 ST SYSTEM)" ,
 " (pronunciation)" ,
 가
 , (Universal resource locators(URLs)) , . URL URL
 , . Inc., (Spridge) (myspeech)
 , 가 (phone instrument) (mobile web access)
 (target) (capability)

2
 URL (220) (250) , (230) (230)
 (220)가 " (reply - to)"
 (210) , " "
 (not - found)" , URL
 (230) (210)가 " (reply - to)"
 , (210) URL (210)
 (web page) . (230) , (wireless acces
 s protocol) (WAP) (210) WAP WML(wirele
 ss markup language) " (deck)" " (cards)" (set)

(URL) (identify). (verbal request),
 , , "
 (reply - to address)"
 가 ,

1

2

3a 3b

4

3a 3b

300, 300'

(modems),

300, 300'

3a
320)

(330)
URL

URL

(320)

(submit).

(

k Prices)"

(210)

(330)

(Get Stoc

(330)

(palmtop device),

(portable computer),

(set - to

p box),

(250)

(2

50)

(getaways)()

(320)

(320)

URL

(less bandwidth)

(120)

(125)

(322)가

(myspeech)

가

(210)

" 가

", http://www.stocksonline/userpage3/

URL

(325)

EP0982672A2

URL

(120)가

(320)

(330)

URL

(122)

(330)

TCP/IP
(reply - to)"

(330)

/

(explicit) "

(330)

URL

(210)가 (210) (320) (reply - to)" (210) (210) (330) (330) (210) (320) URL

(320) (325) URL (sub - commands) URLs (325) " (next)" , " (back)" , " (home)" (325) (320) URL (210)

3b (330a) (201) (330b) (330a), (330b) (c ar navigation system) (330a) (reply - to)" (330a) " (source address)" (320) URL (320) (210) (330b) WAP (d eck) (330a) (330b), / (map) URL (325) " (show downtown)" (330a) 가 " (320) (330B0) (330a) (320) , (320b) (2 10) (210) (330b) " (zoom i n)" , " (zoom out)" , " (path north)" , (325) (320) , (330b) (originate) , (210)

(320) (330b) (330a) (3 URLs (Show Downtown Map In Car)" (325) " URL" , " URL"

4 3 (320) 4

410 URL , 420 , 430 - 450 3 (320)

(325) , , 435 ,
 가 , URL ,
 , 410 , 470 , URL ,
 가 URL , 460 ,

(arrangements)

(57)

1.

(320) ,

(330) (source address) (target identifier)

(210) (target locator)(322) ,

(210) ;

(320) (recipient)

2.

1 ,

(vocal phrase) ,

(320) (210) (322)
(210) , .

3.

1 ,

30b) (330) , (330a) (destination device)(3

4.

1 ,

(250) , .

5.

4 ,
(210) (Universal resource locators(URLs)) , .

6.

1 ,
(330) ,
(322) (text string) ,
(210) , .

7.

6 ,
(vocal phrase) ,
(322) (speech recogniz
er)(120) , .

8.

(330) ,
, , (320) ,
,
(210) (target identifier)
(210) , .

9.

8 ,
(320) , (250) , (210) ,
.

10.

8 ,
(user input) (vocal input) ,
, .

11.

0) (440), (210) (410), (470), (21

12.

11 ,

(420) (210) (search item)

13.

11 ,

(330b) (330) , (330a)

14.

11 ,

(250) (effect),

15.

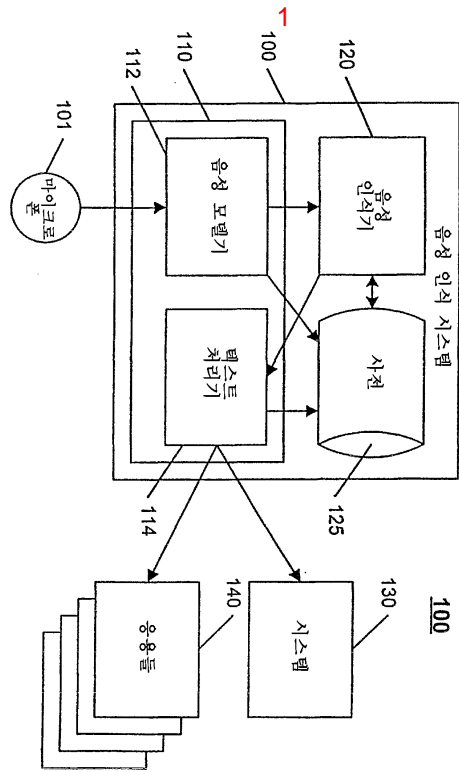
14 ,

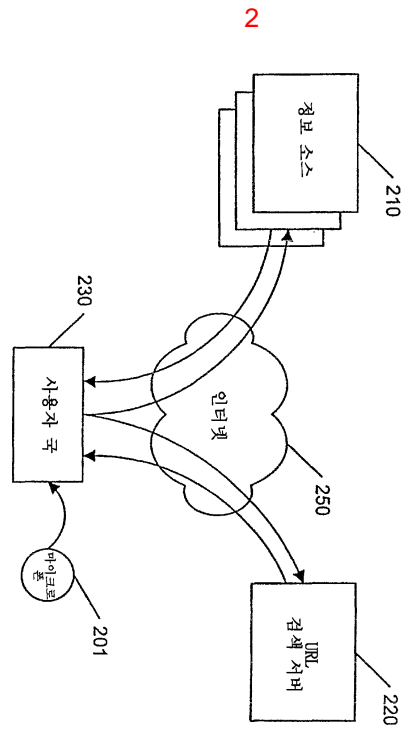
(210) (Universal resource locators(URLs)) ,

16.

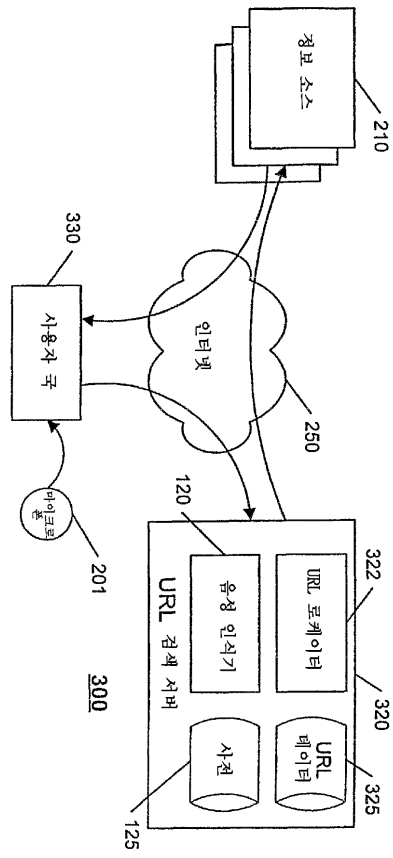
11 ,

(210)

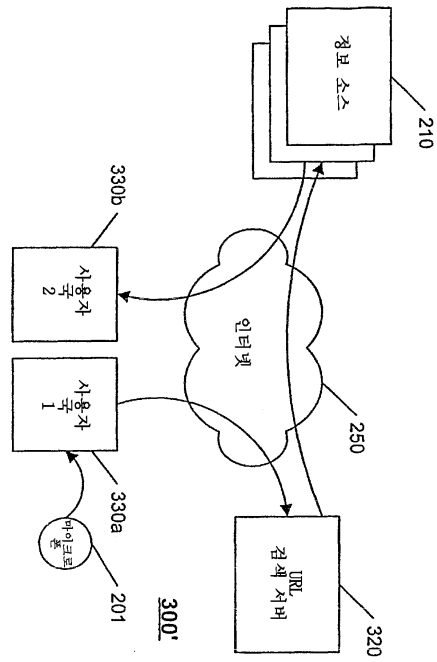




3a



3b



4

