



US00D823668S

(12) **United States Design Patent** (10) **Patent No.:** **US D823,668 S**  
**Macdonald et al.** (45) **Date of Patent:** **\*\* Jul. 24, 2018**

(54) **PYRAMID CAP CONNECTOR FOR WALL PANEL SYSTEM**

3,424,178 A \* 1/1969 Yazaki ..... A01G 9/16  
135/157  
3,645,569 A \* 2/1972 Reilly ..... A47B 47/0008  
403/217  
D264,049 S \* 4/1982 Magner ..... D8/382  
D272,766 S \* 2/1984 Guerriero ..... D25/68  
4,439,960 A 4/1984 Jenkins  
D306,690 S \* 3/1990 Bison ..... D8/373  
4,999,960 A 3/1991 Herwegh et al.  
5,067,293 A 11/1991 Reynolds  
5,220,759 A 6/1993 Hossli  
5,226,274 A 7/1993 Sommerstein  
5,239,798 A 8/1993 Saito

(71) Applicant: **Exterior Wall Systems Limited (Ontario Panelization)**, London, Ontario (CA)

(72) Inventors: **Robert B. Macdonald**, London (CA);  
**Philip A. Macdonald**, London (CA);  
**Alexander K. Williams**, London (CA);  
**Jonathan W. Hoy**, London (GB)

(73) Assignee: **Exterior Wall Systems Limited (Ontario Panelization)**, London, Ontario

(\*\*) Term: **15 Years**

(21) Appl. No.: **29/592,485**

(22) Filed: **Jan. 31, 2017**

(51) **LOC (11) Cl.** ..... **08-08**

(52) **U.S. Cl.**  
USPC ..... **D8/349**

(58) **Field of Classification Search**  
USPC ..... D8/349, 354, 382, 383, 384, 403;  
D25/113, 114, 119, 120-125, 131, 136,  
D25/199; D21/484, 486, 500, 501, 839,  
D21/468, 470, 471, 478, 479; D3/10  
CPC ... E04F 13/0826; E04F 13/12; E04F 13/0889;  
E04F 13/08; E04H 1/00; E04B  
2001/5856; Y10T 403/349; Y10T  
403/341; Y10T 403/347  
See application file for complete search history.

(56) **References Cited**

**U.S. PATENT DOCUMENTS**

117,370 A \* 7/1871 Bates ..... E04H 15/44  
135/121  
D174,951 S \* 6/1955 Frishberg ..... 446/111  
3,252,287 A \* 5/1966 Suzuki ..... E02B 3/129  
273/160

(Continued)

**OTHER PUBLICATIONS**

Screen shots taken from www.keithpanel.com (Keith Panel Systems), accessed Mar. 6, 2017.

(Continued)

*Primary Examiner* — Jennifer Rivard  
*Assistant Examiner* — Alison M Ofstun  
(74) *Attorney, Agent, or Firm* — Peter L. Brewer; Thrive IP

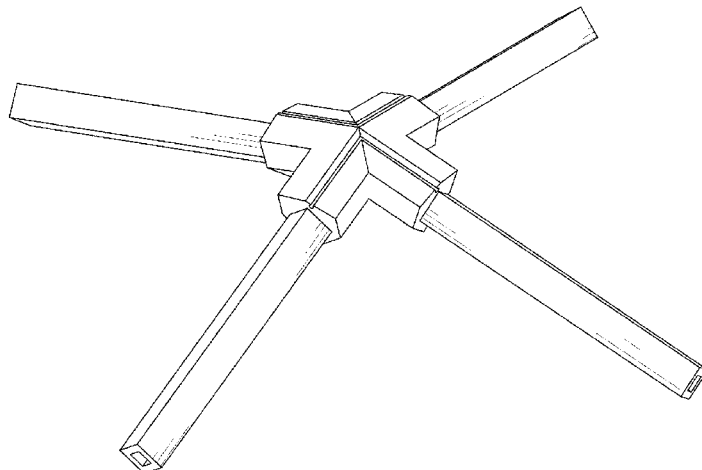
(57) **CLAIM**

The ornamental design for a pyramid cap connector for wall panel system, as shown and described.

**DESCRIPTION**

FIG. 1 is a top perspective view of a pyramid cap connector for wall panel system showing our new design.  
FIG. 2 is a second perspective view thereof.  
FIG. 3 is a front elevation view thereof.  
FIG. 4 is a rear elevation view thereof.  
FIG. 5 is a top plan view thereof.  
FIG. 6 is a bottom plan view thereof.  
FIG. 7 is a right side elevation view thereof; and,  
FIG. 8 is a left side elevation view thereof.

**1 Claim, 4 Drawing Sheets**



(56)

References Cited

U.S. PATENT DOCUMENTS

5,263,292 A 11/1993 Holland et al.  
 D342,328 S \* 12/1993 Granstrom ..... D25/126  
 5,301,484 A 4/1994 Jansson  
 5,379,561 A 1/1995 Saito  
 D355,589 S \* 2/1995 Kuwata ..... D8/382  
 D360,267 S 7/1995 DiGiorgio  
 5,522,193 A 6/1996 Sommerstein et al.  
 D373,200 S 8/1996 Colitto  
 D379,242 S 5/1997 Lin  
 D388,887 S 1/1998 Hersh et al.  
 D400,080 S 10/1998 Beard, Jr.  
 D405,197 S 2/1999 Arcati et al.  
 D417,737 S 12/1999 Stansfield  
 D423,910 S 5/2000 Cyrell  
 6,065,259 A 5/2000 Clear  
 D429,347 S 8/2000 Doyle et al.  
 D431,373 S \* 10/2000 Zappitelli ..... D21/479  
 D461,014 S 7/2002 Marshall  
 6,427,408 B1 8/2002 Krieger  
 6,484,465 B2 11/2002 Higgins  
 D491,450 S \* 6/2004 Braun ..... D8/382  
 6,748,709 B1 6/2004 Sherman et al.  
 D496,248 S 9/2004 Liebendorfer  
 D501,936 S 2/2005 Kim  
 D583,219 S \* 12/2008 Dagg ..... D8/349  
 D592,492 S \* 5/2009 Werschmidt ..... D8/382  
 D619,447 S 7/2010 Liu  
 D619,880 S 7/2010 MacDonald et al.  
 D622,864 S \* 8/2010 Bajrami ..... D25/35  
 D626,663 S 11/2010 Stephens

8,166,716 B2 5/2012 Macdonald et al.  
 D662,805 S 7/2012 Macdonald et al.  
 D666,321 S 8/2012 Morton  
 D675,046 S 1/2013 Kloppers  
 D692,592 S 10/2013 Kosonen  
 8,595,996 B2 12/2013 Korman et al.  
 8,745,941 B2 6/2014 Macdonald et al.  
 D718,888 S 12/2014 Schwarz et al.  
 D731,677 S 6/2015 Bernier  
 9,068,358 B2 6/2015 Macdonald et al.  
 D736,958 S 8/2015 Chaney et al.  
 9,163,394 B1 \* 10/2015 Barker ..... E04H 6/025  
 D744,667 S 12/2015 Macdonald et al.  
 D745,192 S 12/2015 Suci et al.  
 D760,403 S 6/2016 Bilge  
 D767,786 S 9/2016 Smith  
 D778,465 S 2/2017 Zombek  
 D783,390 S \* 4/2017 Nelson ..... D8/349  
 D815,300 S \* 4/2018 Lin ..... F16B 7/10  
 D25/38.1  
 2006/0029462 A1 \* 2/2006 Patberg ..... B62D 23/005  
 403/171  
 2007/0119105 A1 5/2007 MacDonald et al.

OTHER PUBLICATIONS

Screen shots taken from [www.dri-design.com](http://www.dri-design.com) (Dri-Design Wall Panel System), accessed Mar. 6, 2017.  
 Screen shots taken from [www.elward.com](http://www.elward.com) (Elward Systems Corporation), accessed Mar. 6, 2016.

\* cited by examiner

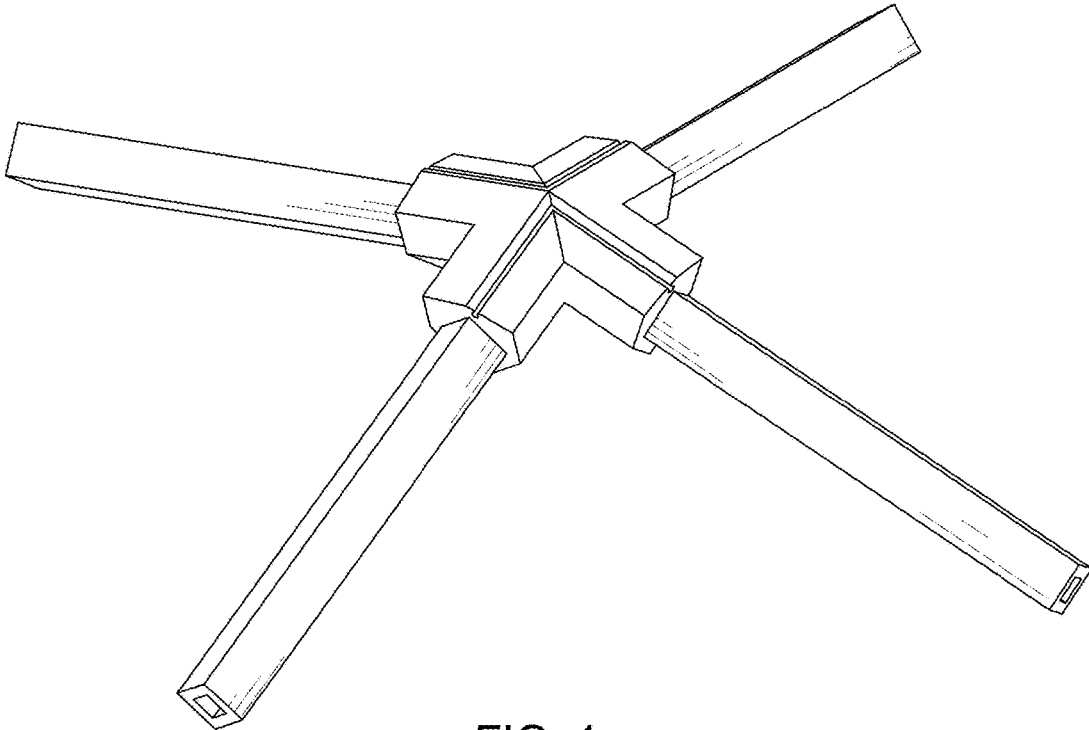


FIG. 1

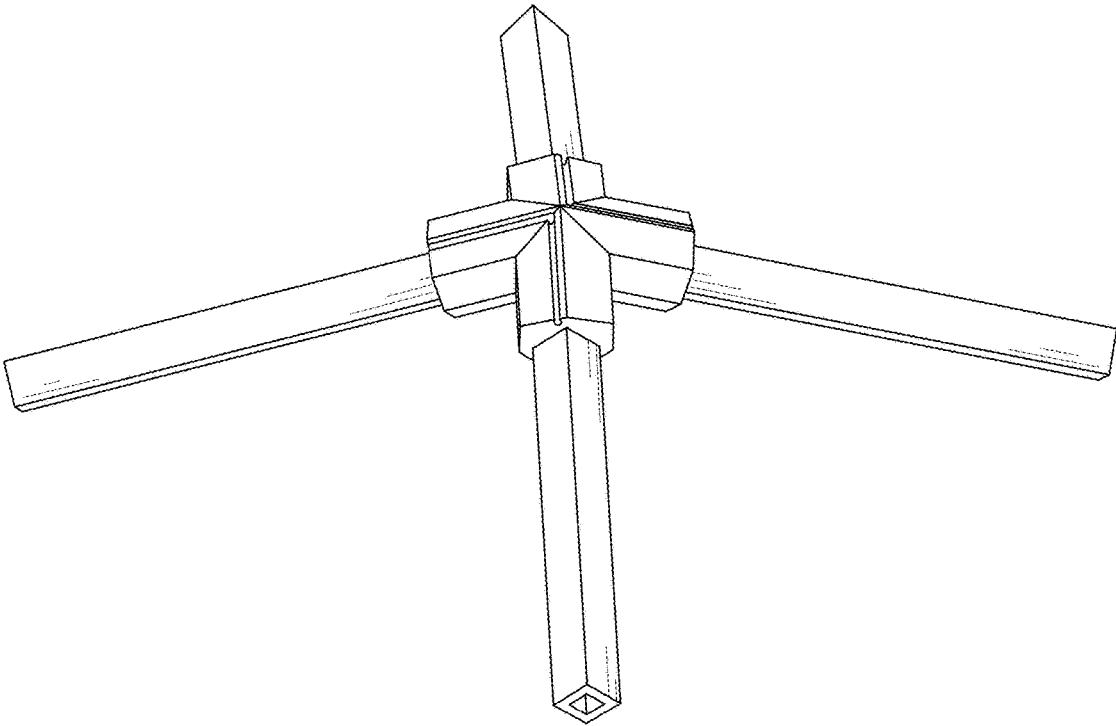


FIG. 2

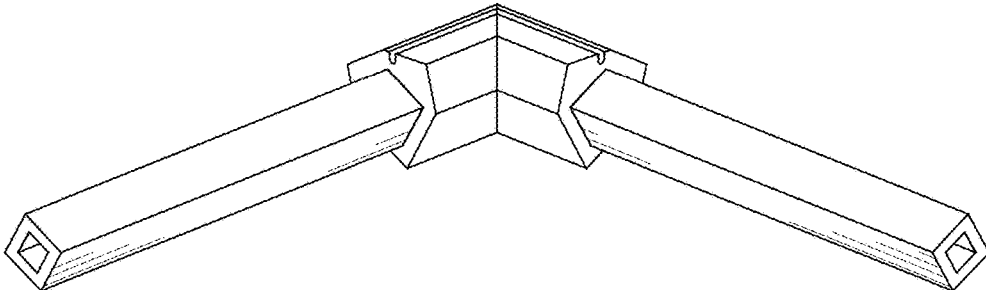


FIG. 3

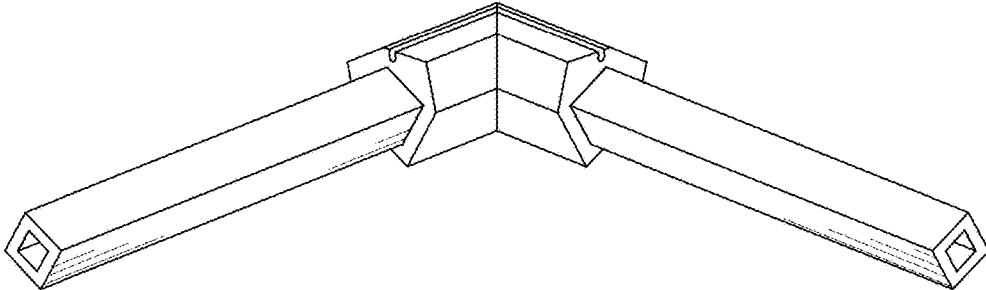
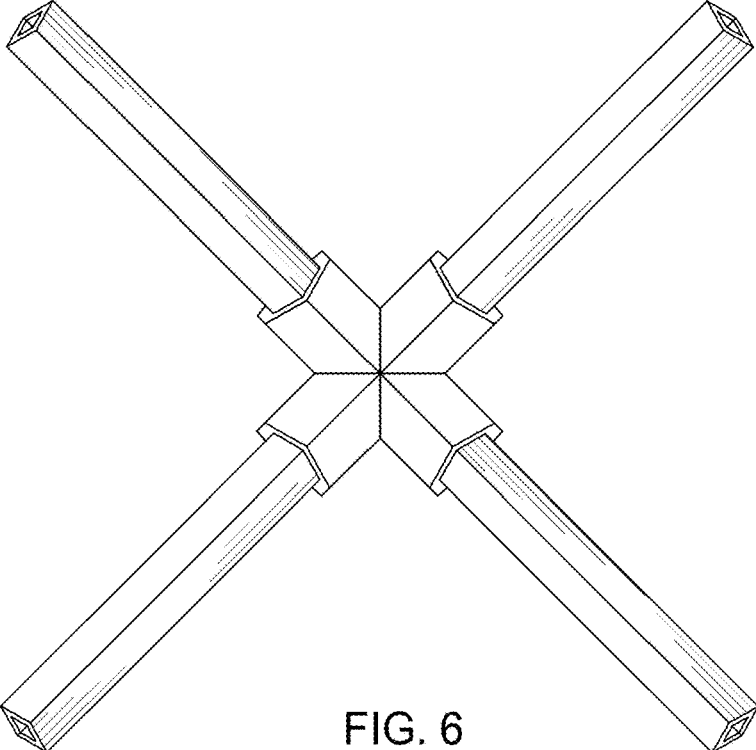
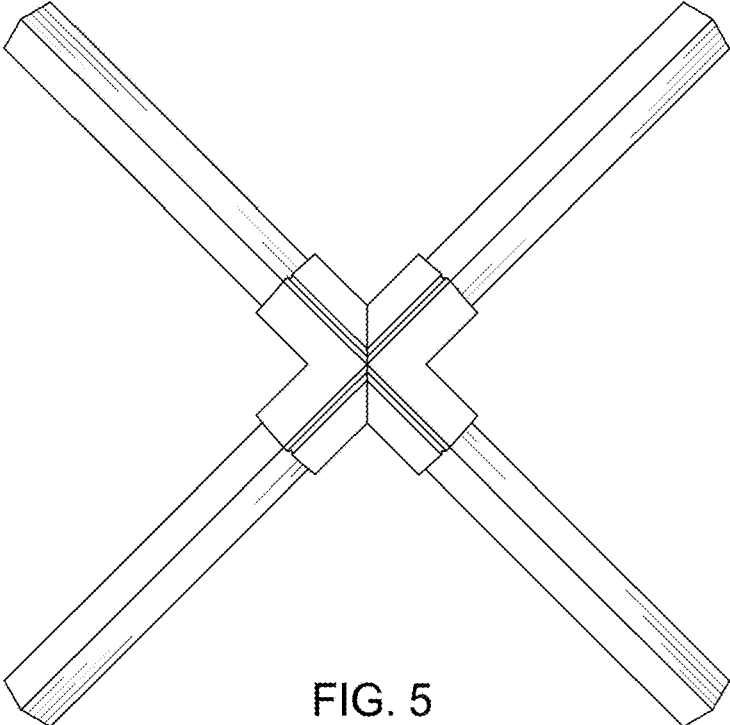


FIG. 4



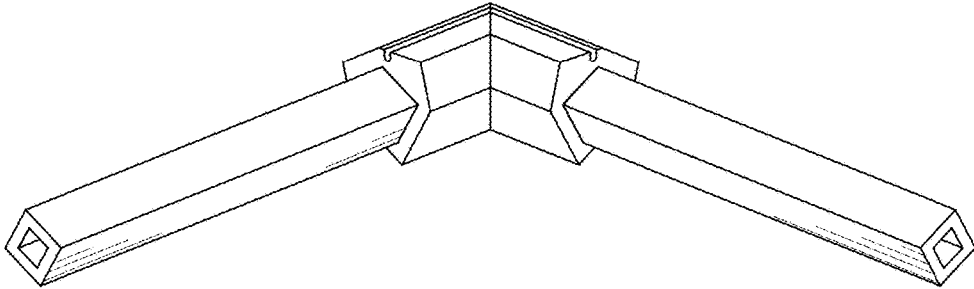


FIG. 7

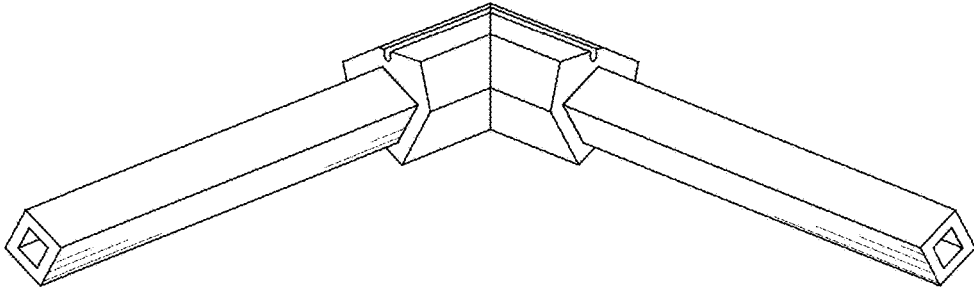


FIG. 8