



US00D523332S

(12) **United States Design Patent**  
**McEldowney et al.**

(10) **Patent No.:** **US D523,332 S**

(45) **Date of Patent:** **\*\* Jun. 20, 2006**

(54) **TAB**

(75) Inventors: **Carl McEldowney**, Ansonia, OH (US);  
**Craig McEldowney**, Russia, OH (US)

(73) Assignee: **Stolle Machinery Company, LLC**,  
Centennial, CO (US)

(\*\*) Term: **14 Years**

(21) Appl. No.: **29/236,579**

(22) Filed: **Aug. 18, 2005**

(51) **LOC (8) Cl.** ..... **09-07**

(52) **U.S. Cl.** ..... **D9/438**

(58) **Field of Classification Search** ..... D9/607,  
D9/601, 518, 499, 454, 449, 447, 438; 220/273,  
220/272, 271, 270, 269, 265, 260, 254.7,  
220/254.3; 215/304

See application file for complete search history.

(56) **References Cited**

U.S. PATENT DOCUMENTS

|              |        |                 |        |
|--------------|--------|-----------------|--------|
| 3,499,573 A  | 3/1970 | Adams           |        |
| 4,205,760 A  | 6/1980 | Hasegawa        |        |
| 4,276,993 A  | 7/1981 | Hasegawa        |        |
| D289,017 S * | 3/1987 | Spangler et al. | D9/438 |
| D296,990 S * | 8/1988 | Juty            | D9/438 |
| D332,402 S * | 1/1993 | Harwood et al.  | D9/438 |
| D390,463 S * | 2/1998 | Harrold et al.  | D9/438 |

|                 |        |                 |        |
|-----------------|--------|-----------------|--------|
| D419,873 S *    | 2/2000 | Piccione        | D9/438 |
| 6,026,971 A     | 2/2000 | Lundgren        |        |
| 6,575,325 B1    | 6/2003 | Dickie et al.   |        |
| 2003/0132230 A1 | 7/2003 | Gitelman et al. |        |

FOREIGN PATENT DOCUMENTS

|    |                |        |
|----|----------------|--------|
| EP | 0 945 355 A2   | 9/1999 |
| JP | 2000-128167    | 5/2000 |
| JP | 2003-128062    | 5/2003 |
| WO | WO 01/28875 A1 | 4/2004 |

\* cited by examiner

*Primary Examiner*—Robert M. Spear

*Assistant Examiner*—Susan Bennett Hattan

(74) *Attorney, Agent, or Firm*—David P. Maivald; Eric A. Lerner; Eckert Seamans Cherin & Mellott, LLC

(57) **CLAIM**

The ornamental design for a tab, as shown and described.

**DESCRIPTION**

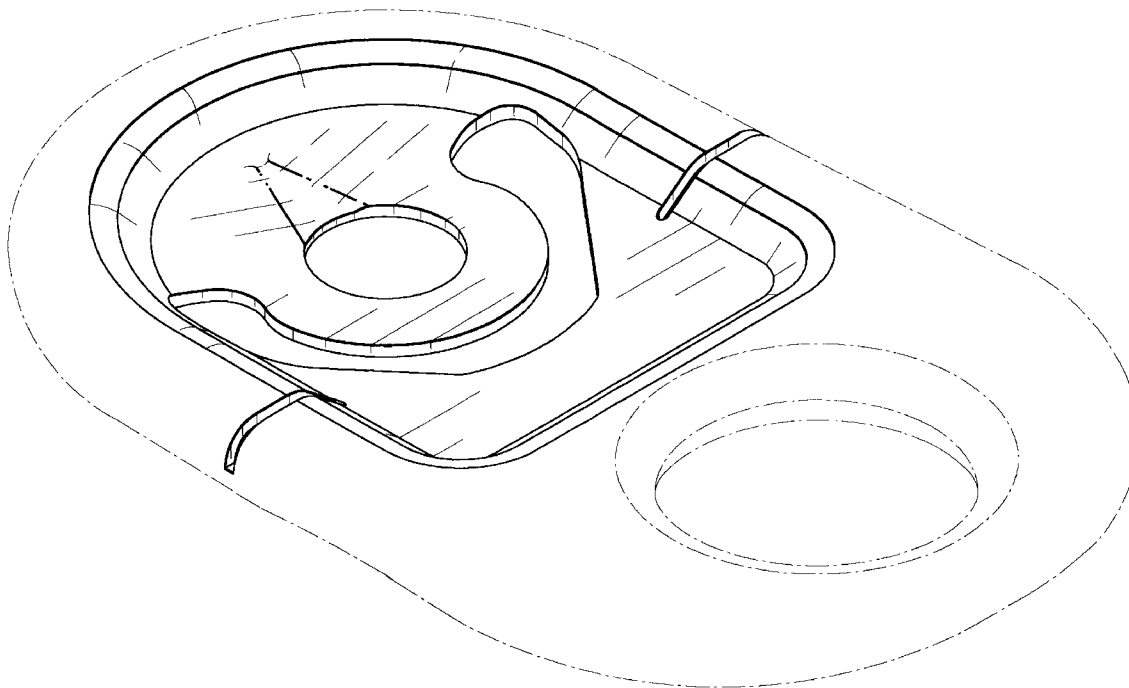
FIG. 1 is an isometric view of a tab with the perimeter of the tab and the finger hole shown in phantom;

FIG. 2 is a top plan view of the tab shown in FIG. 1;

FIG. 3 is a bottom plan view of the tab shown in FIG. 1; and, FIG. 4 is a side view of the tab shown in FIG. 1.

The broken lines showing the perimeter of the tab and the finger hole in FIGS. 1 through 4 is for illustrative purposes and forms no part of the claimed design.

**1 Claim, 4 Drawing Sheets**



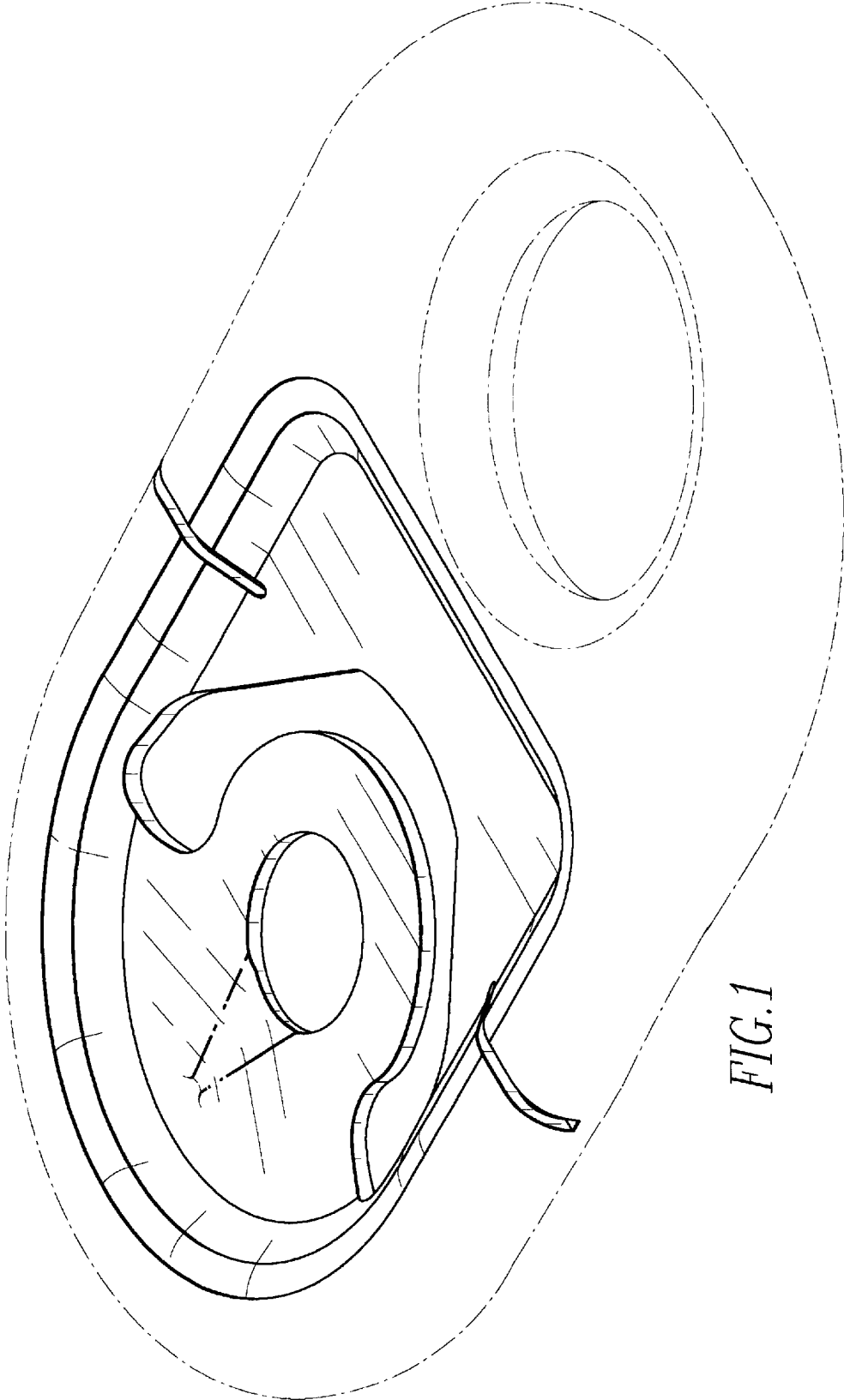


FIG. 1

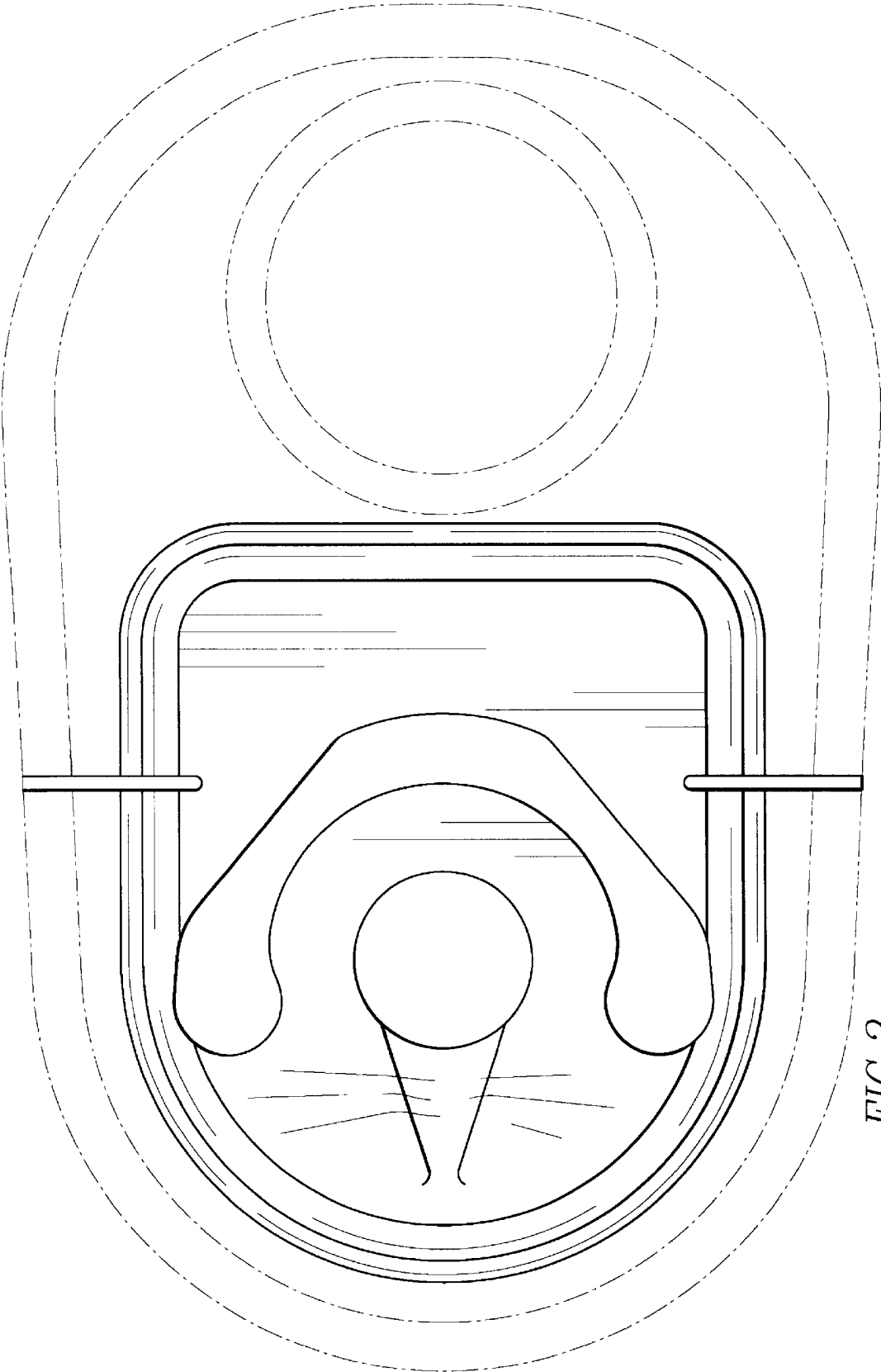


FIG. 2

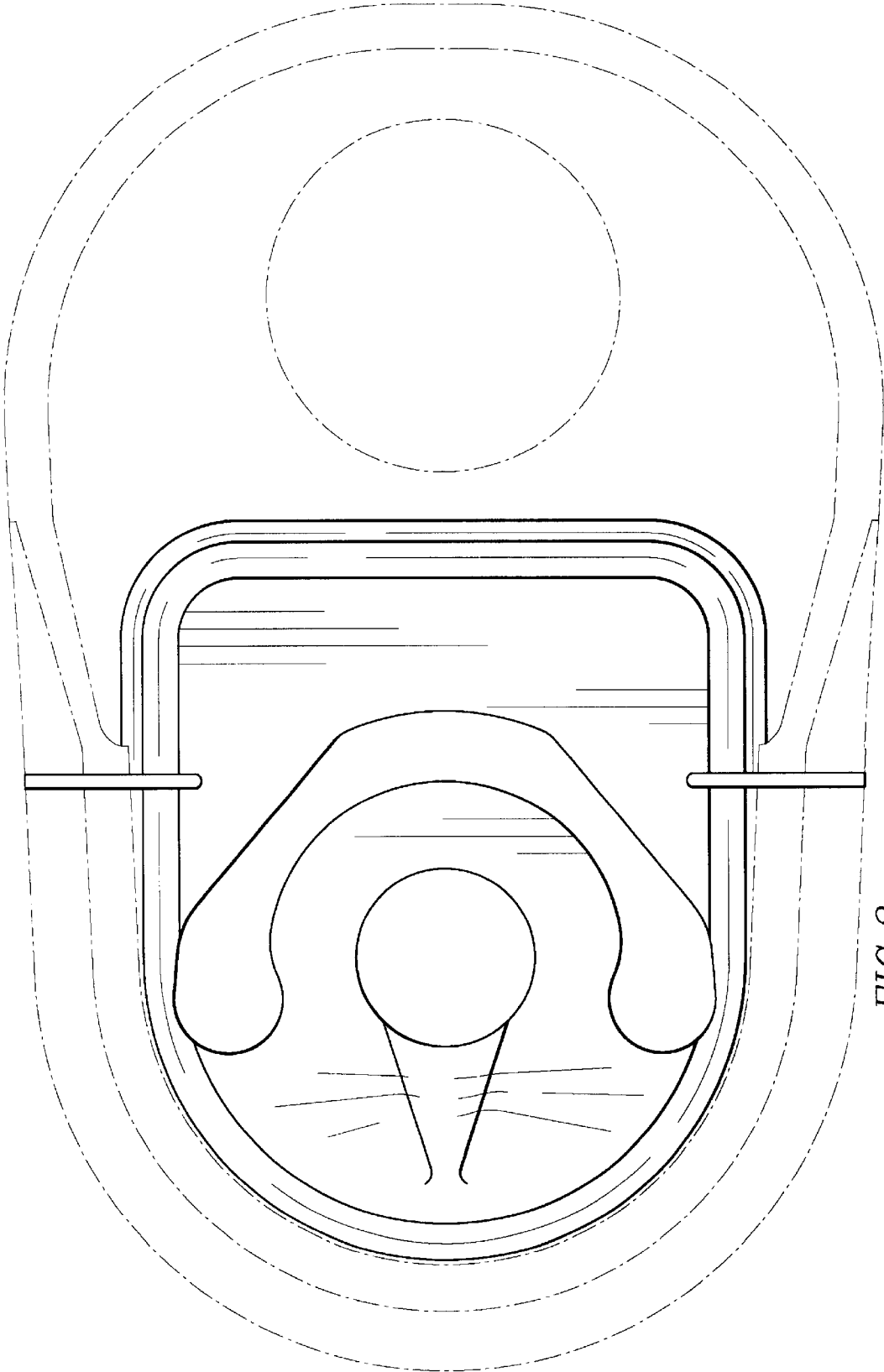


FIG. 3



FIG. 4