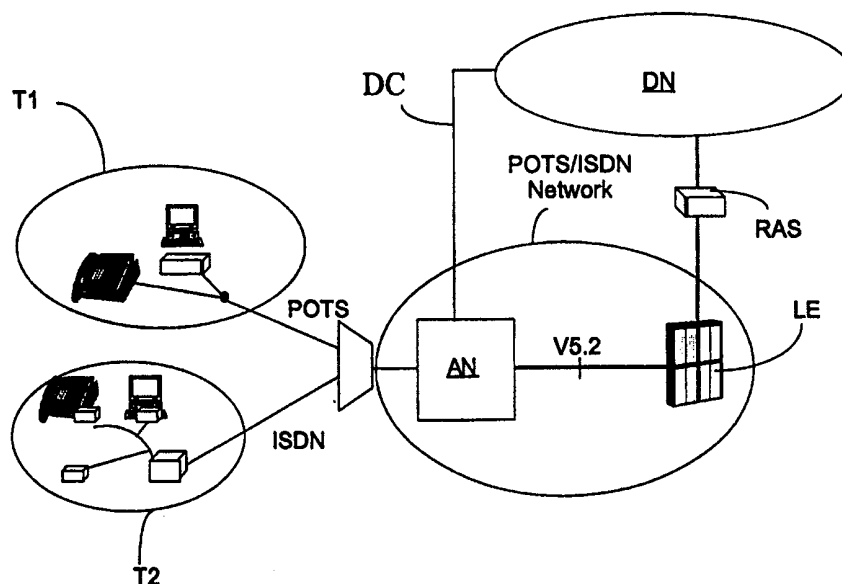




## INTERNATIONAL APPLICATION PUBLISHED UNDER THE PATENT COOPERATION TREATY (PCT)

<p>(51) International Patent Classification <sup>6</sup> : <b>H04M 11/06, H04Q 11/04, 3/00</b></p>	<b>A3</b>	<p>(11) International Publication Number: <b>WO 99/01978</b></p> <p>(43) International Publication Date: 14 January 1999 (14.01.99)</p>
<p>(21) International Application Number: PCT/FI98/00570</p> <p>(22) International Filing Date: 3 July 1998 (03.07.98)</p> <p>(30) Priority Data: 972851 3 July 1997 (03.07.97) FI</p> <p>(71) Applicant (for all designated States except US): NOKIA TELECOMMUNICATIONS OY [FI/FI]; Keilalahdentie 4, FIN-02150 Espoo (FI).</p> <p>(72) Inventors; and (75) Inventors/Applicants (for US only): TIIHONEN, Arto [FI/FI]; Valtatie 75 A 11, FIN-90500 Oulu (FI). HEIKKILÄ, Vesa [FI/FI]; Kiiminginpolku 13, FIN-90570 Oulu (FI). LIINAMAA, Olli [FI/FI]; Kannuskuja 2 B 1, FIN-90540 Oulu (FI). ASUJAMAA, Hannu [FI/FI]; Rysätie 6 A 4, FIN-90550 Oulu (FI). KUORELAHTI, Seppo [FI/FI]; Kyntäjäsentie 1, FIN-00390 Helsinki (FI).</p> <p>(74) Agent: PAPULA REIN LAHTELA OY; Fredrikinkatu 61 A, P.O. Box 981, FIN-00101 Helsinki (FI).</p>		<p>(81) Designated States: AL, AM, AT, AU, AZ, BA, BB, BG, BR, BY, CA, CH, CN, CU, CZ, DE, DK, EE, ES, FI, GB, GE, GH, GM, GW, HR, HU, ID, IL, IS, JP, KE, KG, KP, KR, KZ, LC, LK, LR, LS, LT, LU, LV, MD, MG, MK, MN, MW, MX, NO, NZ, PL, PT, RO, RU, SD, SE, SG, SI, SK, SL, TJ, TM, TR, TT, UA, UG, US, UZ, VN, YU, ZW, ARIPO patent (GH, GM, KE, LS, MW, SD, SZ, UG, ZW), Eurasian patent (AM, AZ, BY, KG, KZ, MD, RU, TJ, TM), European patent (AT, BE, CH, CY, DE, DK, ES, FI, FR, GB, GR, IE, IT, LU, MC, NL, PT, SE), OAPI patent (BF, BJ, CF, CG, CI, CM, GA, GN, ML, MR, NE, SN, TD, TG).</p> <p><b>Published</b> <i>With international search report.</i> <i>In English translation (filed in Finnish).</i></p> <p>(88) Date of publication of the international search report: 25 March 1999 (25.03.99)</p>

(54) Title: METHOD FOR TRANSMITTING DATA TRAFFIC IN A TELECOMMUNICATIONS SYSTEM



## (57) Abstract

In a telecommunication system comprising a telephone exchange (LE), an access node (AN) connected to the telephone exchange via a standard V5 interface and a data network (DN), a procedure for setting up a direct data connection between the access node and the data network from a terminal device. According to the invention, a data network subscriber is created in the access node (AN), and when the data network subscriber starts call setup, this is not signalled to the local exchange (LE) according to the normal V5 practice. The data network subscriber's call setup request is handled locally in the access node, where also a dial tone is generated for the data network subscriber. A data connection between the data network subscriber and the data network is set up directly from the access node on the basis of the dialling given by the data network subscriber.

**FOR THE PURPOSES OF INFORMATION ONLY**

Codes used to identify States party to the PCT on the front pages of pamphlets publishing international applications under the PCT.

AL	Albania	ES	Spain	LS	Lesotho	SI	Slovenia
AM	Armenia	FI	Finland	LT	Lithuania	SK	Slovakia
AT	Austria	FR	France	LU	Luxembourg	SN	Senegal
AU	Australia	GA	Gabon	LV	Latvia	SZ	Swaziland
AZ	Azerbaijan	GB	United Kingdom	MC	Monaco	TD	Chad
BA	Bosnia and Herzegovina	GE	Georgia	MD	Republic of Moldova	TG	Togo
BB	Barbados	GH	Ghana	MG	Madagascar	TJ	Tajikistan
BE	Belgium	GN	Guinea	MK	The former Yugoslav Republic of Macedonia	TM	Turkmenistan
BF	Burkina Faso	GR	Greece	ML	Mali	TR	Turkey
BG	Bulgaria	HU	Hungary	MN	Mongolia	TT	Trinidad and Tobago
BJ	Benin	IE	Ireland	MR	Mauritania	UA	Ukraine
BR	Brazil	IL	Israel	MW	Malawi	UG	Uganda
BY	Belarus	IS	Iceland	MX	Mexico	US	United States of America
CA	Canada	IT	Italy	NE	Niger	UZ	Uzbekistan
CF	Central African Republic	JP	Japan	NL	Netherlands	VN	Viet Nam
CG	Congo	KE	Kenya	NO	Norway	YU	Yugoslavia
CH	Switzerland	KG	Kyrgyzstan	NZ	New Zealand	ZW	Zimbabwe
CI	Côte d'Ivoire	KP	Democratic People's Republic of Korea	PL	Poland		
CM	Cameroon	KR	Republic of Korea	PT	Portugal		
CN	China	KZ	Kazakistan	RO	Romania		
CU	Cuba	LC	Saint Lucia	RU	Russian Federation		
CZ	Czech Republic	LI	Liechtenstein	SD	Sudan		
DE	Germany	LK	Sri Lanka	SE	Sweden		
DK	Denmark	LR	Liberia	SG	Singapore		
EE	Estonia						

# INTERNATIONAL SEARCH REPORT

International application No.

**PCT/FI 98/00570**

**A. CLASSIFICATION OF SUBJECT MATTER**

**IPC6: H04M 11/06, H04Q 11/04, H04Q 3/00**

According to International Patent Classification (IPC) or to both national classification and IPC

**B. FIELDS SEARCHED**

Minimum documentation searched (classification system followed by classification symbols)

**IPC6: H04M, H04Q**

Documentation searched other than minimum documentation to the extent that such documents are included in the fields searched

**SE,DK,FI,NO classes as above**

Electronic data base consulted during the international search (name of data base and, where practicable, search terms used)

**WPIL**

**C. DOCUMENTS CONSIDERED TO BE RELEVANT**

Category*	Citation of document, with indication, where appropriate, of the relevant passages	Relevant to claim No.
A	EP 0690635 A2 (SIEMENS AKTIENGESELLSCHAFT), 3 January 1996 (03.01.96), column 8, line 14 - line 41, figure 2  --	1-10
A	GB 2294179 A (ALEX MASHINSKY), 17 April 1996 (17.04.96), page 11 - page 12, figure 1, abstract  --	1-10
A	WO 9638018 A1 (TELEFONAKTIEBOLAGET LM ERICSSON), 28 November 1996 (28.11.96), abstract  --	1-10
A	WO 9740614 A1 (DSC COMMUNICATIONS A/S), 30 October 1997 (30.10.97), abstract  --	1-10

Further documents are listed in the continuation of Box C.

See patent family annex.

\* Special categories of cited documents:

"A" document defining the general state of the art which is not considered to be of particular relevance

"E" earlier document but published on or after the international filing date

"L" document which may throw doubts on priority claim(s) or which is cited to establish the publication date of another citation or other special reason (as specified)

"O" document referring to an oral disclosure, use, exhibition or other means

"P" document published prior to the international filing date but later than the priority date claimed

"T" later document published after the international filing date or priority date and not in conflict with the application but cited to understand the principle or theory underlying the invention

"X" document of particular relevance: the claimed invention cannot be considered novel or cannot be considered to involve an inventive step when the document is taken alone

"Y" document of particular relevance: the claimed invention cannot be considered to involve an inventive step when the document is combined with one or more other such documents, such combination being obvious to a person skilled in the art

"&" document member of the same patent family

Date of the actual completion of the international search

**14 January 1999**

Date of mailing of the international search report

**18 -01- 1999**

Name and mailing address of the ISA:

Swedish Patent Office  
Box 5055, S-102 42 STOCKHOLM  
Facsimile No. +46 8 666 02 86

Authorized officer

**Patrik Rydman**  
Telephone No. +46 8 782 25 00

**INTERNATIONAL SEARCH REPORT**

Information on patent family members

01/12/98

International application No.

PCT/FI 98/00570

Patent document cited in search report	Publication date	Patent family member(s)	Publication date
EP 0690635 A2	03/01/96	DE 4422805 C FI 953220 A	30/11/95 30/12/95
GB 2294179 A	17/04/96	GB 9520323 D IL 115580 D US 5710809 A	00/00/00 00/00/00 20/01/98
WO 9638018 A1	28/11/96	AU 5916696 A CA 2221183 A CN 1185268 A EP 0829181 A FI 952557 D NO 975343 A FI 961690 A	11/12/96 28/11/96 17/06/98 18/03/98 00/00/00 21/01/98 25/11/96
WO 9740614 A1	30/10/97	AU 2382297 A DK 47096 A	12/11/97 20/10/97