



(12) **United States Design Patent**
Schuyler et al.

(10) **Patent No.:** **US D1,002,064 S**
(45) **Date of Patent:** **** Oct. 17, 2023**

(54) **LIGHT FIXTURE**
(71) Applicant: **W SCHONBEK LLC**, Plattsburgh, NY (US)
(72) Inventors: **Andrew Schuyler**, Colchester, VT (US); **Chad Recore**, Peru, NY (US); **Gaetano Ling**, Palo Alto, CA (US); **Elger Oberwelz**, San Francisco, CA (US); **Courtney Song**, Saratoga, CA (US); **Tobias Toft**, San Francisco, CA (US); **Aaron Wansch**, San Francisco, CA (US); **Brian Wong**, San Francisco, CA (US)

(73) Assignee: **W SCHONBEK LLC**, Plattsburgh, NY (US)
(**) Term: **15 Years**
(21) Appl. No.: **29/692,880**
(22) Filed: **May 29, 2019**

Related U.S. Application Data

(63) Continuation of application No. 35/001,501, filed on Feb. 23, 2018 (U.S. filing date under 35 U.S.C. 384), and having an international filing date of Feb. 23, 2018, now Pat. No. Des. 878,662.
(51) **LOC (14) Cl.** **26-05**
(52) **U.S. Cl.**
USPC **D26/88**
(58) **Field of Classification Search**
USPC D26/72, 74, 76, 78-83, 85, 86, 88, 90, D26/93, 111, 113, 118, 119, 120, 121, D26/122, 138, 139, 140, 141, 142, 152
CPC F21S 2/00; F21S 4/00; F21S 4/003; F21S 4/005; F21S 4/006; F21S 4/007; F21S 4/008; F21S 6/00; F21S 8/00; F21S 8/024; F21S 8/026; F21S 8/031; F21S 8/033; F21S 8/035-037; F21S 8/04; F21S 8/043; F21S 8/063
See application file for complete search history.

(56) **References Cited**
U.S. PATENT DOCUMENTS
5,144,541 A 9/1992 Schonbek
D346,459 S 4/1994 King
D465,872 S * 11/2002 Cacaci D26/90
(Continued)

FOREIGN PATENT DOCUMENTS
WO 2014170292 A1 10/2014
WO 2019168525 9/2019

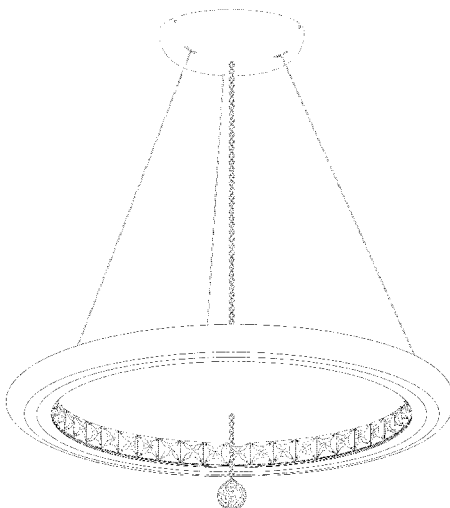
OTHER PUBLICATIONS
Schuyler et al., U.S. Appl. No. 15/907,957, filed Feb. 28, 2018, entitled "Integrated Programmable Effect and Functional Lighting Module".
(Continued)

Primary Examiner — Natasha Vujcic
(74) *Attorney, Agent, or Firm* — Heslin Rothenberg Farley & Mesiti P.C.

(57) **CLAIM**
The ornamental design for a light fixture, as shown and described.

DESCRIPTION
FIG. 1 is a perspective view of a light fixture according to the new design;
FIG. 2 is a front elevational view thereof;
FIG. 3 is a rear elevational view thereof;
FIG. 4 is a top view thereof;
FIG. 5 is a bottom view thereof;
FIG. 6 is a left side elevational view thereof; and,
FIG. 7 is a right side elevational view thereof.
The broken lines in the drawings illustrate portions of the light fixture which form no part of the claimed design.

1 Claim, 7 Drawing Sheets



(56)

References Cited

U.S. PATENT DOCUMENTS

D596,336 S 7/2009 Sabernig
 D617,035 S * 6/2010 Sabernig D26/89
 D663,470 S 7/2012 Ruiz
 D673,703 S 1/2013 Davies
 8,342,718 B2 1/2013 Kikoski
 D710,631 S 8/2014 Pirayesh et al.
 D759,873 S * 6/2016 Saarinen D26/74
 D768,905 S * 10/2016 Sonneman D26/88
 D768,906 S * 10/2016 Sonneman D26/88
 D769,985 S * 10/2016 Roberts D21/453
 D780,980 S 3/2017 Starck
 D781,487 S 3/2017 Starck
 D791,401 S * 7/2017 Sonneman D26/88
 D797,982 S 9/2017 Sonneman
 D803,459 S 11/2017 Wright
 D806,928 S 1/2018 Amato et al.
 D807,562 S 1/2018 Amato et al.
 D809,180 S 1/2018 Oh et al.
 D824,566 S * 7/2018 Santoro D26/74
 D825,820 S * 8/2018 Sonneman D26/88
 D829,361 S 9/2018 Deng
 D830,611 S 10/2018 Boissevain et al.
 D830,612 S 10/2018 Boissevain et al.
 D834,002 S 11/2018 Bergfeldt et al.
 D835,827 S 12/2018 Amato et al.
 D837,443 S 1/2019 Slaatto
 10,555,390 B2 2/2020 Schuyler et al.
 D878,662 S * 3/2020 Schuyler D26/88
 D889,726 S * 7/2020 Gismondi D26/88
 D890,978 S * 7/2020 Birchler D26/88
 D898,979 S * 10/2020 Silver D26/88
 D910,825 S * 2/2021 Jung D23/364
 D918,459 S * 5/2021 Yuan D26/88

D920,557 S * 5/2021 Lange D26/75
 D923,855 S * 6/2021 Dolan D26/86
 2012/0119657 A1 5/2012 Snijder et al.
 2014/0001964 A1 1/2014 Ono
 2015/0300617 A1 10/2015 Katona et al.
 2016/0286630 A1 9/2016 Witzgall
 2017/0086280 A1 3/2017 Boomgaarden et al.
 2017/0299146 A1 10/2017 Meerbeek et al.
 2019/0000242 A1 1/2019 Didur
 2019/0268987 A1 8/2019 Schuyler et al.

OTHER PUBLICATIONS

Schuyler et al., International Patent Application No. PCT/US2018/020244, filed Feb. 28, 2018, entitled “Integrated Programmable Effect and Functional Lighting Module”.
 International Search Report and Written Opinion for International Application Serial No. PCT/US2018/020244 dated Nov. 27, 2018.
 Infinity Mirrors, available from Light Energy Studio, Chatsworth California, printed from the Internet on May 14, 2019, (Wayback Verification Crawl presence date Feb. 6, 2015, <https://web.archive.org/web/20150206013203/http://lightenergystudio.com/infinitymain.html>), 12 pages, at least as early as Feb. 6, 2015.
 Swarovski Circle Pendant Light, 5 pages, at least as early as Aug. 19, 2013.
 Schuyler et al., Design U.S. Appl. No. 35/001,501, filed Feb. 23, 2019, entitled “Light Fixture” (corresponding to international design patent application under the Hague Agreement, application No. DM/100 884, filed Feb. 23, 2018), and Response to Restriction Requirement, filed May 14, 2019.
 International Preliminary Report on Patentability and Written Opinion dated Sep. 1, 2020, of International Application Serial No. PCT/US2018/020244, 8 pages, dated Sep. 1, 2020.

* cited by examiner

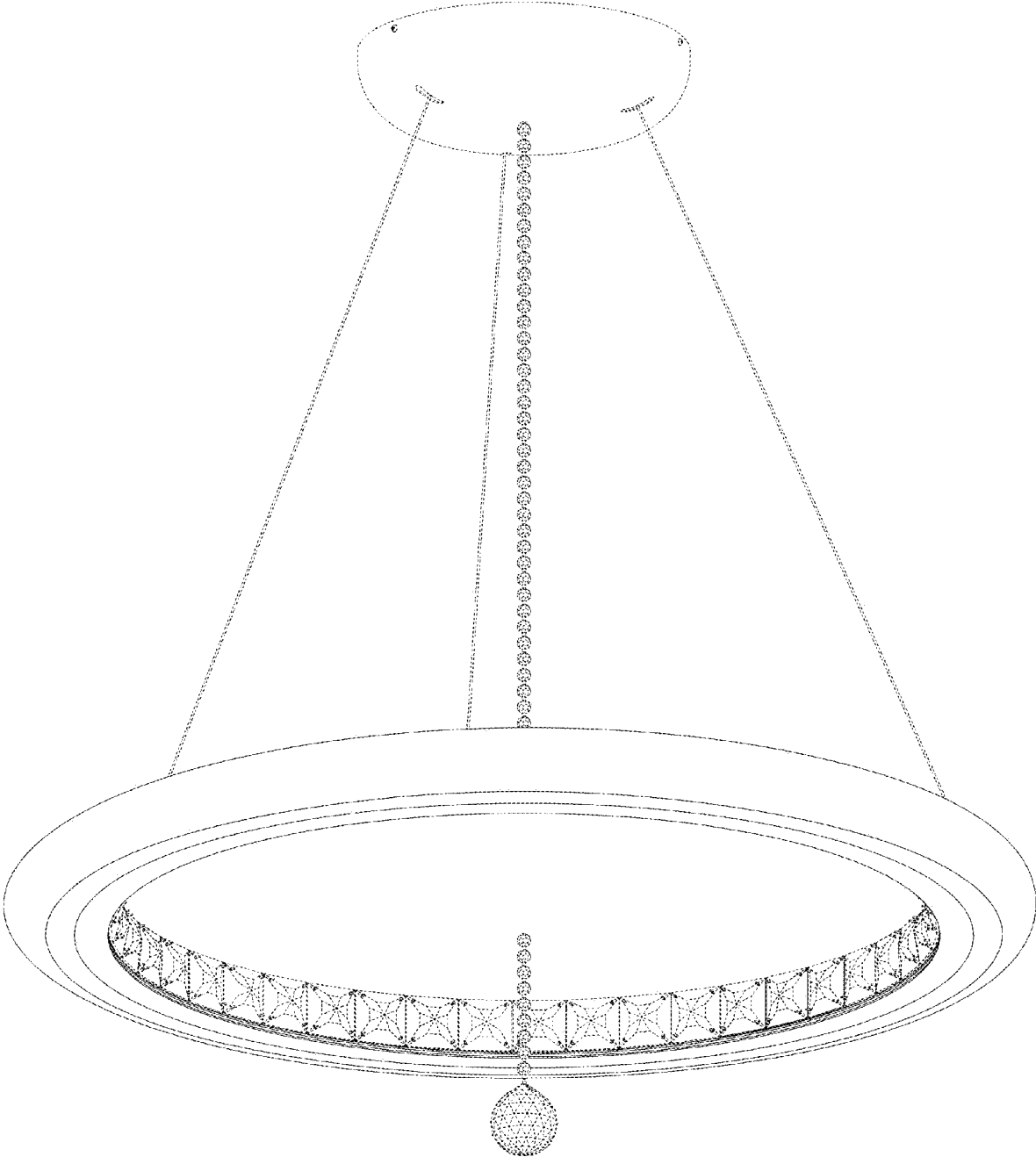


FIG. 1

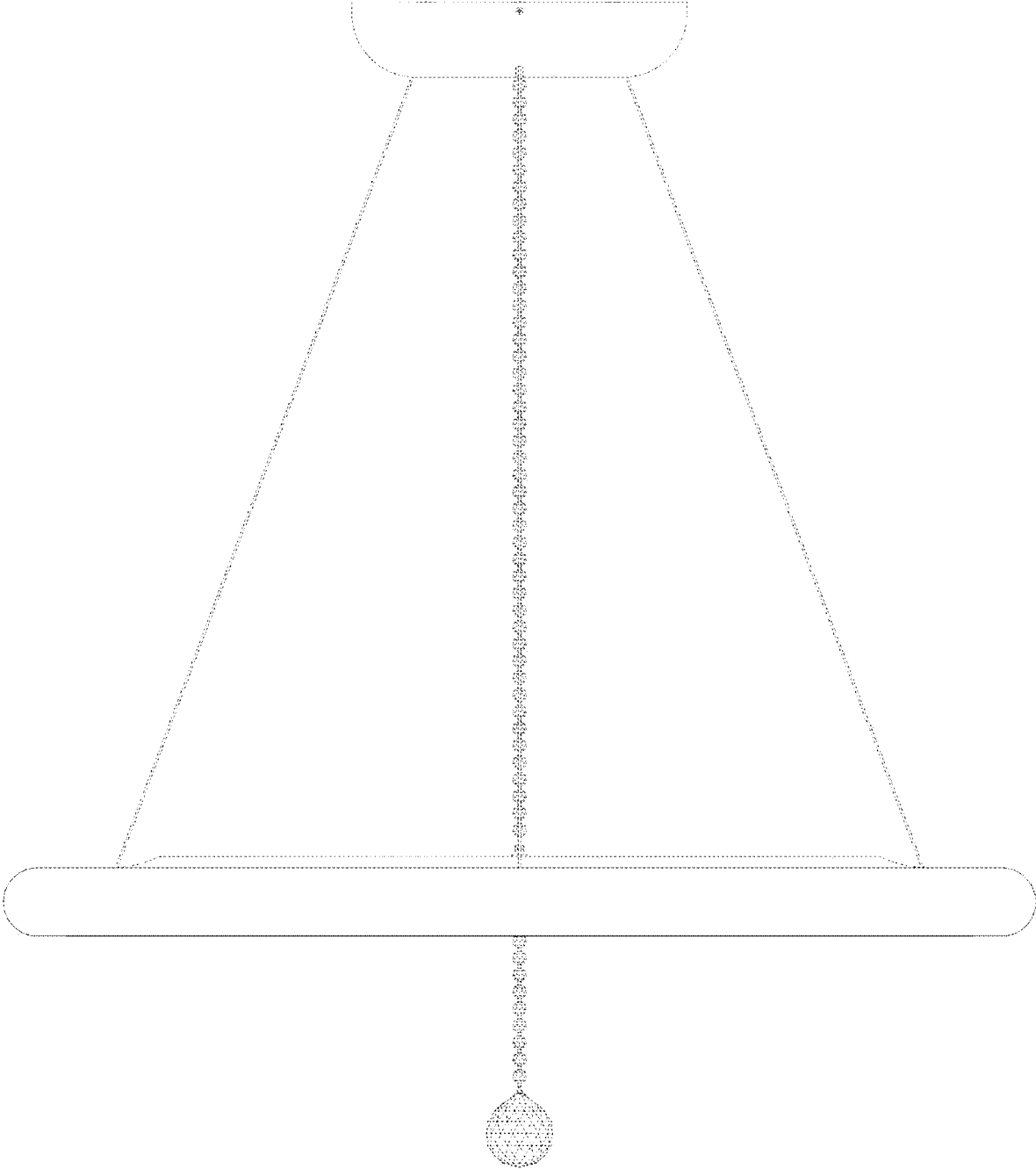


FIG. 2

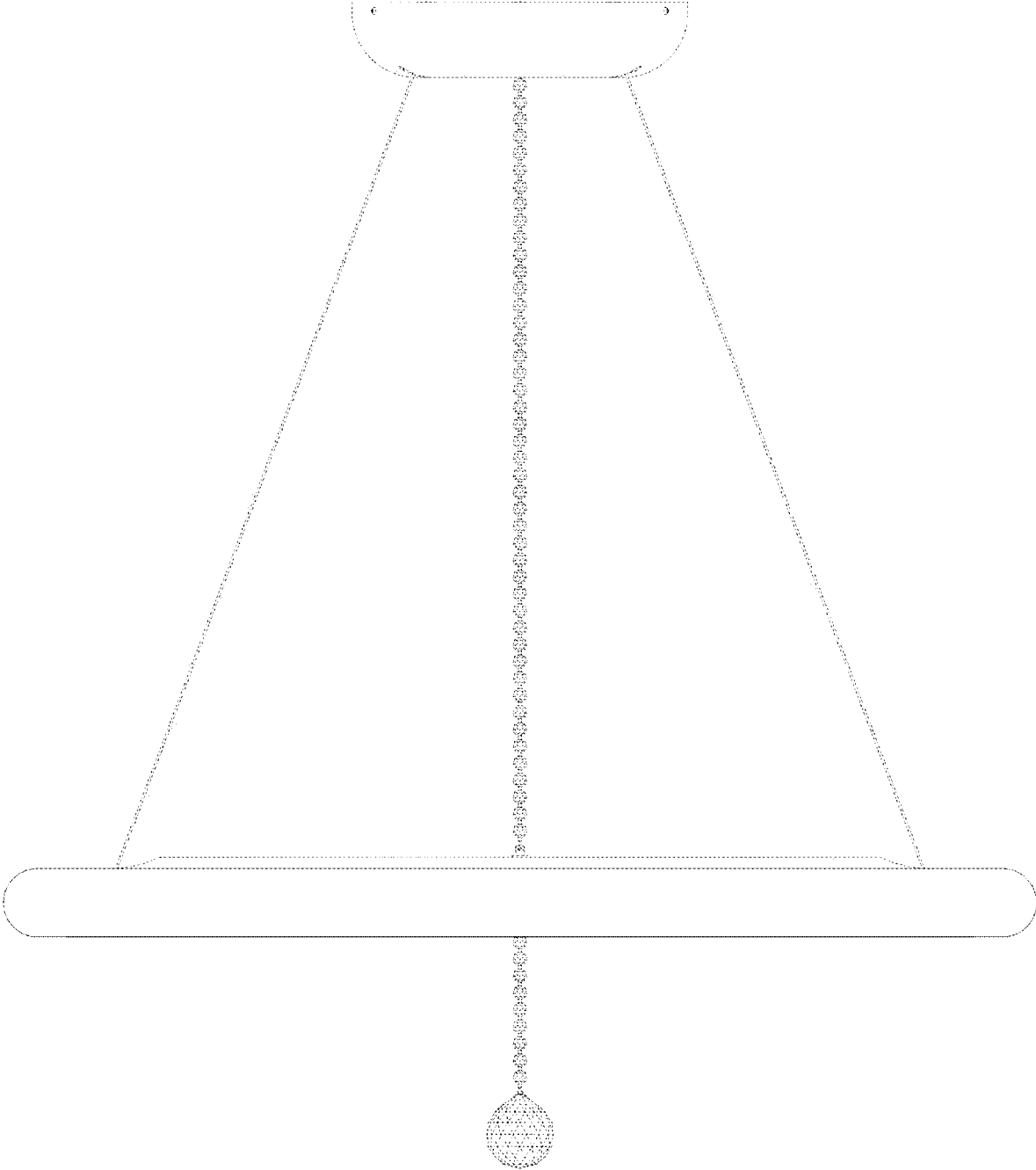


FIG. 3

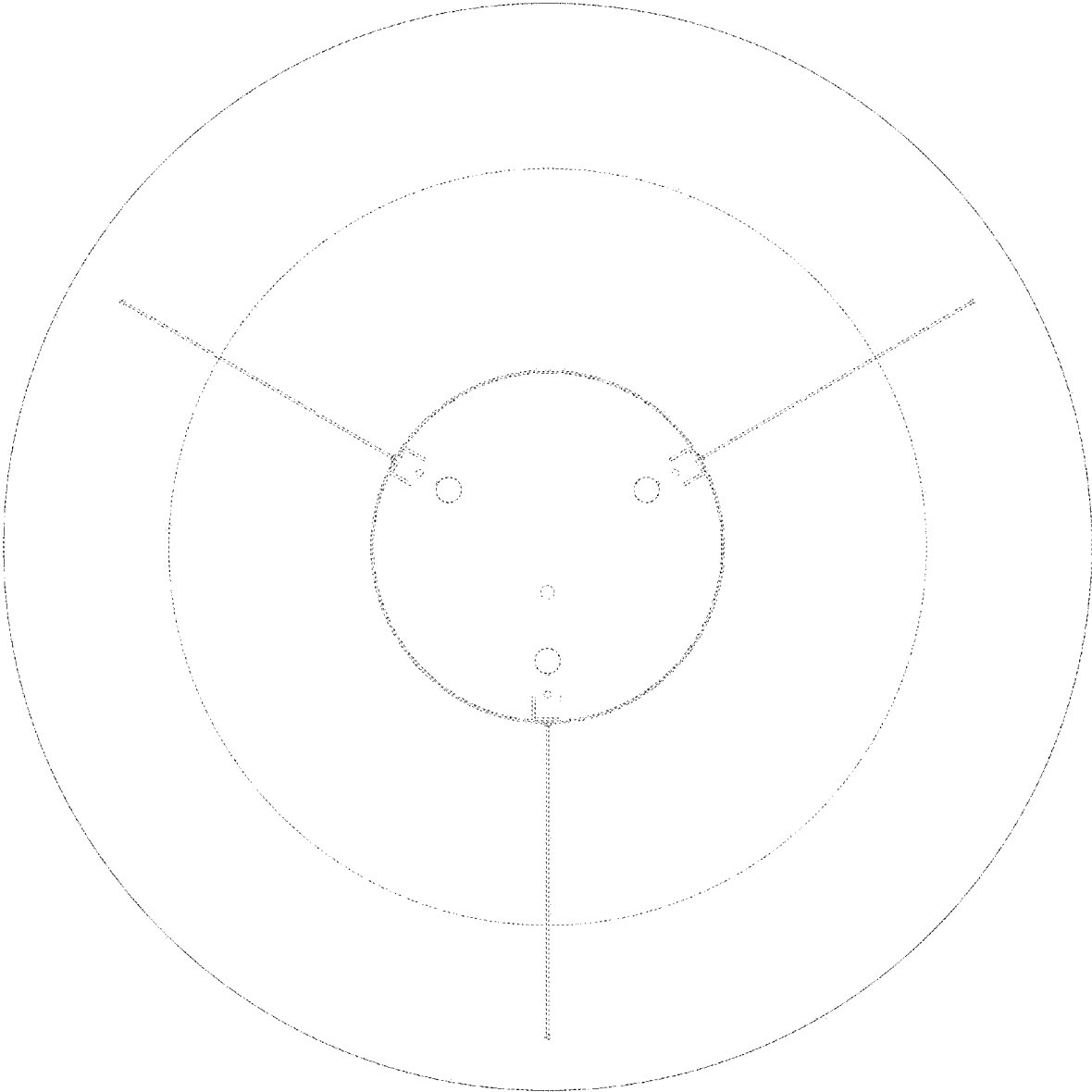


FIG. 4

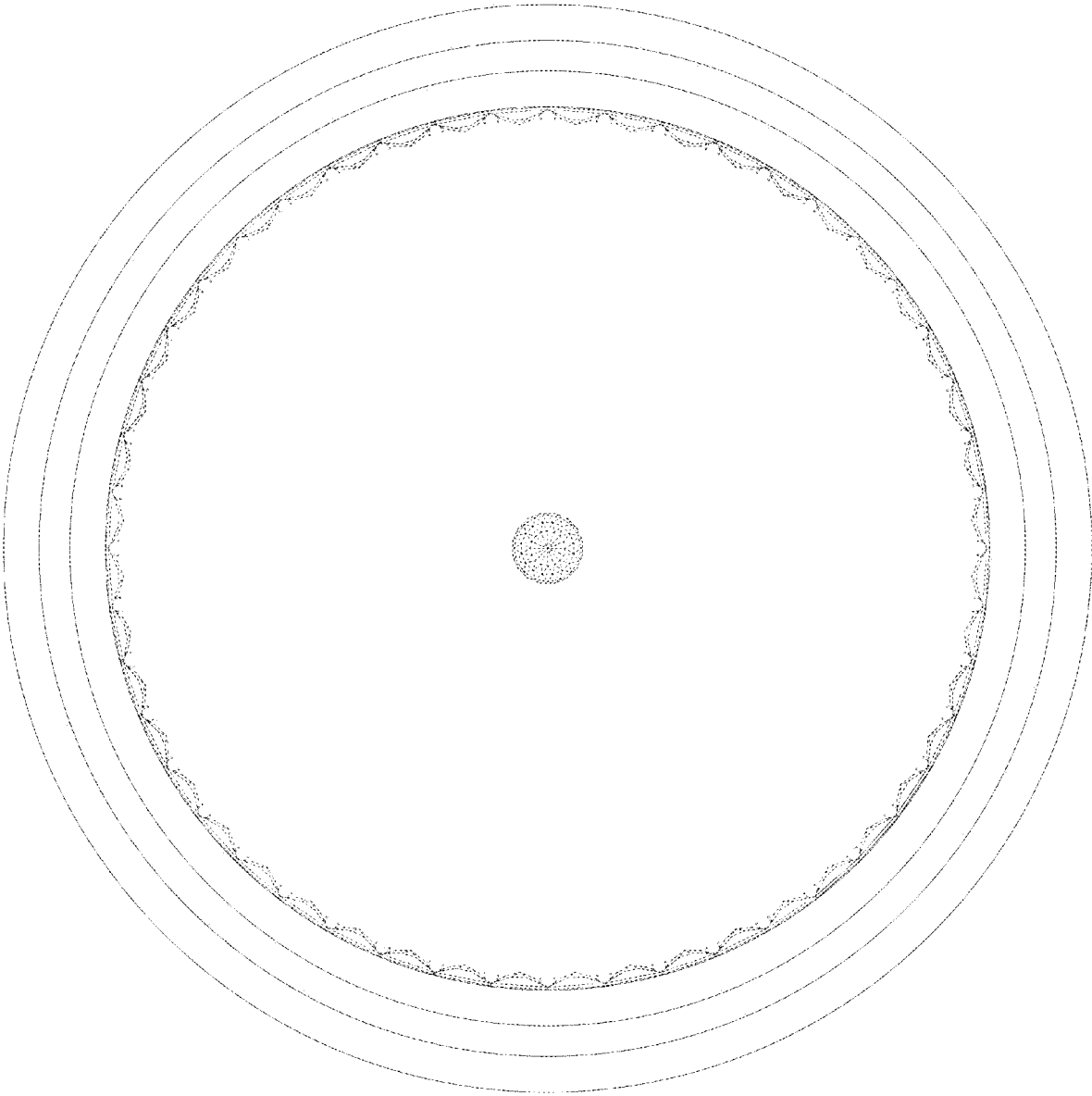


FIG. 5

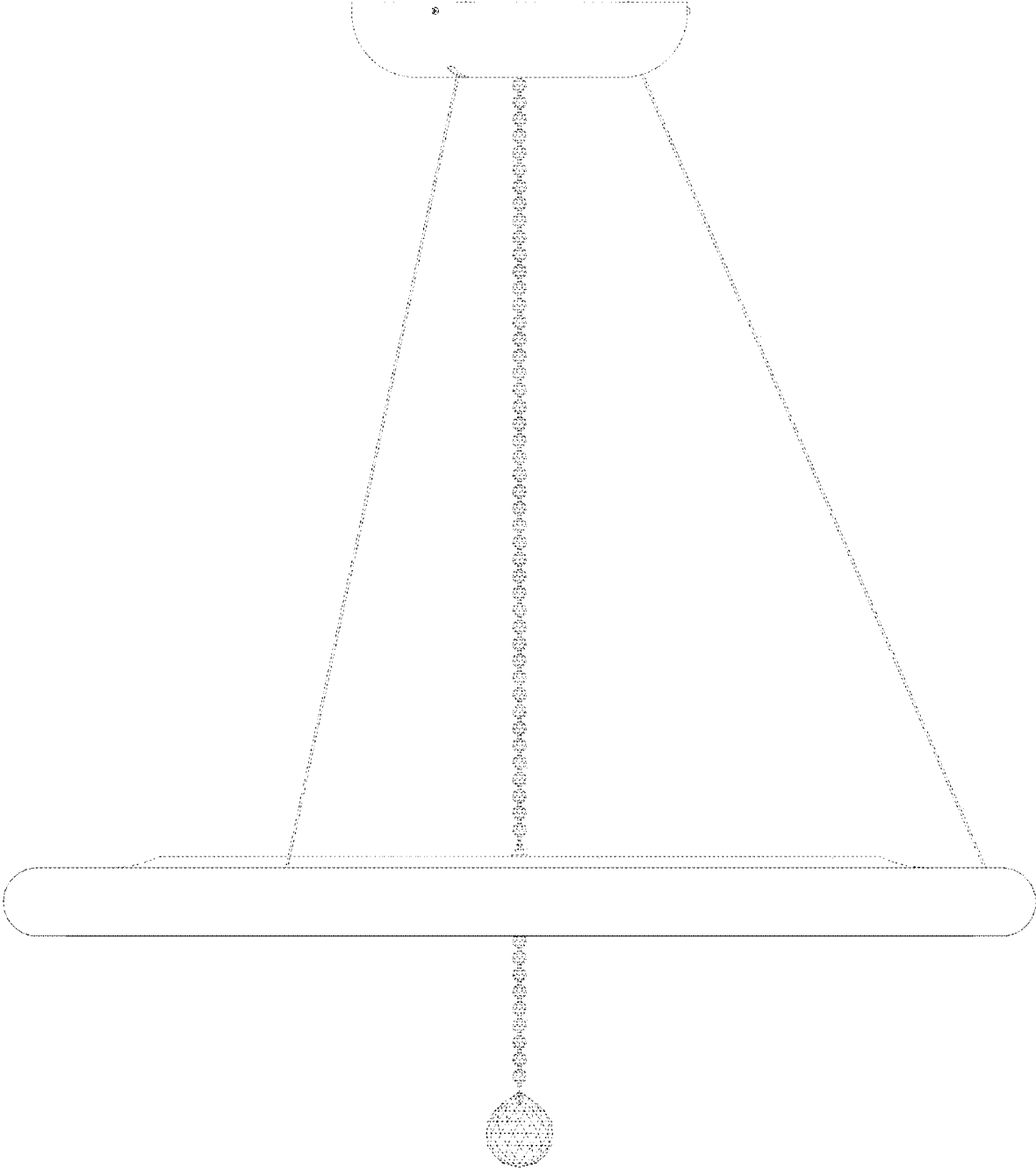


FIG. 6

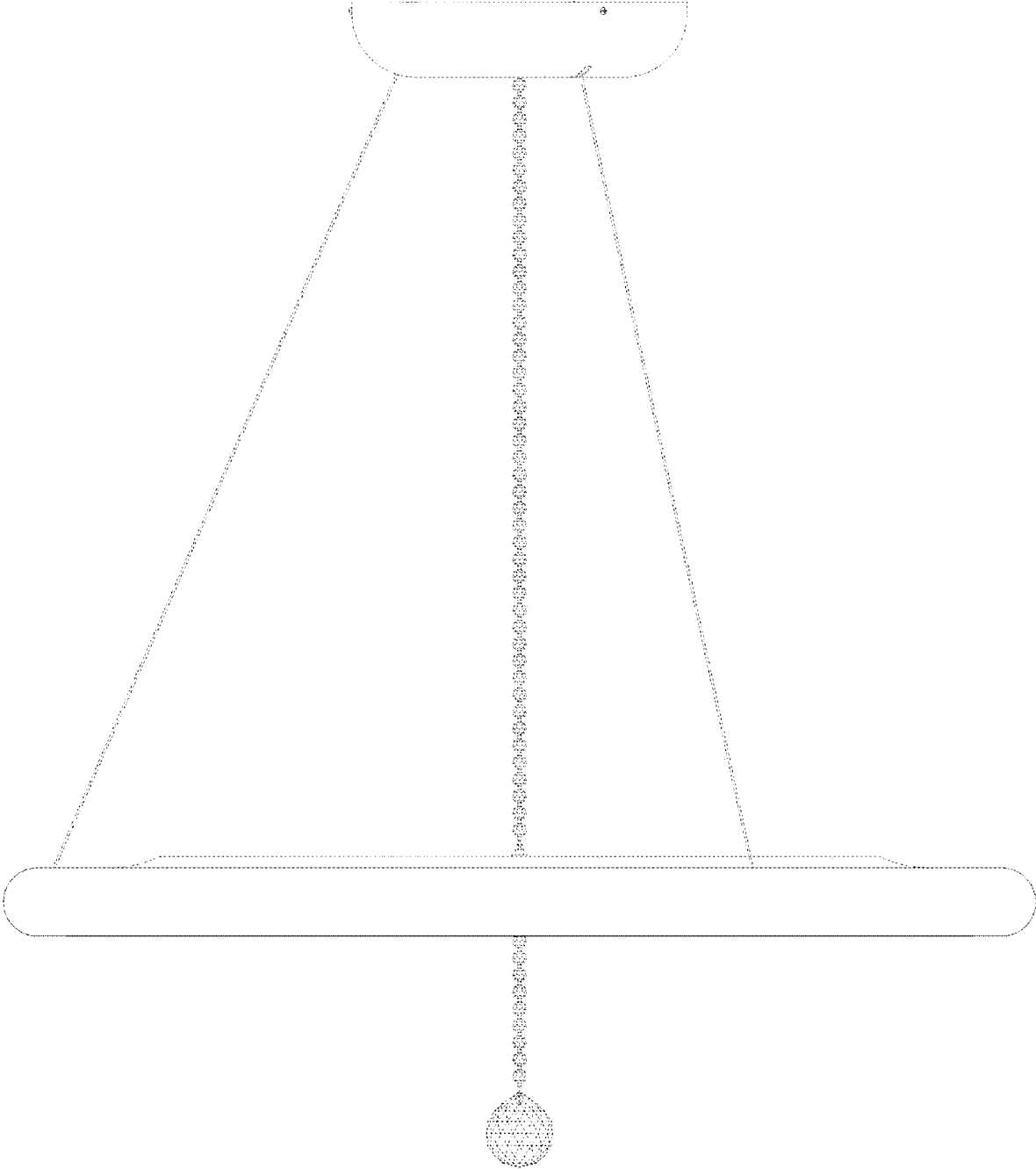


FIG. 7