



US0D1035274S

(12) **United States Design Patent** (10) **Patent No.:** **US D1,035,274 S**
Samsel et al. (45) **Date of Patent:** **** Jul. 16, 2024**

(54) **STORAGE CHEST** CPC B25H 3/00; B25H 3/003; B25H 3/006;
B25H 3/02; B25H 3/021; B25H 3/022;
(71) Applicant: **APEX BRANDS, INC.**, Apex, NC B25H 3/023; B65D 67/00; B65D 67/02;
(US) B65D 69/00; B65D 81/00; B65D 81/02;
(72) Inventors: **Richard A. Samsel**, Haines City, FL B65D 81/022; B65D 88/00; B65D
(US); **Jonathan Eziquiel-Shriro**, St. 88/005; B65D 88/02; B65D 88/022;
Louis, MO (US); **Matthew Poppe**, B65G 1/02
Holly Springs, NC (US); **Jason Mars**,
Jonesboro, AR (US); **Michael Taber**,
Jonesboro, AR (US)
See application file for complete search history.

(56) **References Cited**

U.S. PATENT DOCUMENTS

(73) Assignee: **APEX BRANDS, INC.**, Apex, NC
(US)
(**) Term: **15 Years**
(21) Appl. No.: **29/776,307**
(22) Filed: **Mar. 29, 2021**

D38,039 S * 5/1906 Mitchell D3/322
D67,835 S 1/1925 Hamilton
D70,897 S 8/1926 Purchas
D75,782 S * 7/1928 Eberhart D3/272
D100,473 S 11/1935 Hershfield
D117,837 S 11/1939 Tuttle
D192,848 S 5/1962 Hageal et al.
D200,143 S 1/1965 Ronvik
3,459,327 A 8/1969 Harris
4,288,134 A 9/1981 Knaack et al.
D264,641 S 6/1982 Evans et al.
4,368,935 A 1/1983 White
4,447,099 A 5/1984 French et al.
D294,308 S 2/1988 Charton
D294,539 S 3/1988 Coggins
D388,251 S 12/1997 Smith
D396,004 S 7/1998 Srinual
5,794,385 A 8/1998 Donovan
D408,145 S 4/1999 Au
D410,350 S 6/1999 Stangl
D414,335 S 9/1999 Cheyn
D421,181 S 2/2000 Tisbo et al.
D448,565 S * 10/2001 Sanderson D3/273
D456,134 S 4/2002 Buck
D459,881 S 7/2002 Kim
D467,730 S 12/2002 Ekerot et al.
D502,638 S * 3/2005 Winig D8/356
D504,771 S 5/2005 Boyd
D506,867 S 7/2005 Galan
D529,287 S 10/2006 Perella
D540,737 S 4/2007 Bogard
7,418,846 B2 9/2008 James et al.
D579,658 S 11/2008 Weng et al.
D580,171 S 11/2008 Weng
D580,653 S 11/2008 Robaina
D611,252 S 3/2010 Fiscus
D623,585 S 9/2010 Giddens
D624,315 S 9/2010 Amatrudo

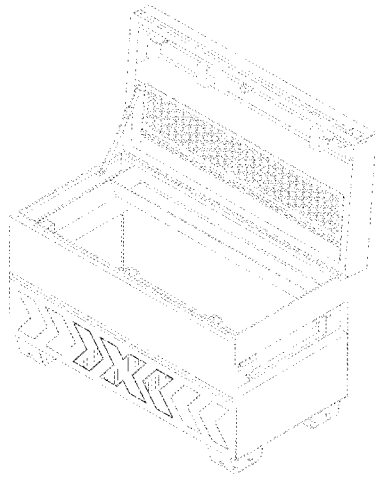
Related U.S. Application Data

(60) Continuation of application No. 29/772,867, filed on Mar. 4, 2021, which is a division of application No. 29/661,155, filed on Aug. 24, 2018, now Pat. No. Des. 914,365, application No. 29/776,307 is a continuation of application No. 29/661,155, filed on Aug. 24, 2018, now Pat. No. Des. 914,365.

(51) **LOC (14) Cl.** **03-01**

(52) **U.S. Cl.**
USPC **D3/322; D3/905**

(58) **Field of Classification Search**
USPC D3/201, 203.1, 203.2, 203.3, 203.5,
D3/203.6, 203.7, 203.8, 205, 215, 220,
D3/221, 224-230, 232, 233, 239,
D3/242-246, 254-258, 260, 267, 268,
D3/269, 272, 273, 276, 279-286,
D3/289-303, 317-319, 321, 322,
D3/900-905; D6/663, 664, 664.1, 667,
D6/671.3, 671.4, 552; D7/601, 602, 703,
D7/629; D8/71; D9/702-708, 737, 756,
D9/414; D13/133, 152; D14/348, 349,
D14/353, 354; D19/104; D22/136;
D27/172, 186



D626,062 S	10/2010	Giddens	
D636,173 S *	4/2011	Wood	D3/203.3
D638,778 S	5/2011	Giddens	
8,096,152 B2	1/2012	Wagh et al.	
D664,767 S	8/2012	Shewmaker	
D665,194 S	8/2012	Lenney	
D665,578 S	8/2012	Bousquet	
D668,048 S	10/2012	Vilkomirski	
D672,553 S	12/2012	Devilier	
8,567,459 B2	10/2013	Kitchen	
D727,622 S	4/2015	Hile	
D728,279 S	5/2015	Punzell	
D737,573 S *	9/2015	Yanuszka	D3/274
D740,562 S	10/2015	Bonilla	
D749,845 S	2/2016	Tonelli	
D766,020 S	9/2016	Thatcher	
D780,439 S	3/2017	Moser	
D795,575 S	8/2017	Barraco	
D799,860 S	10/2017	Schmitt	
D805,815 S	12/2017	Leonorovitz	
D812,374 S	3/2018	Tilk	
D816,993 S	5/2018	Zhu	
D856,673 S	8/2019	Stirnemann	
D859,832 S	9/2019	Bokros	
D859,833 S	9/2019	Bokros	
D862,881 S	10/2019	Milburn	
D906,670 S	1/2021	Kuhls	
D935,319 S	11/2021	Ball	
11,318,599 B2	5/2022	Samsel et al.	
D957,115 S	7/2022	Bibler	
D964,784 S	9/2022	Anderson	
D983,575 S	4/2023	Tennenbaum	
D992,277 S	7/2023	Lamar	
2001/0032848 A1	10/2001	Jones	
2002/0162842 A1	11/2002	Pangerc et al.	
2006/0230795 A1	10/2006	Kroening	
2008/0110893 A1	5/2008	Cowie et al.	
2012/0012590 A1	1/2012	Earp	
2013/0200762 A1	8/2013	Schleicher	
2017/0233155 A1	8/2017	Daws, II et al.	
2019/0241349 A1	8/2019	Pearson et al.	

FOREIGN PATENT DOCUMENTS

CA	134662 S	8/2011
CN	207359024 U	5/2018
CN	307628121	11/2022
CN	307752349 *	12/2022

OTHER PUBLICATIONS

Crescent Jobox 72 in.×24 in. Sitevault Chest, available at homedepot.com, earliest customer review date Jun. 3, 2014 [online], site visited Sep. 5, 2023, available from the internet URL: <https://www.homedepot.com/p/Crescent-Jobox-72-in-x-24-in-Sitevault-Chest-2-658990/312412237#overlay> (Year: 2014).*

Crescent Jobox 72" Site-Vault Heavy-Duty Chest—2-658990, available at amazon.com, earliest date available Mar. 24, 2020 [online], site visited Sep. 5, 2023, available from the internet URL: <https://www.amazon.com/JOBOX-2-658990-Crescent-SITEVAULTCHEST-72X24/dp/B084XZRRMJ?th=1> (Year: 2020).*

Crescent Jobox 60" Site-Vault Piano Box—2-682990-01, available at amazon.com, earliest date available Feb. 18, 2020 [online], site visited Sep. 5, 2023, available from the internet URL: <https://www.amazon.com/Crescent-JOBOX-Site-Vault-Piano-Box/dp/B084Y7DT4Q?th=1> (Year: 2020).*

Large Turkish Decorative Jewellery Box, available at Istdibs.com, earliest date available 1900 [online], site visited Aug. 22, 2023, available from the internet URL: https://www.1stdibs.com/en-gb/furniture/decorative-objects/boxes/jewelry-boxes/large-turkish-decorative-jewellery-box/id-f_18267922/ (Year: 1900).

Jobox JSC1396980, available at cpoutlets.com, earliest customer review date Sep. 8, 2015 [online], site visited Aug. 22, 2023, URL: <https://www.cpoutlets.com/jobox-jsc1396980-steel-single-lid-deep-and-extra-wide-full-size-crossover-truck-box-white-jbxnjsc1396980.html#pdp-details-faq> (Year: 2015).

Crescent Jobox 72", available at amazon.com, earliest date available Mar. 24, 2020 [online], site visited Aug. 22, 2023, available from the internet URL: <https://www.amazon.com/JOBOX-2-658990-Crescent-SITEVAULTCHEST-72X24/dp/B084XZRRMJ?th=1> (Year: 2020).

Crescent Jobox 72 in.×24 in. Sitevault Chest, available at homedepot.com, earliest customer review date Jun. 3, 2014 [online], site visited Aug. 22, 2023, available from the internet URL: <https://www.homedepot.com/p/Crescent-Jobox-72-in-x-24-in-Sitevault-Chest-2-658990/312412237> (Year: 2014).

Office Action from related U.S. Appl. No. 16/548,174 dated Jul. 20, 2021, all pages cited in its entirety.

Rigid 48×24 in Universal Storage Chest, printed on Jul. 8, 2019 from <https://www.homedepot.com/p/RIDGID-48-in-x-24-in-Universal-Storage-Chest-4BR-OS/300748574>, all enclosed pages cited.

Crescent Jobox 48 in. Tradesman Chest, available at homedepot.com, earliest customer review date Jan. 1, 2019 [online], site visited Sep. 5, 2023, available from the internet URL: <https://www.homedepot.com/p/Crescent-Jobox-48-in-Tradesman-Chest-0CJB637990/312412232?> (Year: 2019).

Knaack Jobmaster Chest, available at homedepot.com, earliest customer review date Feb. 1, 2023 [online], site visited Sep. 5, 2023, available from the internet URL: <https://www.homedepot.com/p/Knaack-Jobmaster-42-in-x-19-in-x-23-37-in-Rolling-Storage-Chest-42CT/317513427> (Year: 2023).

Cat 48 in. Jobsite Tool BoxChest, available at homedepot.com, earliest customer review date Sep. 21, 2021 [online], site visited Sep. 5, 2023, available from the internet URL: <https://www.homedepot.com/p/CAT-48-in-Jobsite-Tool-Box-Chest-CT44R/312182582#overlay> (Year: 2021).

* cited by examiner

Primary Examiner — April Rivas
 Assistant Examiner — Jillian Mazzola
 (74) Attorney, Agent, or Firm — BURR & FORMAN LLP

(57) CLAIM

The ornamental design for a storage chest, as shown and described.

DESCRIPTION

FIG. 1 is a perspective front view of a storage chest where the lid of the storage chest is in an open position in accordance with the present design; and, FIG. 2 is a front view of the storage chest of FIG. 1. Any broken lines of the storage chest in FIGS. 1-2 are illustrative of portions of the storage chest that form no part of the claimed design.

1 Claim, 2 Drawing Sheets

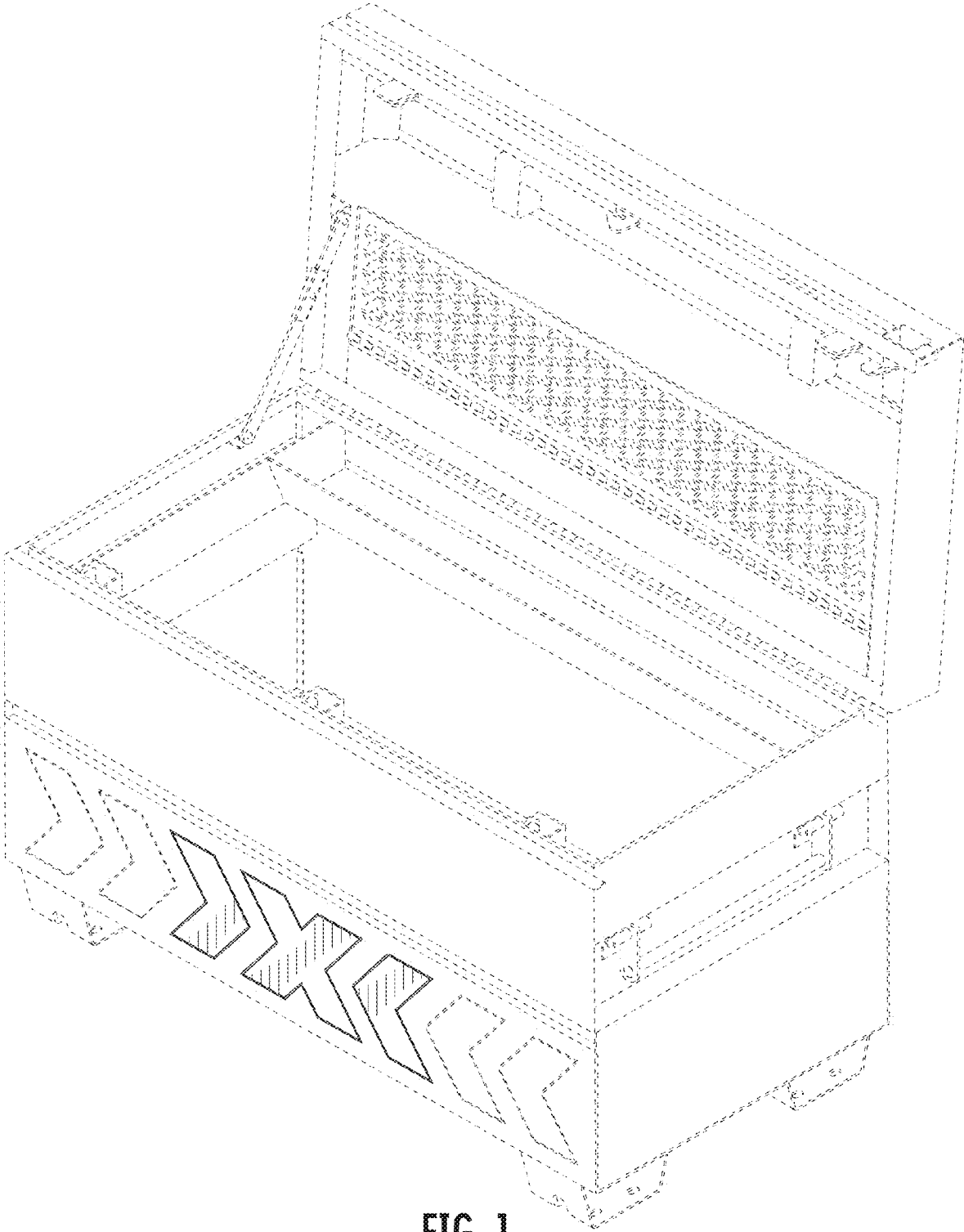


FIG. 1

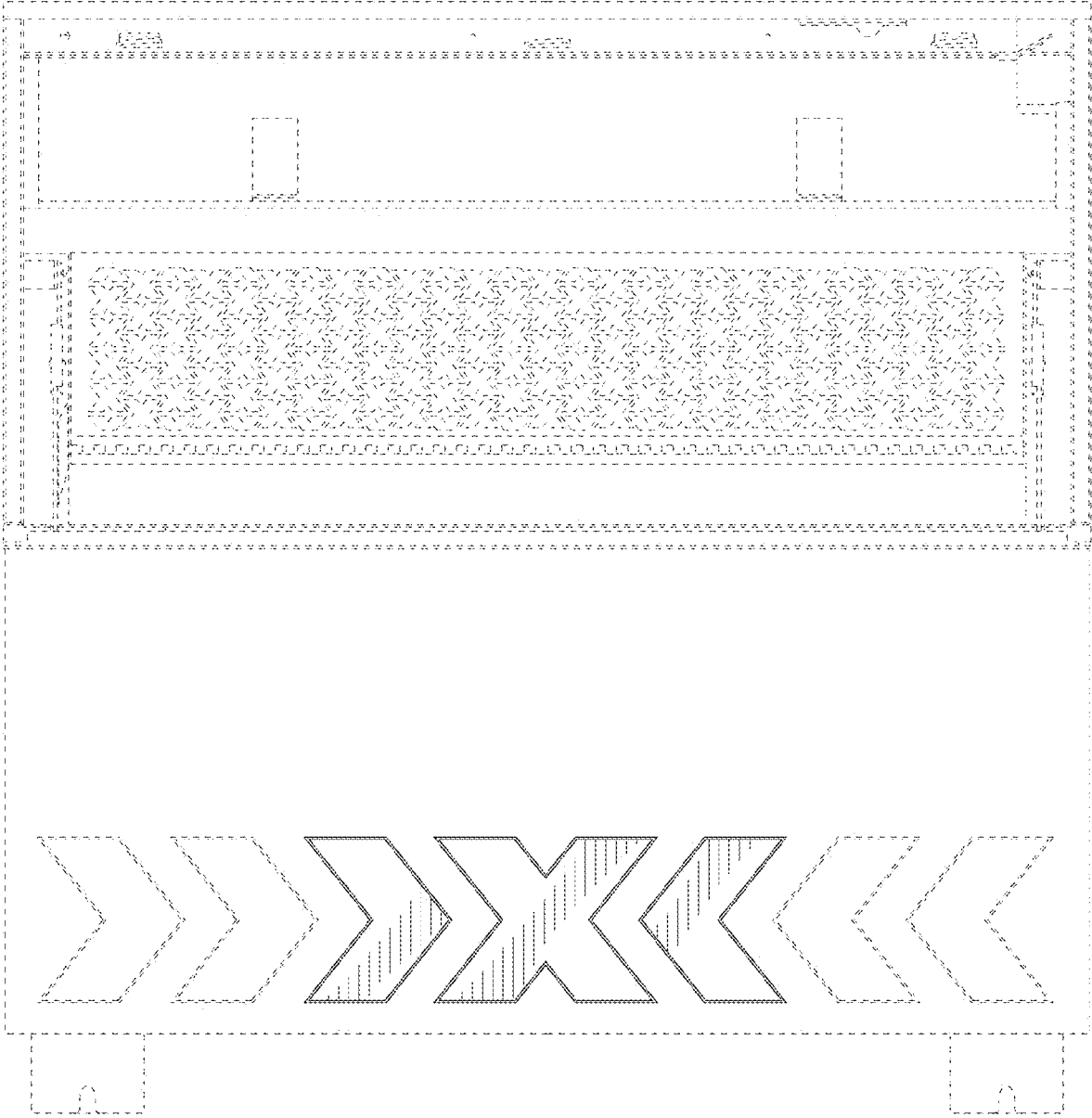


FIG. 2