



US00D695104S

(12) **United States Design Patent**  
**Sill**

(10) **Patent No.:** **US D695,104 S**

(45) **Date of Patent:** **\*\* Dec. 10, 2013**

(54) **WINDOWED CLOSEABLE CARTON**

(75) Inventor: **Jonathan D. Sill**, Powell, OH (US)

(73) Assignee: **Inno-Pak, LLC**, Delaware, OH (US)

(\*\*) Term: **14 Years**

(21) Appl. No.: **29/416,277**

(22) Filed: **Mar. 20, 2012**

(51) **LOC (9) Cl.** ..... **09-03**

(52) **U.S. Cl.**

USPC ..... **D9/418**

(58) **Field of Classification Search**

USPC ..... D9/456, 715, 517, 430-433, 414-419,  
D9/423, 424, 426, 428, 499, 454, 744, 748,  
D9/749, 501, 503, 722, 736; 206/769, 773,  
206/775-778, 395, 397, 398, 223, 736, 756,  
206/495, 349, 760, 541, 784; 229/162.1,  
229/162.3, 162.7, 107, 122, 395, 938, 902,  
229/409, 125.05, 116.1; 514/165; 215/380,  
215/382; 220/4.29, 4.31-4.32, 509, 512,  
220/515, 676, 560.01; D27/186, 190;  
D7/541, 543, 553.1, 629

See application file for complete search history.

(56) **References Cited**

**U.S. PATENT DOCUMENTS**

D73,127 S	7/1927	Greve	
D106,826 S	11/1937	Dieffenbach	
2,793,801 A *	5/1957	Papadopoulos	229/117.14
D259,615 S	6/1981	Morris, Jr.	
D329,376 S	9/1992	Burd	
5,411,204 A	5/1995	DeMay	
5,873,220 A	2/1999	Haraldsson et al.	
D442,859 S *	5/2001	Hirschey	D9/418
D467,798 S	12/2002	Cohon	
D495,251 S	8/2004	Zack	
D497,309 S *	10/2004	Nordland et al.	D9/415
D519,366 S	4/2006	Epstein	

(Continued)

*Primary Examiner* — Robert M Spear

*Assistant Examiner* — Rhea Shields

(74) *Attorney, Agent, or Firm* — Ward and Smith, P.A.

(57) **CLAIM**

The ornamental design for a windowed closeable carton, as shown and described.

**DESCRIPTION**

FIG. 1 is a perspective view of a windowed closeable carton showing a new design;

FIG. 2 is a right side elevation view thereof;

FIG. 3 is a left side elevation view thereof;

FIG. 4 is a front elevation view thereof;

FIG. 5 is a rear elevation view thereof;

FIG. 6 is a top plan view thereof;

FIG. 7 is a bottom plan view thereof;

FIG. 8 is a cross-sectional view taken in the direction of line 8-8 of FIG. 6;

FIG. 9 is a cross-sectional view taken in the direction of line 9-9 of FIG. 6;

FIG. 10 is another perspective view thereof, showing the windowed closeable carton in an open configuration;

FIG. 11 is another top plan view thereof, showing the windowed closeable carton in an open blank configuration.

FIG. 12 is a perspective view of another embodiment of a windowed closeable carton showing my new design, the right side elevation, left side elevation, bottom plan, and cross-section views being identical to those shown in FIGS. 2, 3, 7, 8 and 9 respectively;

FIG. 13 is a front elevation view thereof;

FIG. 14 is a rear elevation view thereof;

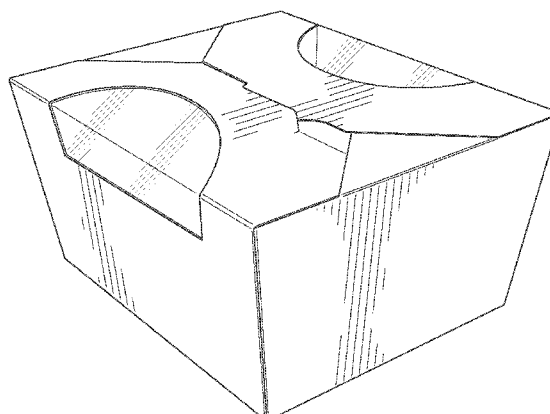
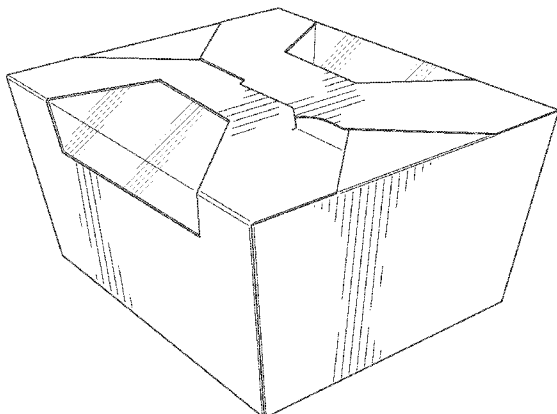
FIG. 15 is a top plan view thereof;

FIG. 16 is a cross-section view taken on line 16-16 of FIG. 15;

FIG. 17 is another perspective view thereof, showing the windowed closeable carton of FIG. 12 in an open configuration; and,

FIG. 18 is another top plan view thereof, showing the windowed closeable carton of FIG. 12 in an open blank configuration.

**1 Claim, 14 Drawing Sheets**



(56)

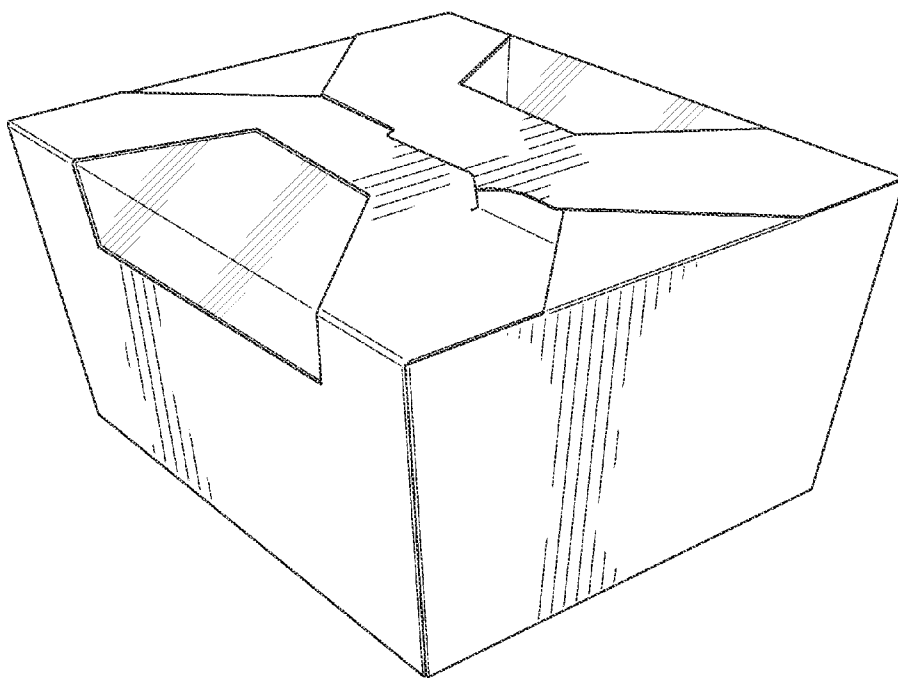
**References Cited**

U.S. PATENT DOCUMENTS

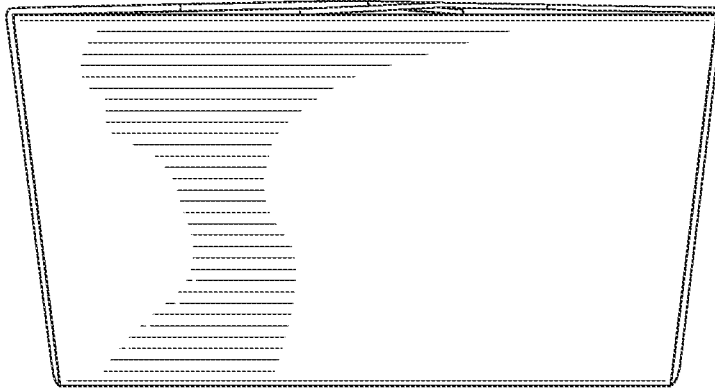
D542,129 S 5/2007 Moorman  
D562,125 S 2/2008 Kienemund-Paroll  
D622,139 S \* 8/2010 Marcott et al. .... D9/418  
D630,508 S 1/2011 Hubbard et al.  
D631,741 S 2/2011 Hubbard et al.  
D631,742 S 2/2011 Hubbard et al.  
D631,743 S 2/2011 Hubbard et al.  
8,061,585 B2 11/2011 Nikolai et al.

D674,690 S 1/2013 Sill  
D675,092 S 1/2013 Sill  
D675,520 S 2/2013 Sill  
D675,920 S 2/2013 Sill  
D678,761 S 3/2013 Cooper  
D678,779 S 3/2013 Lee  
D679,950 S 4/2013 Cooper  
D684,858 S \* 6/2013 Sill ..... D9/433  
2004/0182916 A1 9/2004 Roseth  
2008/0269034 A1 10/2008 Stier

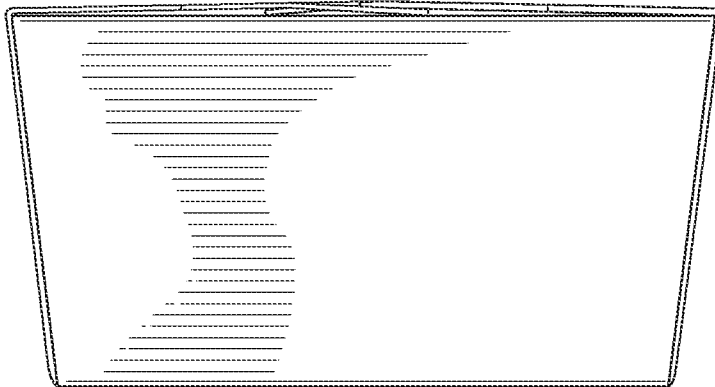
\* cited by examiner



*FIG. 1*



**FIG. 2**



**FIG. 3**

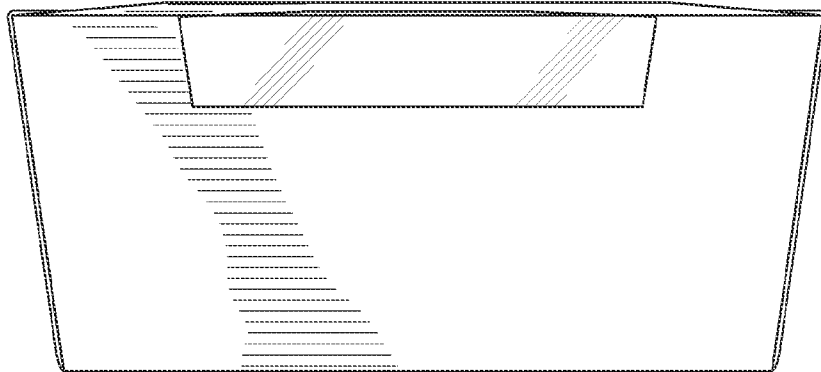


FIG. 4

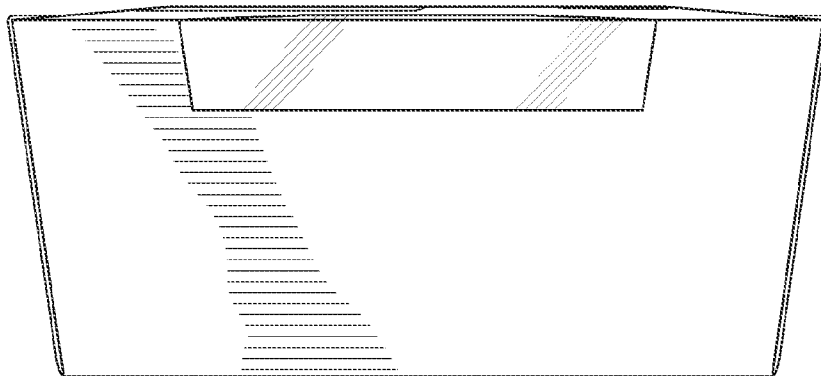


FIG. 5

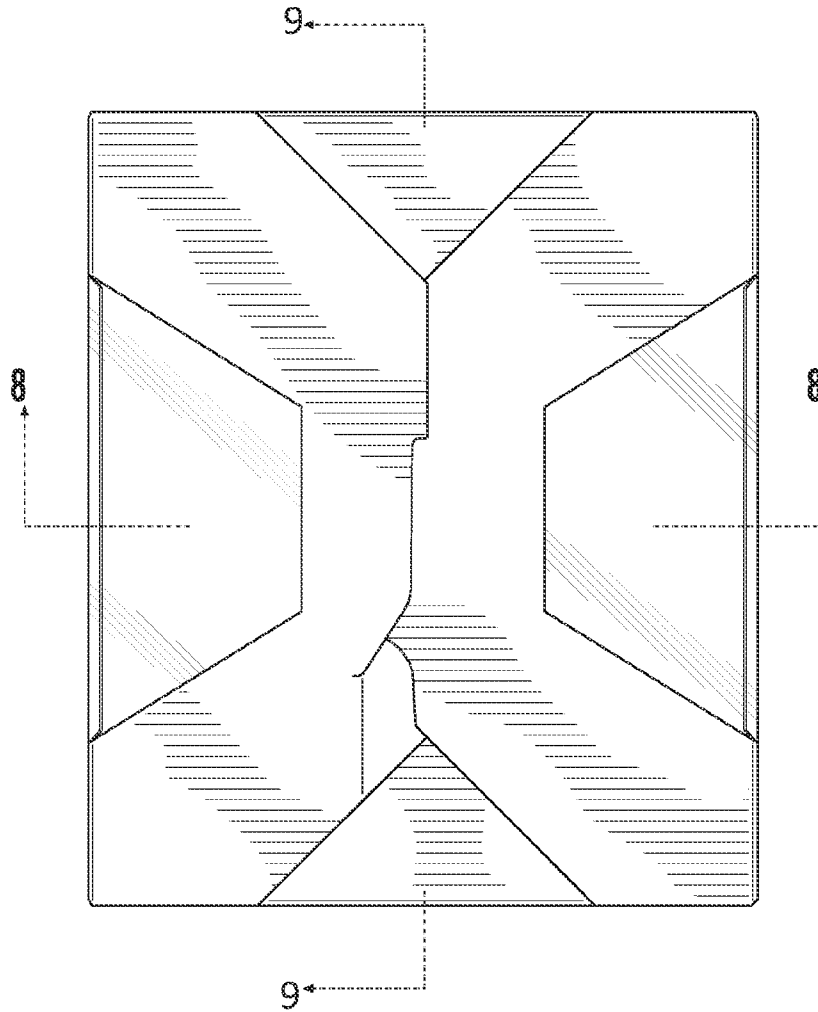
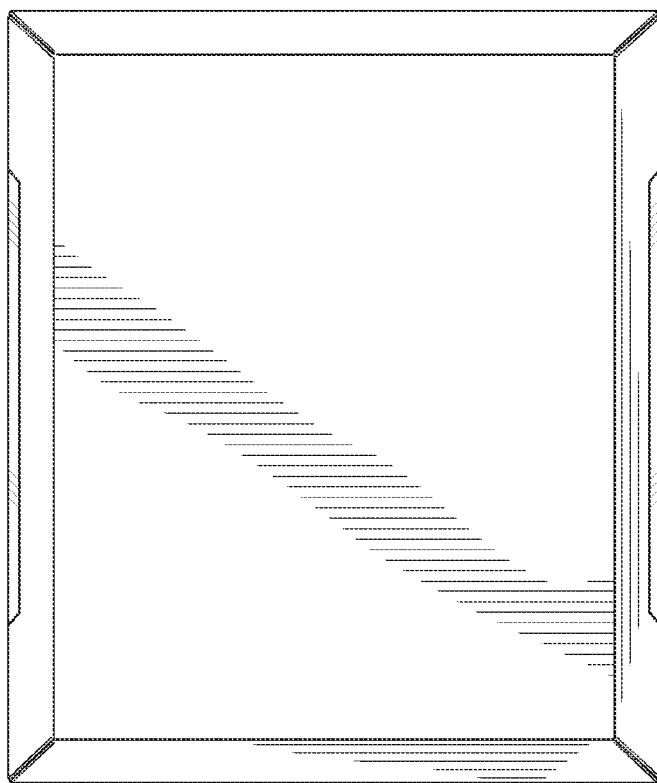


FIG. 6



**FIG. 7**

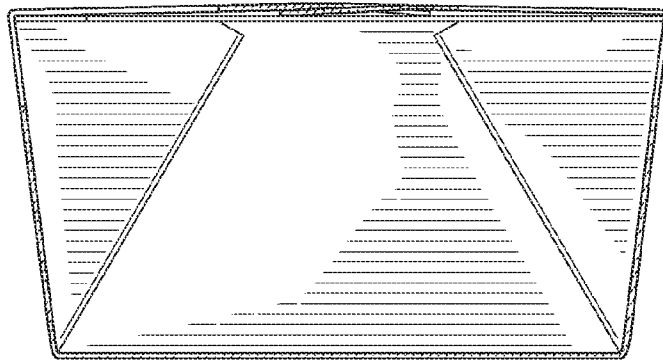


FIG. 8.

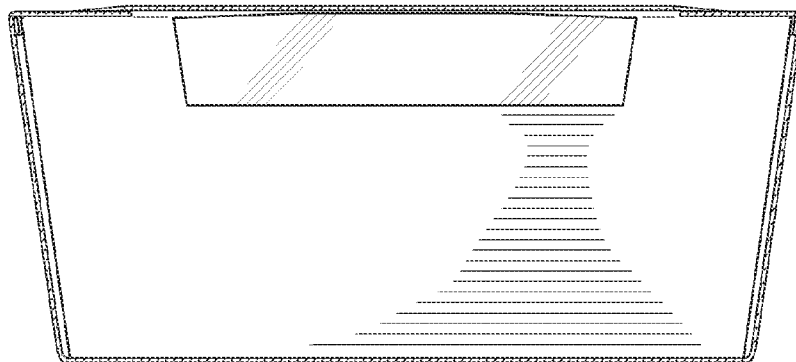


FIG. 9



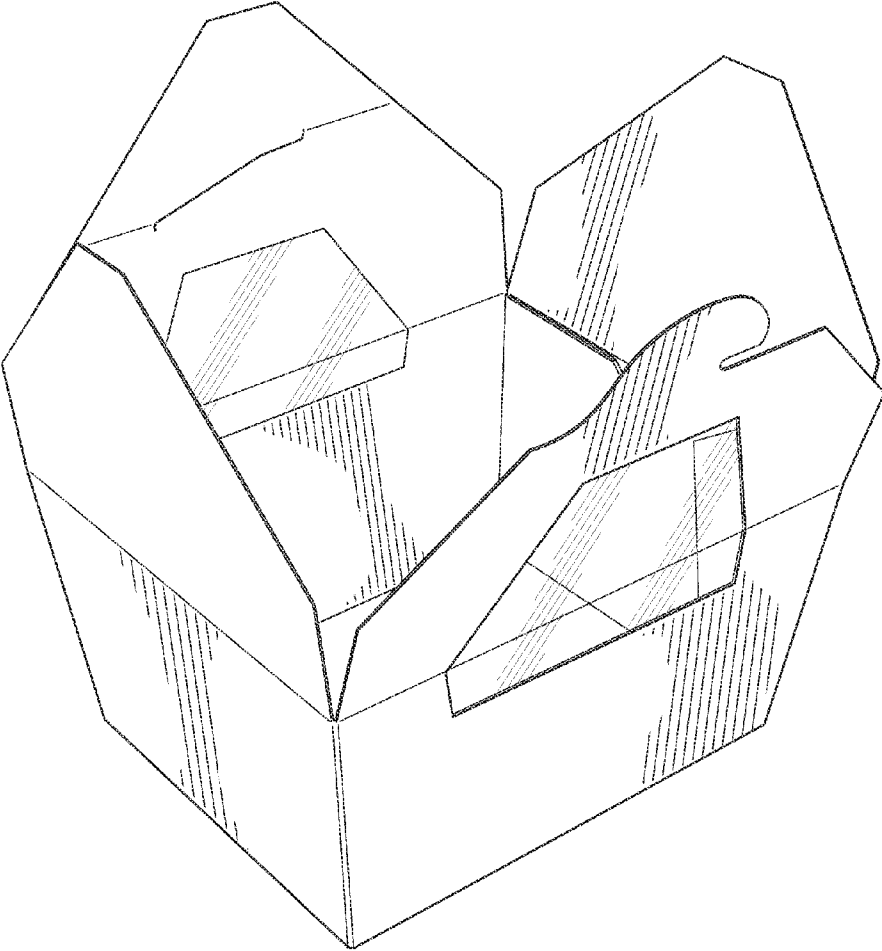


FIG. 10

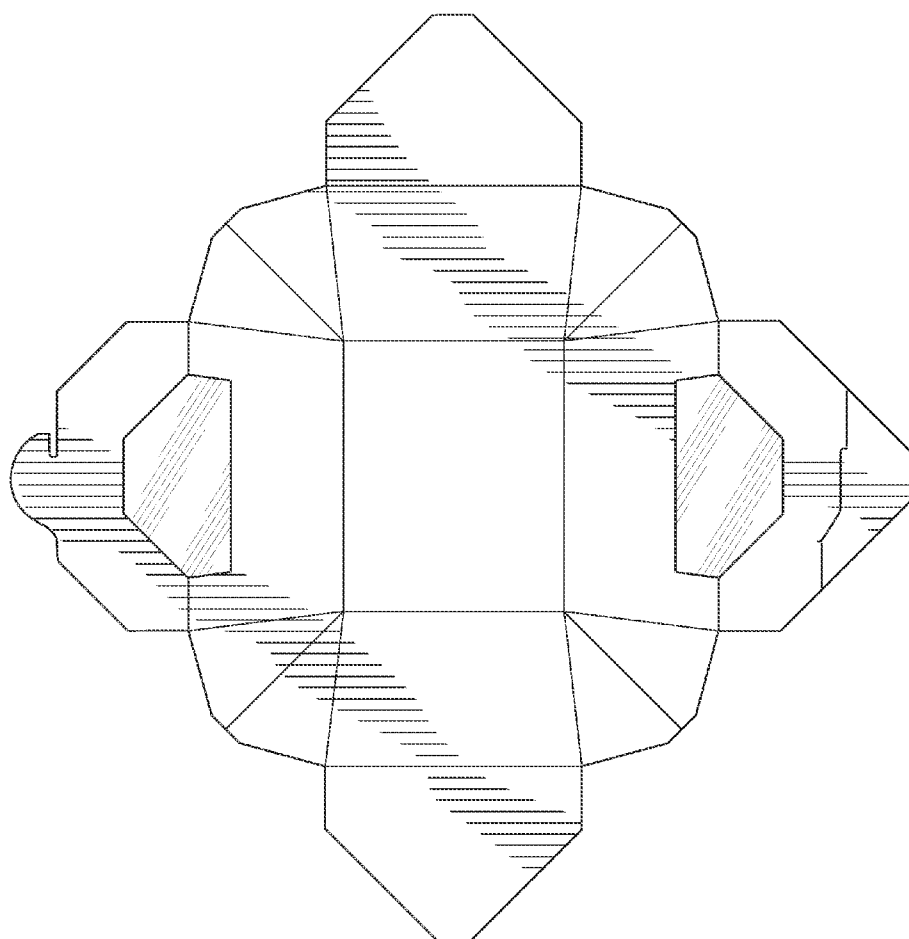


FIG. 11

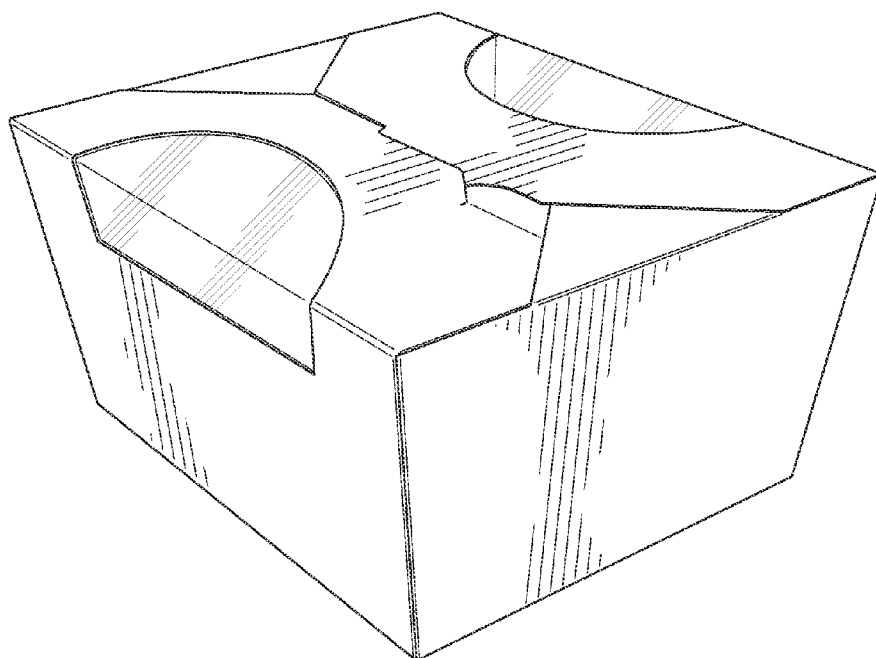


FIG.12

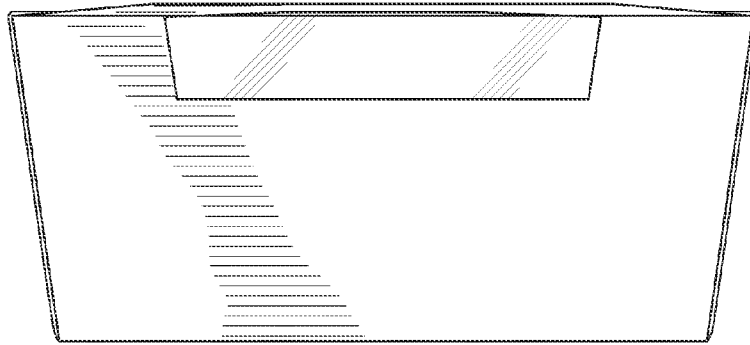


FIG. 13

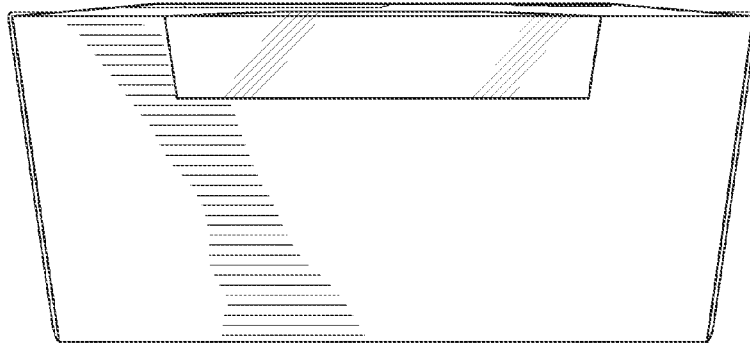


FIG. 14

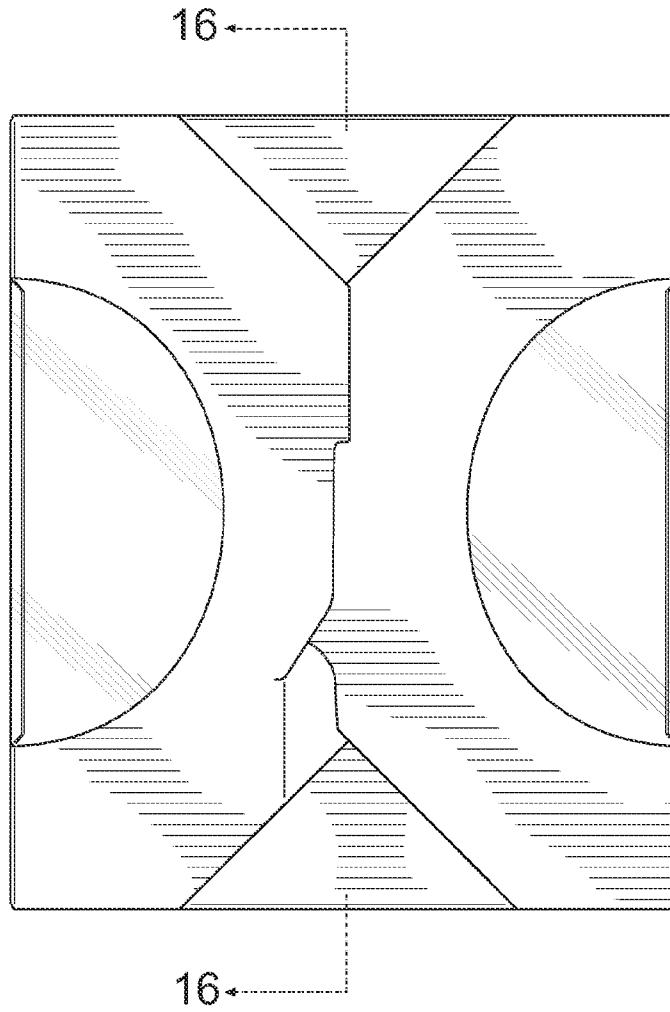


FIG. 15

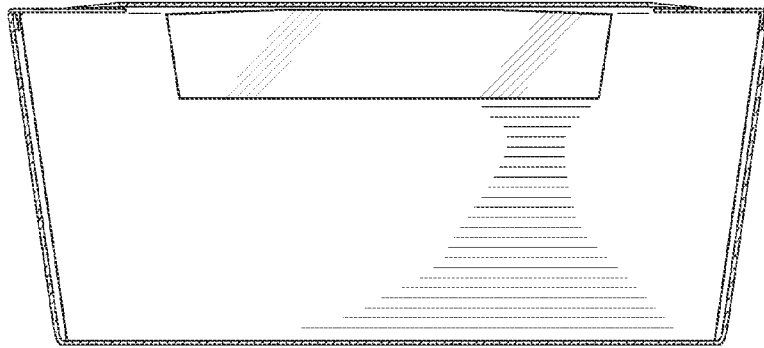


FIG. 16

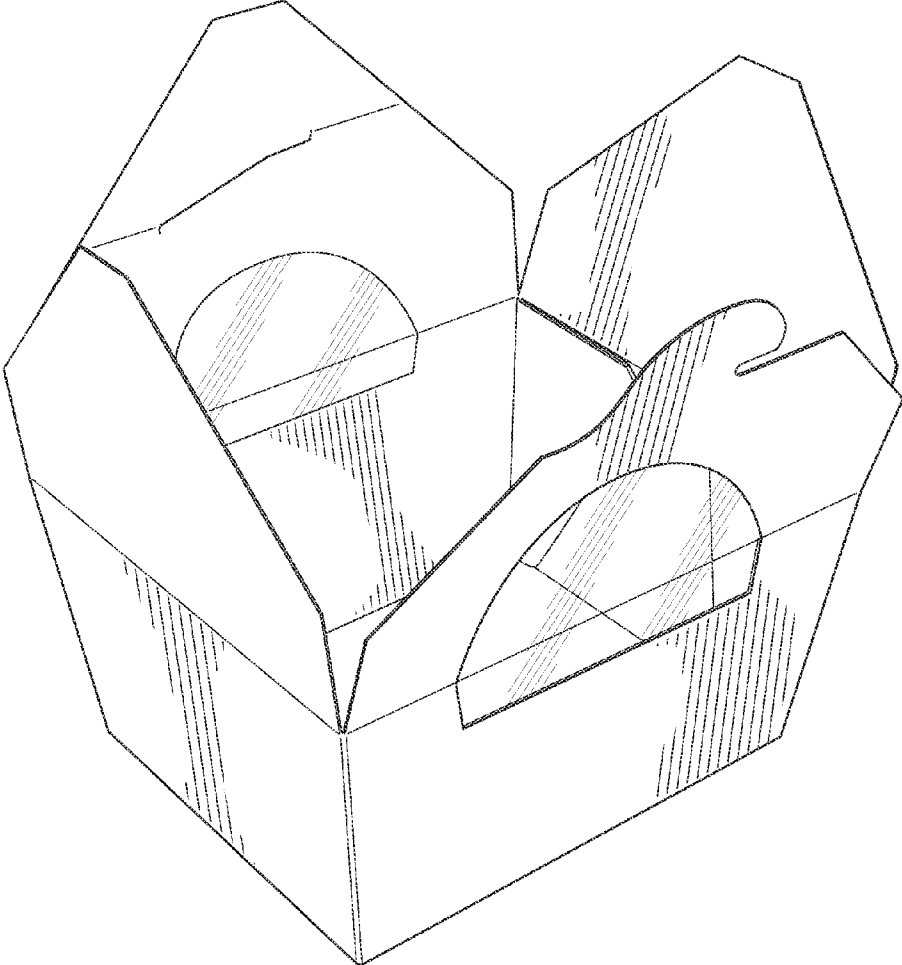


FIG. 17

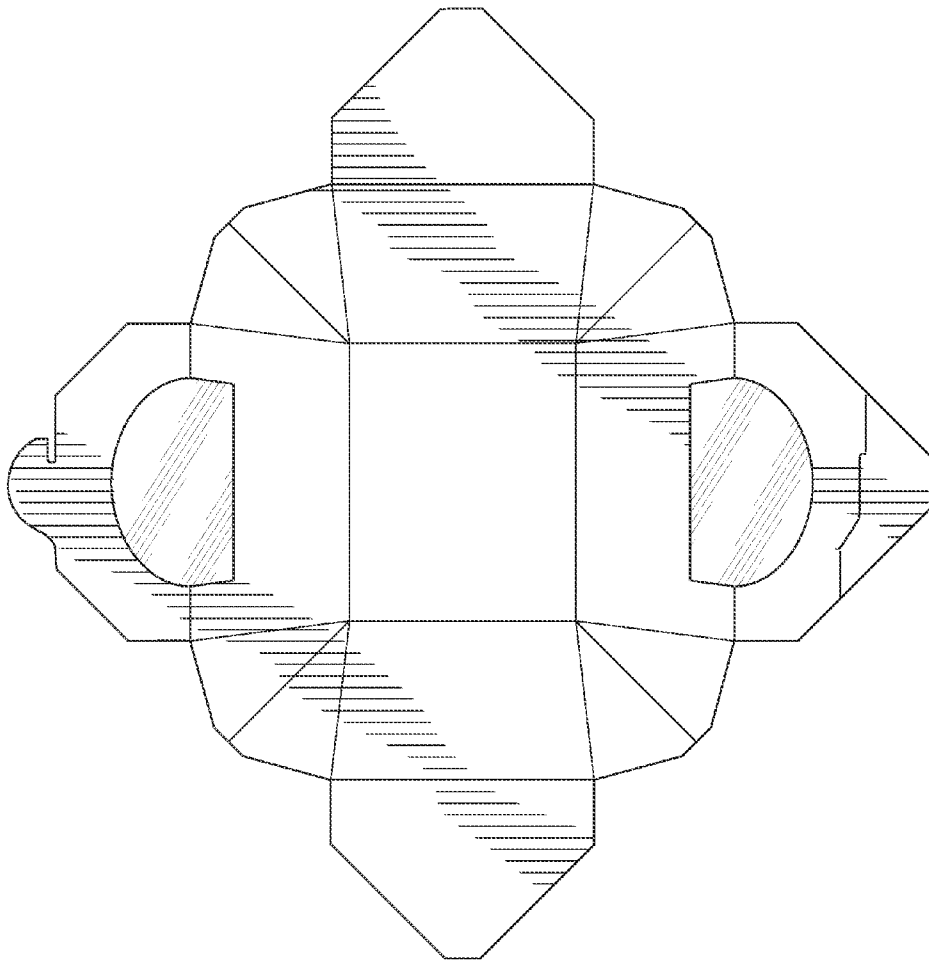


FIG. 18