



US00D620703S

(12) **United States Design Patent**  
**Jacobs et al.**

(10) **Patent No.:** **US D620,703 S**

(45) **Date of Patent:** **\*\* Aug. 3, 2010**

(54) **SOFT COVER SPEAKER CASING**

(75) Inventors: **David Jacobs**, Rolling Hills, CA (US);  
**Scott Miyako**, Torrance, CA (US);  
**Rohini Minapalli**, Huntington Beach,  
CA (US)

(73) Assignee: **Anchor Audio, Inc.**, Torrance, CA (US)

(\*\*) Term: **14 Years**

(21) Appl. No.: **29/318,951**

(22) Filed: **May 30, 2008**

(51) **LOC (9) Cl.** ..... **03-01**

(52) **U.S. Cl.** ..... **D3/218**

(58) **Field of Classification Search** ..... D14/204,  
D14/210-216, 172, 496, 217; 181/143-144,  
181/147-148, 150-153, 157, 198-199; 381/300-303,  
381/306, 332-333, 336, 345, 361-364, 386-388;  
D3/201, 218

See application file for complete search history.

(56) **References Cited**

U.S. PATENT DOCUMENTS

4,843,624	A	*	6/1989	Rashak	.....	381/387
D446,928	S	*	8/2001	Formica	.....	D3/218
D519,275	S	*	4/2006	Shertzer	.....	D3/218
D526,662	S	*	8/2006	Choi	.....	D14/496
D558,973	S	*	1/2008	Hussaini et al.	.....	D3/201
D563,431	S	*	3/2008	Entner	.....	D14/496
D566,130	S	*	4/2008	Entner	.....	D14/217

\* cited by examiner

*Primary Examiner*—Nanda Bondade

(74) *Attorney, Agent, or Firm*—The Eclipse Group LLP

(57) **CLAIM**

We claim the ornamental design for a soft cover speaker casing, as shown and described.

**DESCRIPTION**

FIG. 1 is a front view of a soft cover speaker casing.

FIG. 2 is a right side view of the soft cover speaker casing of FIG. 1.

FIG. 3 is a left side view of the soft cover speaker casing of FIG. 1.

FIG. 4 is a top right rear perspective view of the soft cover speaker casing of FIG. 1.

FIG. 5 is a bottom right rear perspective view of the soft cover speaker casing of FIG. 1.

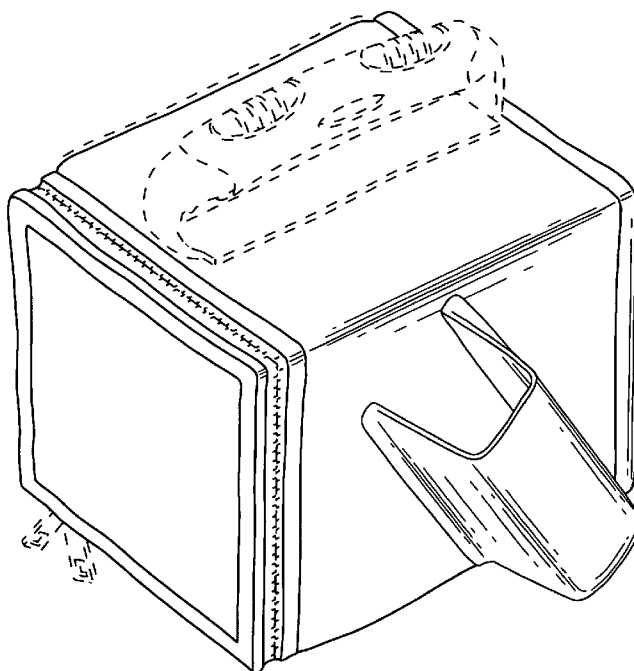
FIG. 6 a bottom left rear perspective view of the soft cover speaker casing of FIG. 1.

FIG. 7 is a front perspective view of the soft cover speaker casing of FIG. 1 with the rear panel in an open position; and,

FIG. 8 is rear view of the soft cover speaker casing of FIG. 1, with the rear panel in an open position.

The broken lines in the Figures are included for the purpose of illustration and form no part of the claimed design. The broken lines showing a zipper and zipper pull tabs illustrate environmental structure and form no part of the claimed design.

**1 Claim, 8 Drawing Sheets**



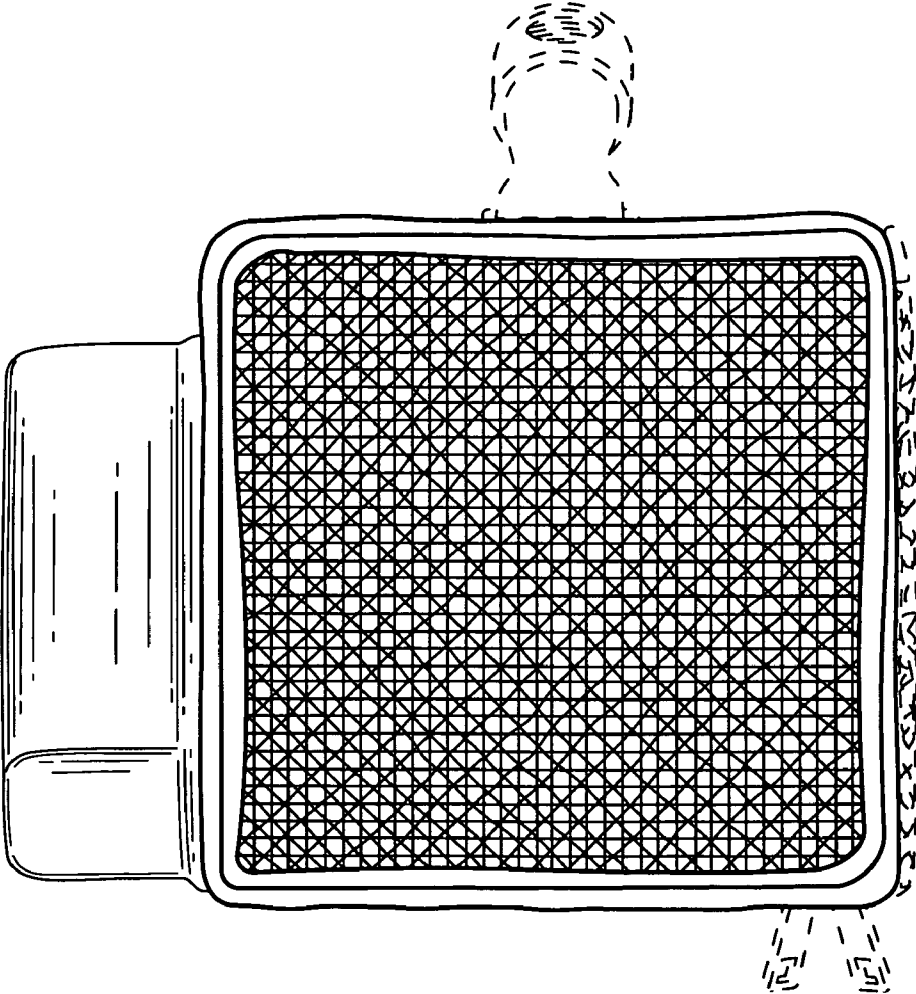


Fig. 1

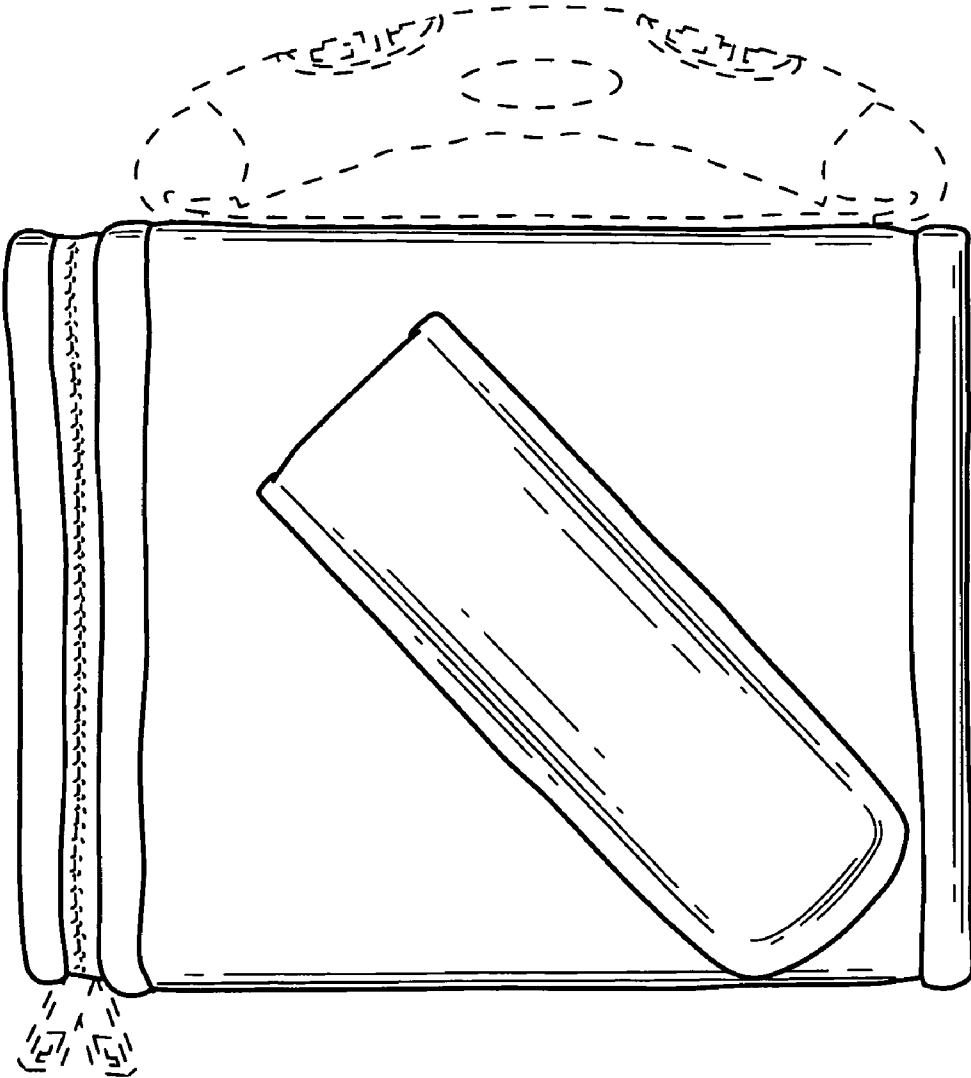


Fig. 2

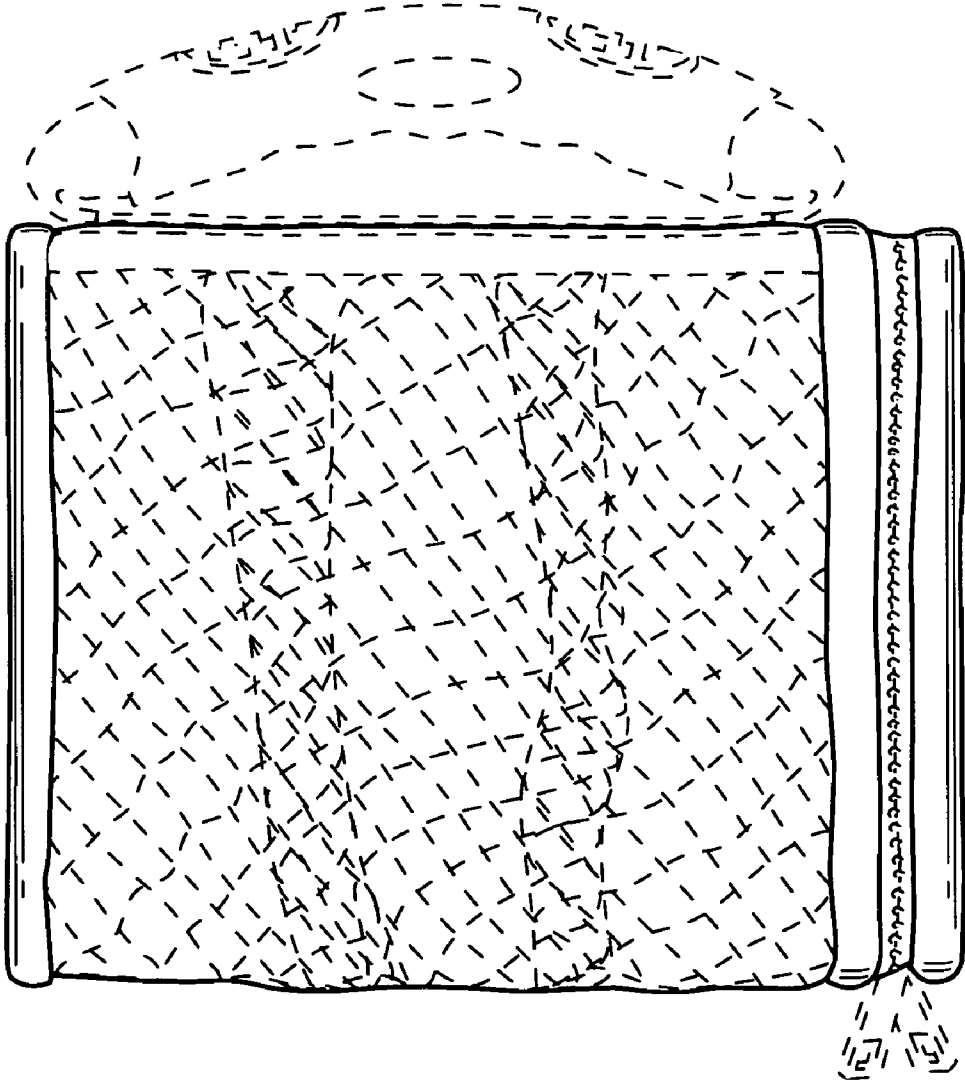


Fig. 3

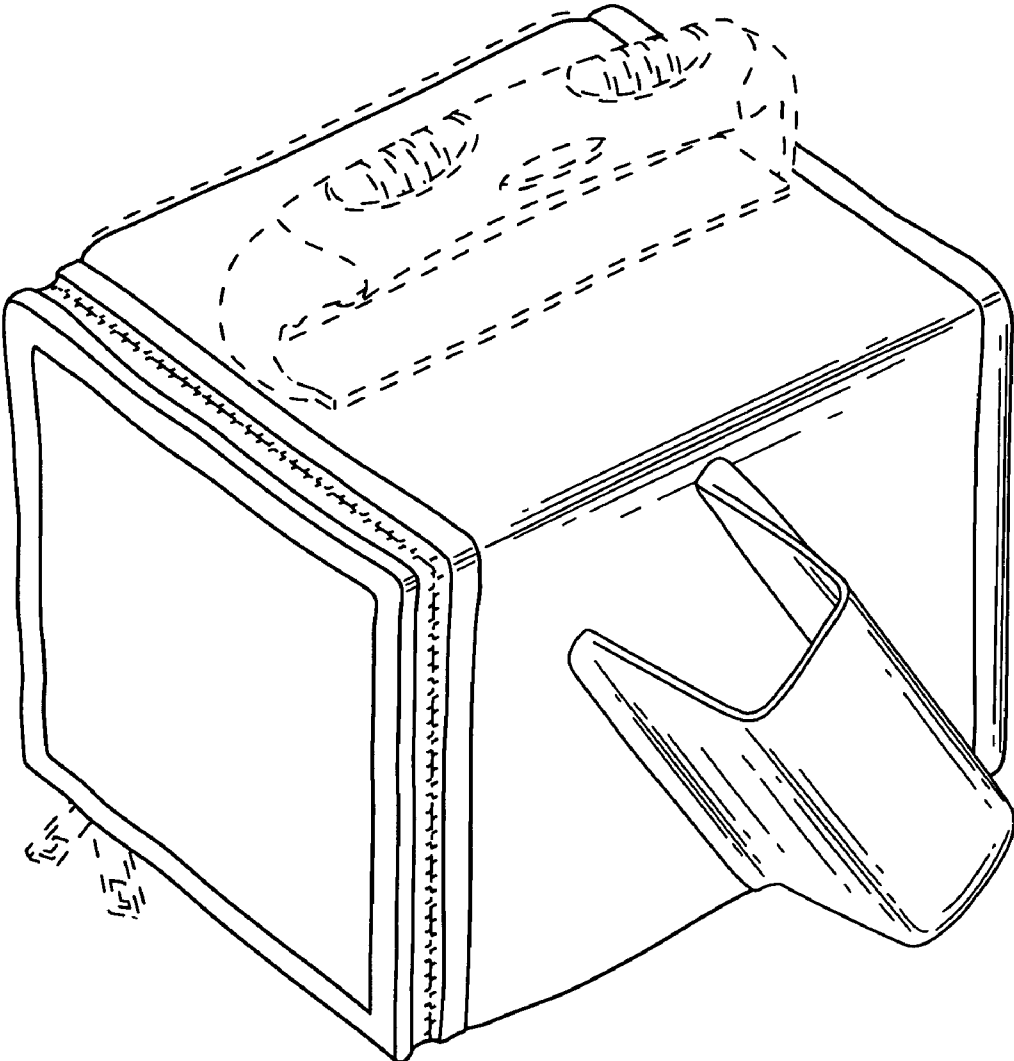


Fig. 4

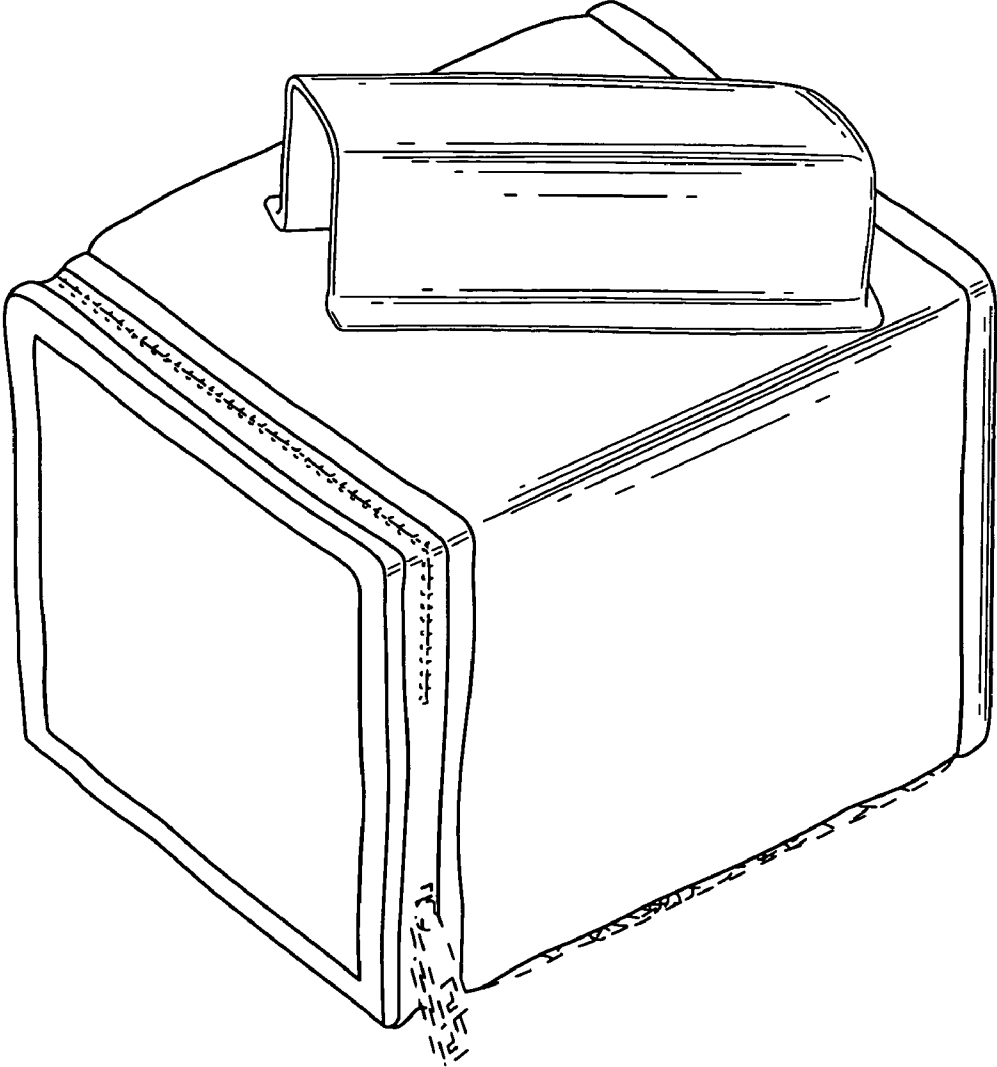


Fig. 5

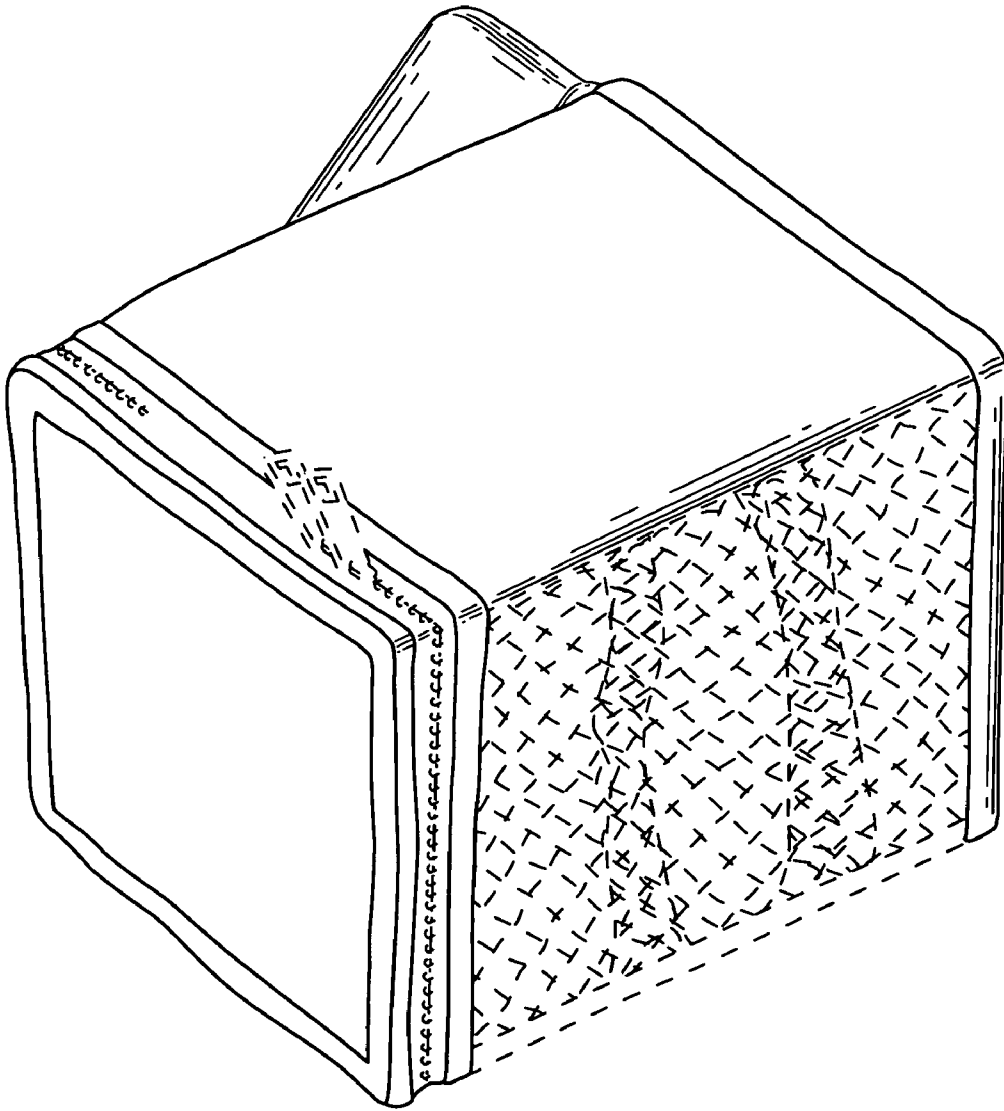


Fig. 6

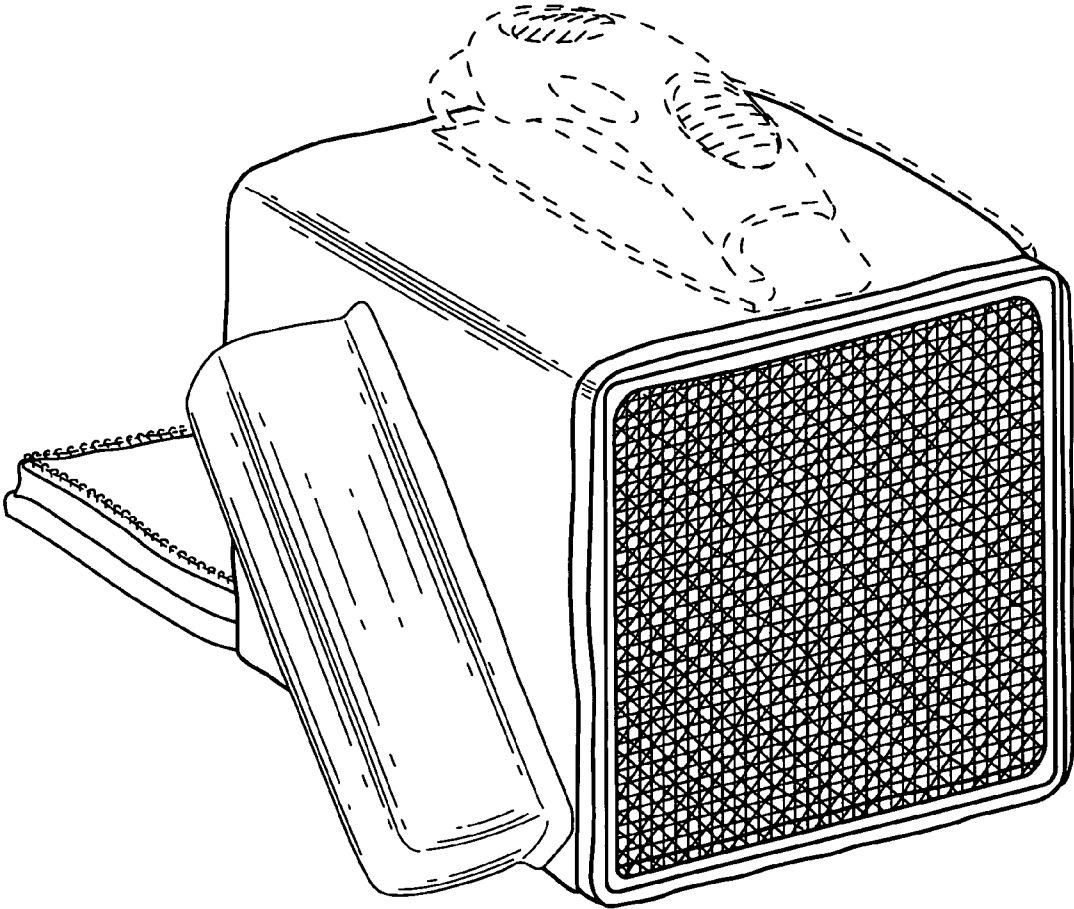


Fig. 7



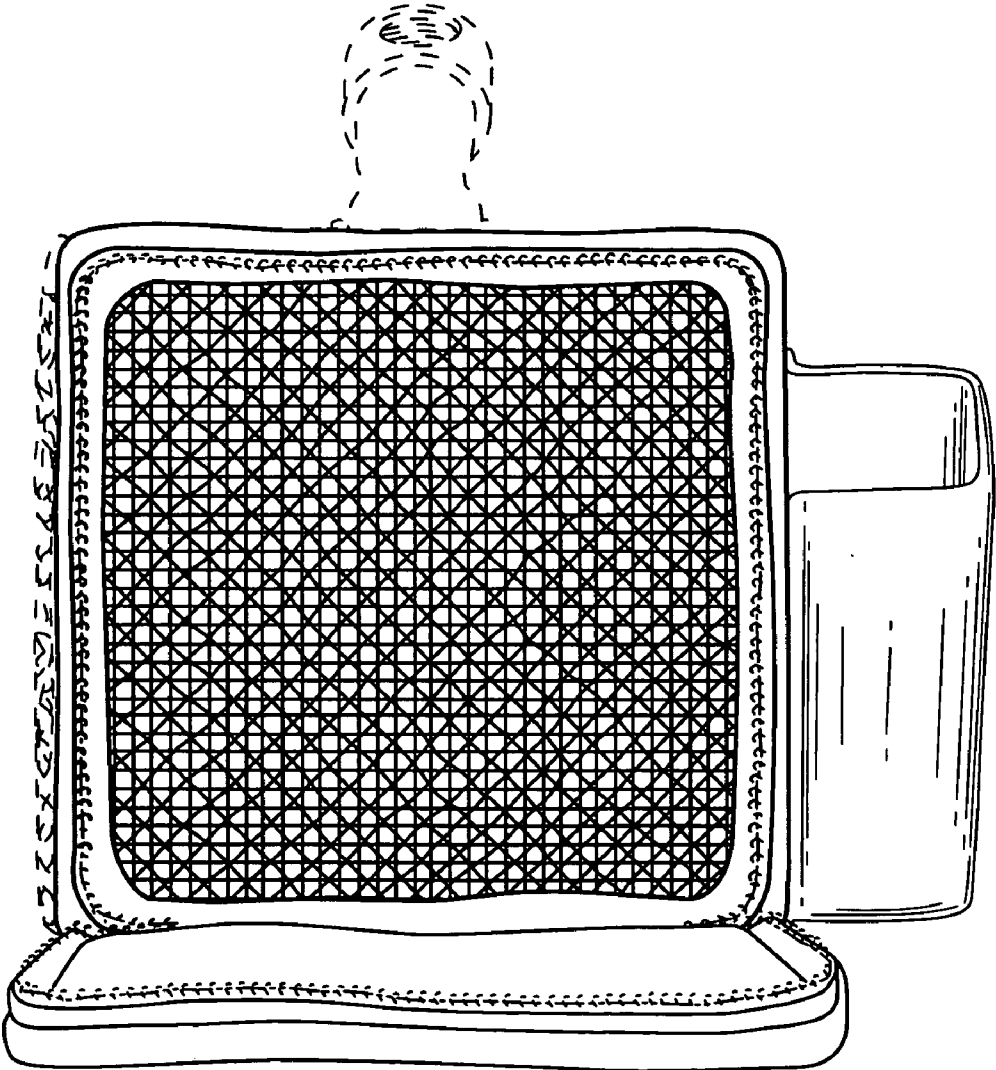


Fig. 8