



US00D749151S

(12) **United States Design Patent**  
**McAdam et al.**

(10) **Patent No.:** **US D749,151 S**

(45) **Date of Patent:** **\*\* Feb. 9, 2016**

- (54) **SNOW PLOUGH ATTACHMENT**
- (71) Applicant: **Multihog Limited**, Dundalk, County Louth (IE)
- (72) Inventors: **James McAdam**, Carlingford (IE); **Gerard McHugh**, Carrickmacross (IE)
- (73) Assignee: **Multihog Limited**, Dundalk (IE)
- (\*\*) Term: **14 Years**
- (21) Appl. No.: **29/504,566**
- (22) Filed: **Oct. 7, 2014**
- (51) **LOC (10) Cl.** ..... **15-03**
- (52) **U.S. Cl.**  
USPC ..... **D15/32**
- (58) **Field of Classification Search**  
USPC ..... D15/10, 11, 22-26, 28, 32  
CPC ..... E01H 5/06-5/062; E02F 3/76-3/848  
See application file for complete search history.

3,410,008	A *	11/1968	Standfuss	.....	37/231
3,987,562	A *	10/1976	Deen et al.	.....	37/231
4,304,056	A *	12/1981	Watson et al.	.....	37/233
4,821,436	A *	4/1989	Slocum	.....	37/235
4,924,610	A *	5/1990	Sodemann	.....	37/231
5,136,795	A *	8/1992	Rosenberg	.....	37/233
D395,436	S *	6/1998	Hagenbuch	.....	D15/32
5,950,336	A *	9/1999	Liebl	.....	37/231
6,354,024	B1 *	3/2002	Kost et al.	.....	37/231
6,732,811	B1 *	5/2004	Elliott	.....	172/445.1
6,843,002	B1 *	1/2005	Moffitt	.....	37/231
6,964,121	B2 *	11/2005	Harris	.....	37/231
7,818,903	B2 *	10/2010	Elliot	.....	37/468
7,975,407	B2 *	7/2011	Dilworth et al.	.....	37/231
D692,927	S *	11/2013	Jones	.....	D15/32
2007/0101620	A1 *	5/2007	Roy	.....	37/232

\* cited by examiner

*Primary Examiner* — Mitchell Siegel  
(74) *Attorney, Agent, or Firm* — Sughrue Mion, PLLC

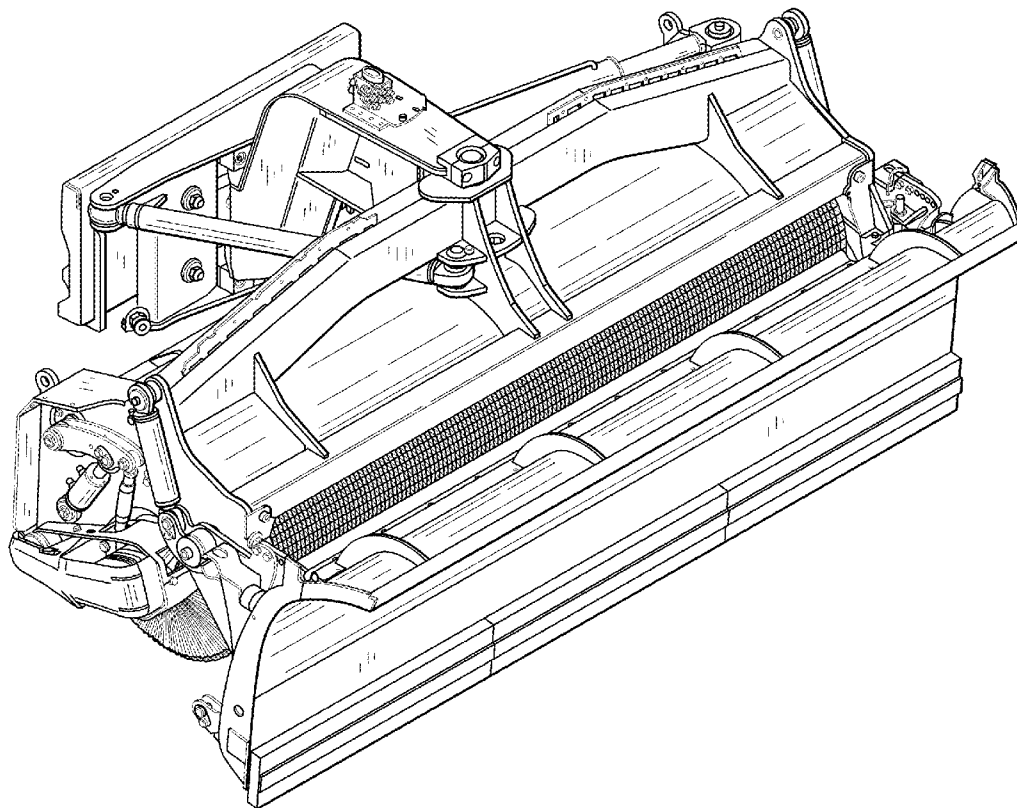
(57) **CLAIM**  
A snow plough attachment, as shown and described.

**DESCRIPTION**

FIG. 1 is a top perspective view from the front and one side of a snow plough attachment showing my new design; and, FIG. 2 is a top perspective view from the rear and the other side to that of FIG. 1 of the snow plough attachment of FIG. 1.

**1 Claim, 2 Drawing Sheets**

- (56) **References Cited**  
U.S. PATENT DOCUMENTS  
2,808,666 A \* 10/1957 Schneckloth ..... 172/826  
2,991,566 A \* 7/1961 Sumner et al. .... 37/232  
3,214,138 A \* 10/1965 Jocher et al. .... 254/124



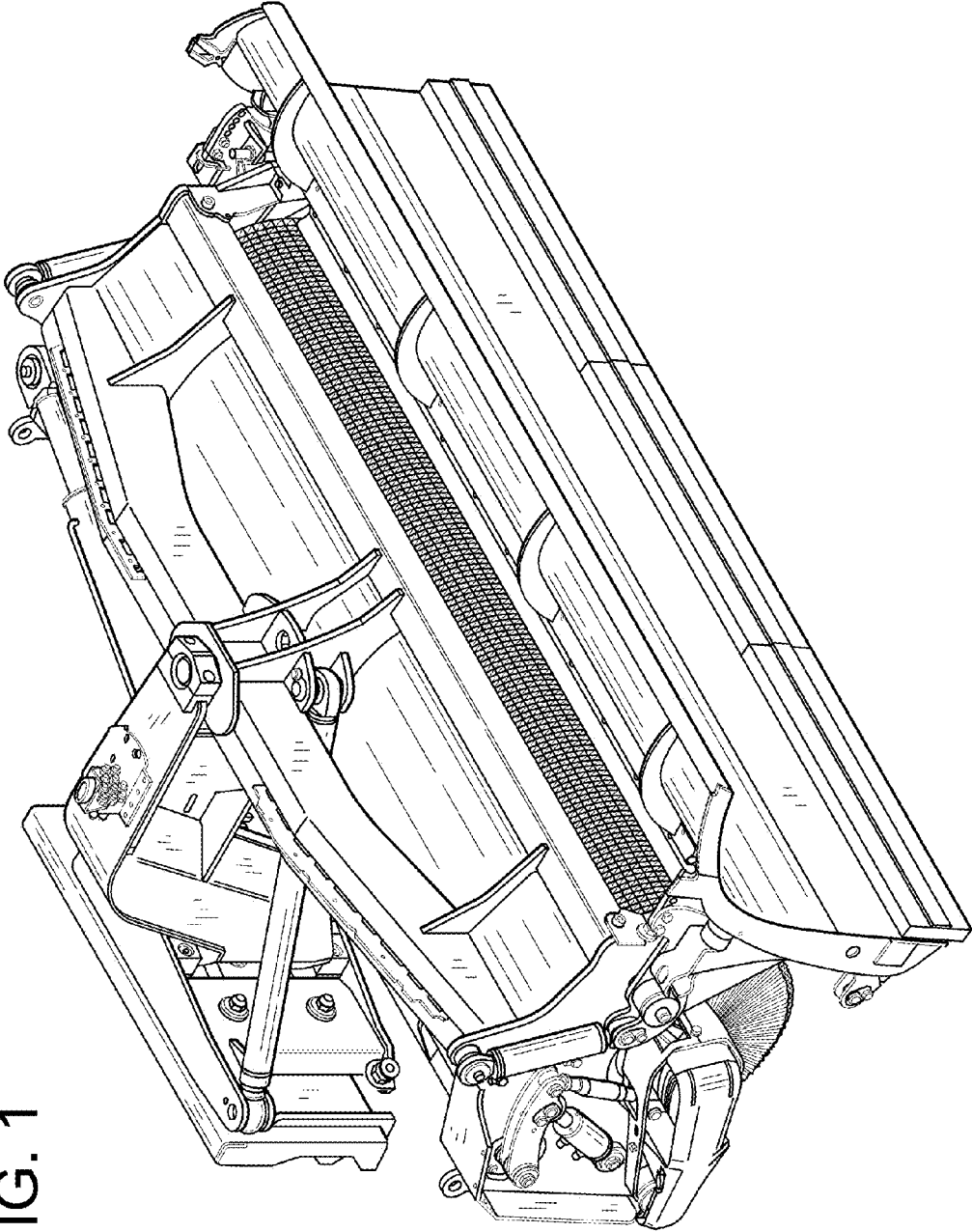


FIG. 1

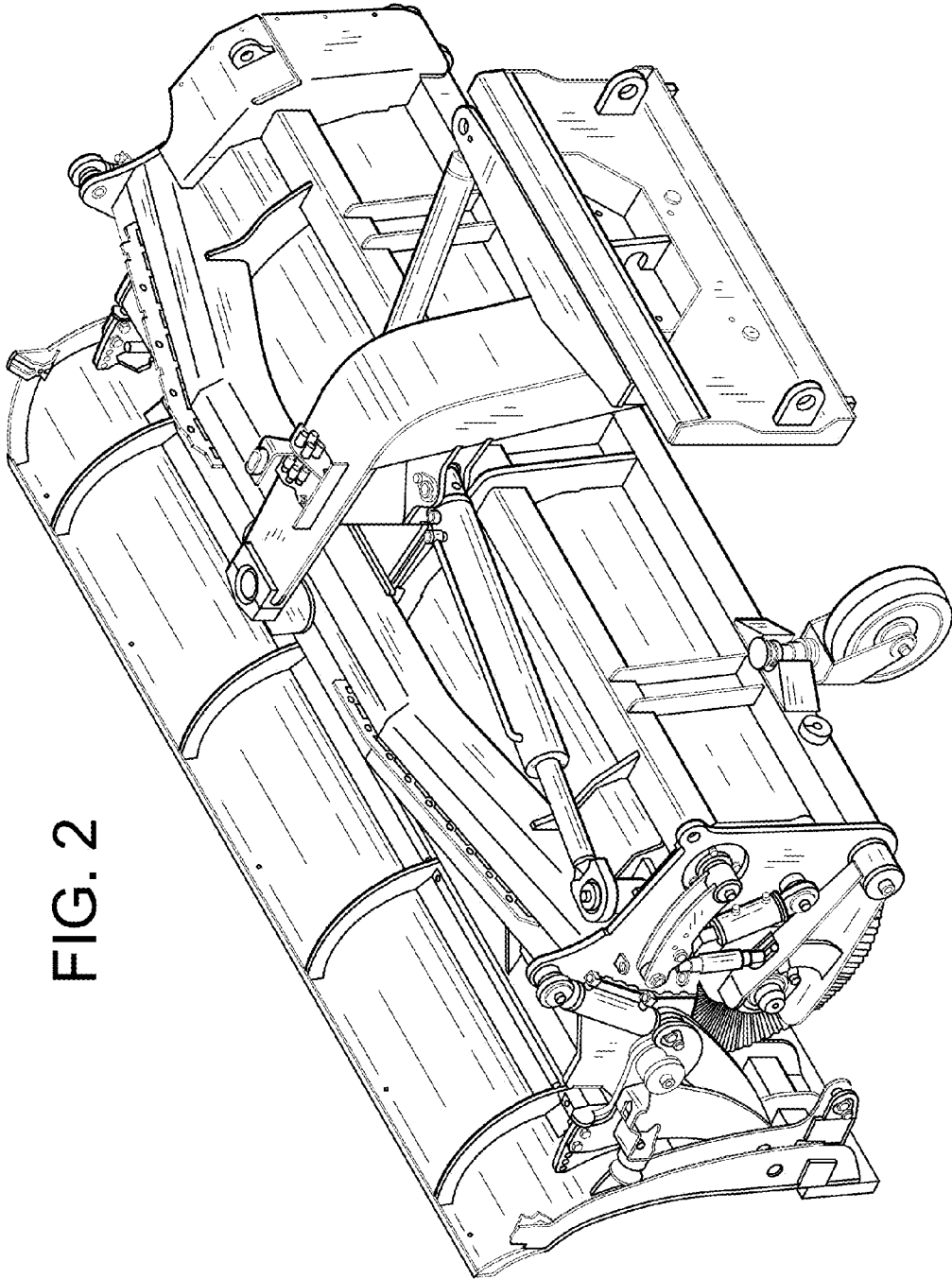


FIG. 2